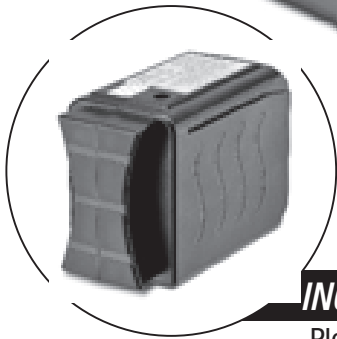


The Original
AirBedz[®]
Truck Bed Air Mattress



INCLUDES RECHARGEABLE BATTERY

Please follow charging instructions on page 2.

OWNER'S MANUAL

WARNING: THIS PRODUCT IS NOT FLAME RESISTANT. THIS BED CONTAINS PLASTIC. DO NOT PLACE AIR BED NEAR OPEN FLAME OR OTHER SOURCE OF IGNITION.

WARNING: This is not a toy. To avoid risk of fire, burns, injury or shock, it should not be played with or placed where small children can reach it.

NOTE: This product contains a lead-acid and/or Alkaline battery and must be fully charged on a monthly basis. Do not dispose of air pump and battery in fire. Check your local regulations for proper disposal instructions.

- Unplug adapter when not in use.
- Pump is an electrical device. Do not use in or around water.
- Do not attempt to disassemble, repair, or service the pump. No serviceable parts are contained inside.

WARNING:

- This is not a water toy or flotation device. Use as a bed only.
- Not recommended for use by children under three (3) years of age.
- This bed is not intended for infants or persons with limited mobility. They may roll off of the bed and become entrapped between the bed and the sides of the truck bed or walls and suffocate.
- Do not use this bed on abrasive surfaces or near pointed, sharp or protruding objects. Bed may puncture. Remove all sharp objects from area the bed will be used in.
- Do not step or jump on bed or use as a trampoline. Standing, jumping or walking on the bed may result in injury and/or damage or puncture the bed.
- Make sure truck bed is clean of any debris, sharp objects or protrusions or place bed in a safe area before use making sure that there are no sharp edges, steps, drops, or breakable items nearby. Use on flat surfaces only. Bed may tip over on uneven surfaces.
- Do not inflate or use mattress while vehicle is in motion.

CONTENTS

- | | |
|---|--|
| 1. AirBedz® air mattress with built-in pump | 6. *AirBedz® tailgate extension mattress |
| 2. Battery pack | 7. *AirBedz® hand pump |
| 3. AC charger | (*PPI-104 and PPI-105 ONLY) |
| 4. Carrying bag | |
| 5. Repair patch kit includes glue | |

SET UP GUIDE

CHARGING PUMP

DO NOT CHARGE THE BATTERY PACK FOR MORE THAN 2 HOURS WHEN USING THE DC CHARGER (Car Charger)! ** Available as an additional accessory - Part No. PPI-AC4* *****

1. CHARGE BATTERY PACK **(D)** BEFORE USE. Remove battery pack from pump housing. Charge battery pack for 10 hours prior to initial use using the included home AC charger.
2. DO NOT OVER-CHARGE THE BATTERY PACK for over 12 hours.
3. RE-CHARGING TIP – For best results, battery pack will need to be recharged for 8 hours after each 20-minute use.

STORAGE AND MAINTENANCE OF BATTERY PACK:

Store the battery in a cool, dry location and protected from the elements.

During Storage, occasionally charge your battery pack to keep it working as efficient as possible. Failure to do so will extinguish the life of the battery pack and the ability to maintain a “full” charge.

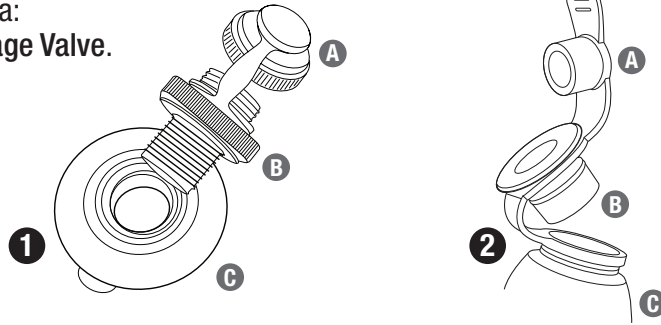
SET UP GUIDE (cont.)

Depending on production date, your AirBedz mattress may be equipped with either a:

(1) Boston Style Valve or a (2) Two Stage Valve.

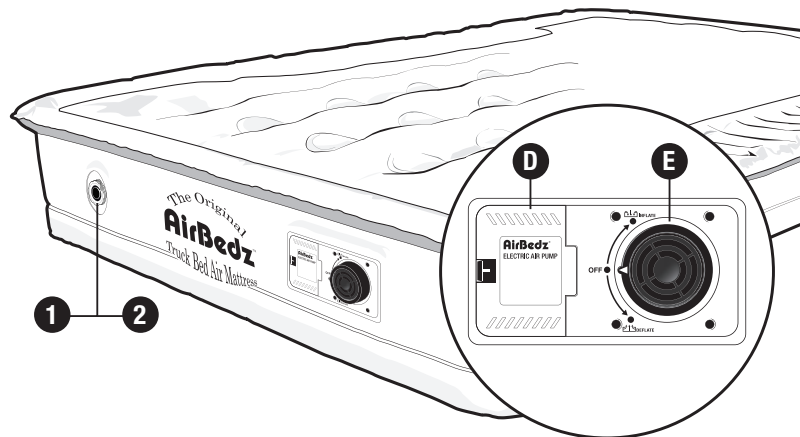
Both of these valves are constructed in three parts:

- A. Valve Cap
- B. Middle Valve
- C. Bladder Valve



INFLATION

1. Place your bed in the back of truck bed or on a flat surface free of debris, obstructions and sharp objects.
2. Make sure valve cap (A) and middle valve (B) are screwed/pushed into (C).
3. Turn inflate/deflate valve (E) to the inflate position to inflate mattress.
4. Once desired firmness has been achieved, turn inflate/deflate valve (E) to the "OFF" position to turn pump off.



OPTIONAL INFLATION PROCEDURE

Each AirBedz® air mattress comes with a secondary inflate/deflate valve (A) for use with portable air pumps as a back up to the installed automatic pump. To use a portable air pump, follow these instructions:

1. Open valve cap (A) and insert inflate end of portable pump into the middle valve (B). (Use proper adapter fitting if needed)
2. Ensure inflate/deflate valve (E) is in the off position.
3. Remove portable pump and switch off. (Fill valve has a built in stopper that will automatically close when pump is removed stopping any air loss)
4. Replace valve cap and close finger tight only. **DO NOT OVER TIGHTEN VALVE CAP!**

DEFLATION

NOTE: DEFLATE AIR MATTRESS SLIGHTLY BEFORE REMOVING FROM TRUCK BED TO AVOID SNAGGING OR TEARING MATTRESS ON TRUCK BED. IT IS BETTER TO FULLY DEFLATE MATTRESS IN PLACE TO AVOID DAMAGE.

1. Turn inflate/deflate valve (E) to the deflate position to deflate mattress.
2. Deflate until bed is fully deflated. (For faster deflation, open secondary inflate/deflate valve (1 or 2).
3. Turn inflate/deflate valve (E) to the "OFF" position to turn pump off.
4. Fold bed according to Folding Instructions on page 5, place into carrying bag for storage until next use.

The AirBedz® Tailgate Extension Mattress allows you to use the entire bed of the truck with the tailgate down. This is perfect for that always needed additional sleeping area.

INFLATION OF TAILGATE EXTENSION MATTRESS

PPI-104 and PPI-105 ONLY!

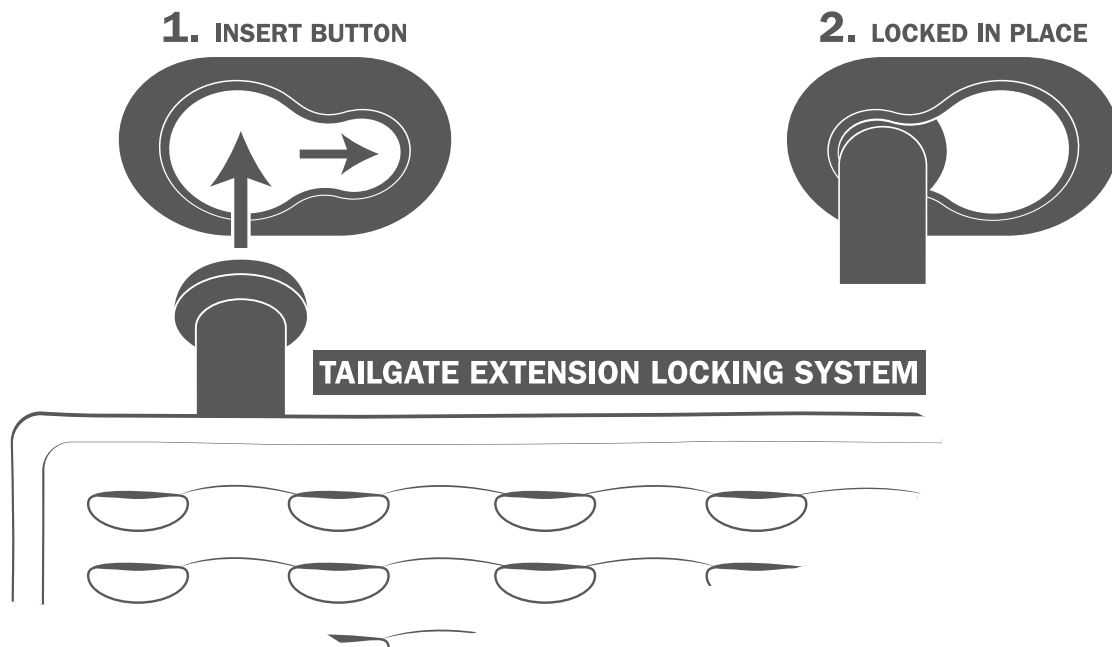
1. Place your tailgate extension mattress on a flat surface free of debris, obstructions and sharp objects.
2. Make sure middle valve **(B)** is inserted into bladder valve **(C)** securely.
3. Insert hand pump nozzle into middle valve **(B)** and inflate to desired firmness.
4. Remove pump and push valve cap **(A)** into middle valve **(B)** firmly.

ATTACHMENT OF TAILGATE EXTENSION MATTRESS

PPI-104 and PPI-105 ONLY!

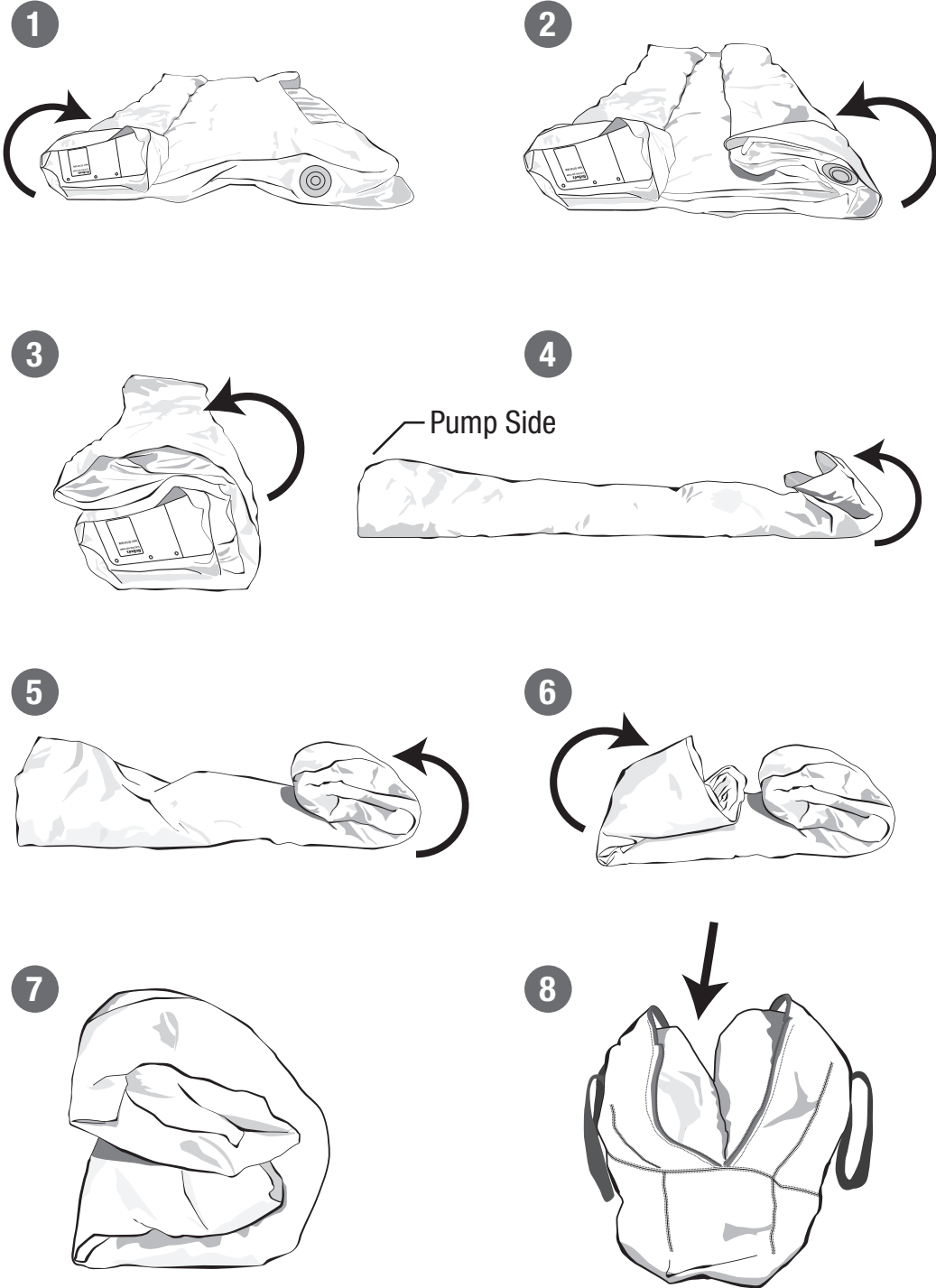
Once your tailgate extension mattress is fully inflated, locate the locking system on your AirBedz® and tailgate extension mattress.

1. Locate the button which is attached to the tailgate extension.
2. Making sure both mattresses are facing coil side up, insert the button into the larger opening of the female clasp located on the AirBedz® mattress.
3. Slide the button to the smaller portion of the clasp so it locks in place.
4. Repeat these steps for the other side.
5. Your AirBedz mattress and tailgate extension are now ready to be used.



FOLDING INSTRUCTIONS

Upon complete deflation, lay bed on flat surface with sleeping surface facing upwards and fold according to the steps below.



**Bag may vary from illustration*

CARE AND MAINTENANCE

1. Inspect your bed before each use.
2. Keep your bed away from any sharp or protruding objects. Large cuts, tears or snags may not be repairable and will not be covered by your warranty.
3. A repair patch kit has been included in case of incidental damage to your bed. Please follow repair instructions carefully.
4. When not in use store bed in a clean, dry place out of extreme temperatures.

CLEANING

DO NOT SUBMERGE MATTRESS IN WATER! For spot cleaning, use a clean damp cloth to wipe the surface of the mattress. Apply a clear liquid dish detergent without dye if necessary. Wet stained area thoroughly; gently massage stained area with detergent. Blot the area to remove staining substance. Rinse thoroughly and blot dry. Allow your bed to air dry completely after cleaning and before storing.

ADDITIONAL INFORMATION

IN CASE OF AIR LEAKAGE

Please check the following if there is an air leak.

1. Is the inflate/deflate valve on built in pump turned to the “OFF” position?
2. Is the secondary inflate/deflate valve cap closed?

A repair patch kit has been included for minor repairs. *(Includes patches and glue)*

REPAIRING AN AIR LEAK

1. Wipe bed with mild soap water over area to find possible air leak.
DO NOT SUBMERGE MATTRESS IN WATER! If there is a leak bubbles will form around leakage area.
2. Follow cleaning instructions for leak area.
3. Use included patch kit to cut a suitable sized patch for leak. Make sure to round the edges of repair patch to avoid peeling.
4. Apply glue to patch area and around leakage area.
5. Press patch firmly over the puncture area.
6. Wait 24 hours before inflating.

To prevent patch from peeling while drying....

It is recommended to tape down patch edges with a light adhesive tape.