



Installation Instructions

For Part Numbers:

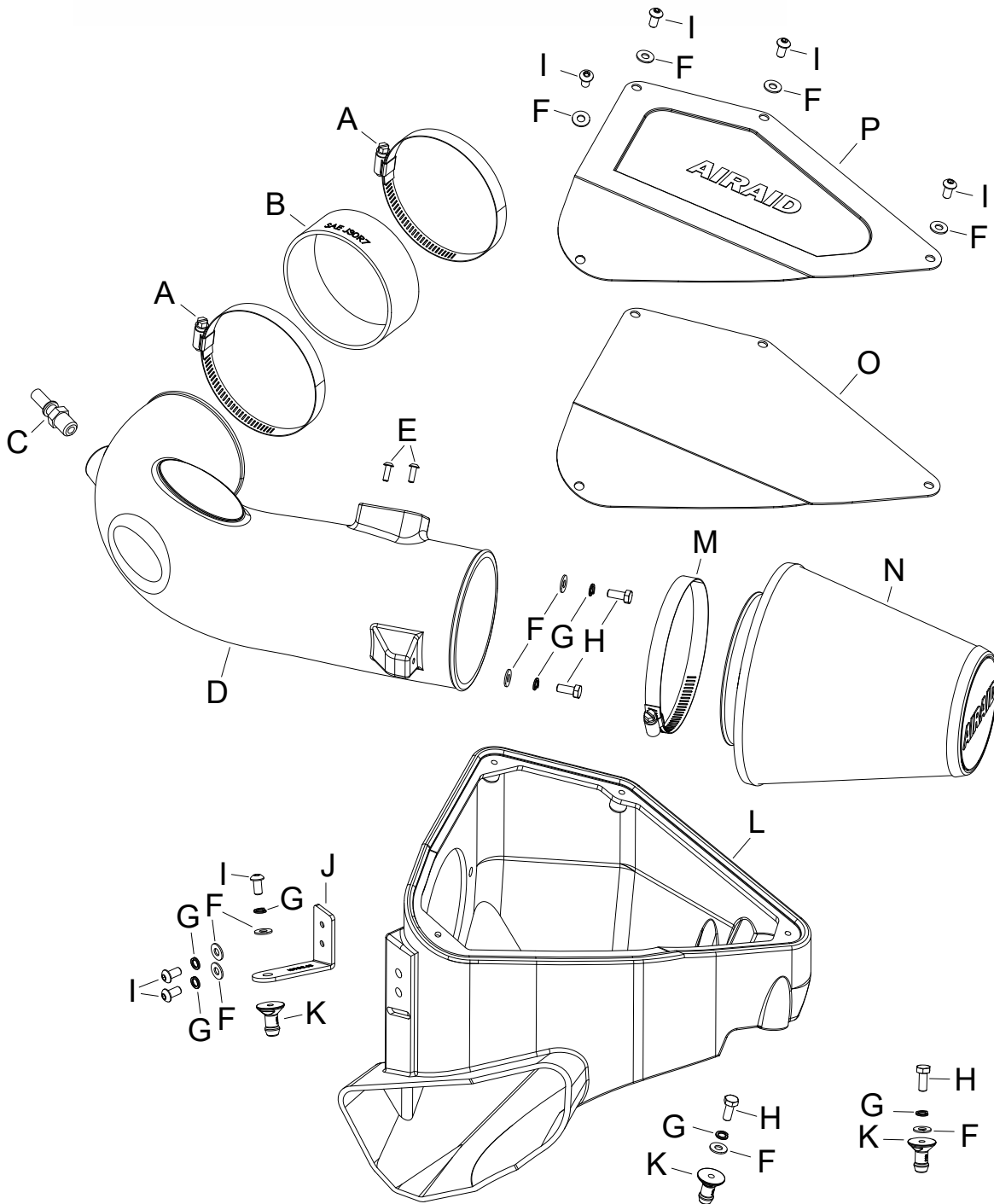
250-334 700-505 Airaid Oiled Media Filter

251-334 701-505 SynthaMax Dry Media Filter - Red

2016-19 CADILLAC CTS-V

V8-6.2L Supercharged

NOT LEGAL FOR SALE OR USE ON ANY POLLUTION CONTROLLED MOTOR VEHICLE IN CALIFORNIA OR STATES ADOPTING CALIFORNIA EMISSION PROCEDURES.



Component Identification

Description	Qty.	Part #
A	2	08645
B	1	08761
C	1	08938
D	1	KIT334A
E	2	07741
F	11	08269
G	7	1-3025
H	4	07812
I	7	07730
J	1	KIT334BC
K	3	8-186-1
L	1	KIT334CABA
M	1	KITHS72
N	1	700/701-505
O	1	KIT334G
P	1	KIT334LID

TO START:

1. Turn off the ignition and disconnect the negative battery cable.

NOTE: Disconnecting the negative battery cable erases pre-programmed electronic memories. Write down all memory settings before disconnecting the negative battery cable. Some radios will require an anti-theft code to be entered after the battery is reconnected. The anti-theft code is typically supplied with your owner's manual. In the event your vehicles anti-theft code cannot be recovered, contact an authorized dealership to obtain your vehicles anti-theft code.



2. Disconnect the mass air sensor electrical connection.



3. Disconnect the crank case vent line and loosen the hose clamp that secures the intake tube to the throttle body. Remove the complete intake system from the vehicle.

NOTE: AIRAID recommends that customers do not discard factory air intake.



4. Install the provided mounting bracket through the cutout line in the AIRAID® air box and then secure with the provided hardware. Install the provided mounting studs onto the bracket and onto the air filter housing as shown.



5. Install the AIRAID® air filter housing into the vehicle so the mounting studs engage the factory mounting grommets.



6. Remove the mass air sensor from the factory air filter housing and install it into the AIRAID® intake tube using the provided hardware.

Continued...



7. Install the provided quick disconnect fitting into the AIRAID® intake tube and then apply the provided decal onto the intake tube.

NOTE: Plastic NPT fittings are easy to cross thread. Install the vent fitting “hand” tight, then turn it two complete turns with a wrench.



8. Install the provided coupler hose (08761) onto the throttle body and secure with the provided hose clamp.



9. Install the intake tube into the air filter housing and then into the coupler on the throttle body, secure the tube to the filter housing using the provided hardware and then secure the tube to the coupler with the provided hose clamp.



10. Connect the vent line to the quick disconnect fitting installed into the AIRAID® intake tube.



11. Install the AIRAID® air filter onto the intake tube and secure with the provided hose clamp.



12. Reconnect the mass air sensor electrical connection.



13. Install the provided gasket onto the air box lid, then install the lid onto the air box and secure with the provided hardware.



14. Double check your work!

Make sure there is no foreign material in the intake path. Make sure all clamps, hoses, bolts, and screws are tight. Double check the hood clearance!

Reconnect the negative battery cable!

Your Airaid Intake System was carefully inspected and packaged. Check that no parts are missing, or were damaged during shipping. If any parts are missing, contact Airaid.

The air filter element is protected from direct exposure to water and debris; care should be taken not to drive through deep water.

WATER INGESTION IS THE DRIVERS RESPONSIBILITY! The air filter is reusable and should be cleaned periodically.

FILTER IDENTIFICATION

700-505 Airaid Oiled Media

701-505 Airaid SynthaMax Dry Media - Red

For your Oiled media filter we offer the Airaid Tune Up Kit!



P/N 790-551 Aerosol Spray
P/N 790-550 Squeeze Spray



NOT LEGAL FOR SALE OR USE ON ANY POLLUTION CONTROLLED MOTOR VEHICLE IN CALIFORNIA OR STATES ADOPTING CALIFORNIA EMISSION PROCEDURES.

SynthaMax

Synthamax Air Filters **do not** require oil. Service air filter as needed by cleaning with common non-petroleum all-purpose household cleaner and water. Simple Green®, Formula 409® or equivalent works great. Apply cleaner to outside of air filter and allow to soak. Then flush filter clean from the inside out with a garden hose and repeat steps if necessary. Do not apply high pressure water or air to clean filter. Allow filter to air dry and reinstall.

Find out more about performance air intake systems we have.