

Airaid

INSTALLATION INSTRUCTIONS

200-782 850-083 Airaid Oiled Media Filter

201-782 851-083 SynthaMax Dry Media Filter

2019 CHEVROLET Silverado 1500

2019 GMC Sierra 1500

V8-5.3 / 6.2L

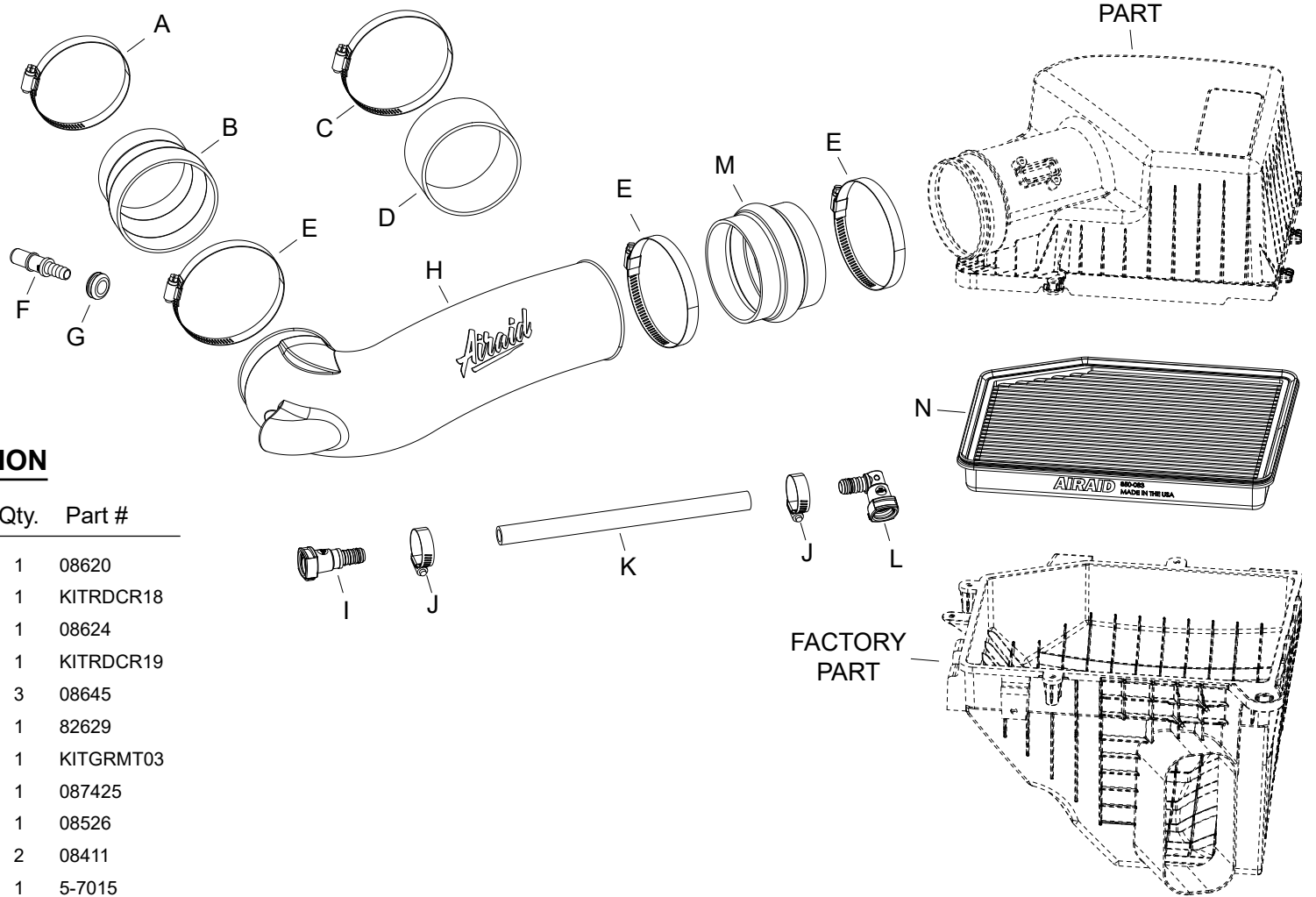
NOT LEGAL FOR SALE OR USE ON ANY POLLUTION CONTROLLED MOTOR VEHICLE IN CALIFORNIA OR STATES ADOPTING CALIFORNIA EMISSION PROCEDURES.

TOOLS NEEDED:

Flat blade screw driver

COMPONENT IDENTIFICATION

Description	Qty.	Part #
A HOSE CLAMP; #56	1	08620
B REDUCER; 4"ID X 3.5"ID X 3"L	1	KITRDCR18
C HOSE CLAMP; #60	1	08624
D REDUCER; 4"ID X 3.875"ID	1	KITRDCR19
E HOSE CLAMP; #64, STAINLESS	3	08645
F FITTING; VENT 1/2" BARB	1	82629
G GROMMET; 1/2"ID - 1"OD (104)	1	KITGRMT03
H TUBE; INTAKE, 20%-782	1	087425
I VENT; STRT QUICK DISC.	1	08526
J HOSE CLAMP; #10 MINI	2	08411
K HOSE; 5/8"ID X 15"L	1	5-7015
L FITTING; ELBOW, PCV 90°	1	KITFITTING33
M HUMP HOSE; 4"ID X 3"L	1	KITHUMPHS22
N AIR FILTER	1	850/851-083



TO START:

1. Turn off the ignition and disconnect the negative battery cable.

NOTE: Disconnecting the negative battery cable erases pre-programmed electronic memories. Write down all memory settings before disconnecting the negative battery cable. Some radios will require an anti-theft code to be entered after the battery is reconnected. The anti-theft code is typically supplied with your owner's manual. In the event your vehicles anti-theft code cannot be recovered, contact an authorized dealership to obtain your vehicles anti-theft code.



2. Depress the locking tabs and then remove the crank case vent hose assembly.



3. Loosen the two hose clamps that secure the intake plenum to the throttle body and then remove the intake plenum from the vehicle.

NOTE: AIRAID® recommends that customers do not discard factory air intake.



4. Loosen the three screws that secure the air filter housing lid and then lift up the housing and set aside.



5. Remove the factory air filter and replace with the AIRAID® air filter provided. Reinstall the air filter housing lid and secure with the factory screws.



6. Install the provided coupler onto the throttle body. 5.3L engines will use the smaller coupler and 6.2L engines will use the larger coupler.

Continued...



7. Install the provided hump coupler onto the filter housing and secure with the provided hose clamp.



8. Install the provided grommet and quick connect fitting into the AIRAID® intake tube as shown.



9. Install the AIRAID® intake tube into the hump coupler and then the coupler at the throttle body, adjust the tube for best fit and secure with the provided hose clamps.



10. Assemble the crank case hose assembly as shown.



11. Install the crank case hose assembly onto the quick connect fittings on the intake tube and valve cover as shown.



12. Double check your work!

Make sure there is no foreign material in the intake path. Make sure all clamps, hoses, bolts, and screws are tight. Double check the hood clearance! **Reconnect the negative battery cable!**

13. **NOTE:** Most General Motors vehicles have the Vehicle Emissions Certification Information (VECI) label affixed to the air filter box. In order to be compliant with California emissions laws, the label **MUST** remain in the engine compartment. If the Vehicle Emission Control Information label is removed during modification, a new replacement label must be obtained and installed in a readily visible position in the engine compartment. The label shall not be affixed to any equipment which is easily detached from the vehicle. We recommend that the label is affixed to the underside of the hood adjacent to the hood latch. The label is Vehicle Identification Number dependent and can be ordered from the vehicle dealership. In order to receive the proper decal please bring your VIN with you. Failure to have the VECI under the hood may result in failure of a pre-registration smog test.

For your Oiled media filter we offer the Airaid Tune Up Kit!



P/N 790-551 Aerosol Spray
P/N 790-550 Squeeze Spray



NOT LEGAL FOR SALE OR USE ON ANY POLLUTION CONTROLLED MOTOR VEHICLE IN CALIFORNIA OR STATES ADOPTING CALIFORNIA EMISSION PROCEDURES.

SynthaMax®

Synthamax Air Filters **do not** require oil. Service air filter as needed by cleaning with common non-petroleum all-purpose household cleaner and water. Simple Green®, Formula 409® or equivalent works great. Apply cleaner to outside of air filter and allow to soak. Then flush filter clean from the inside out with a garden hose and repeat steps if necessary. Do not apply high pressure water or air to clean filter. Allow filter to air dry and reinstall.