



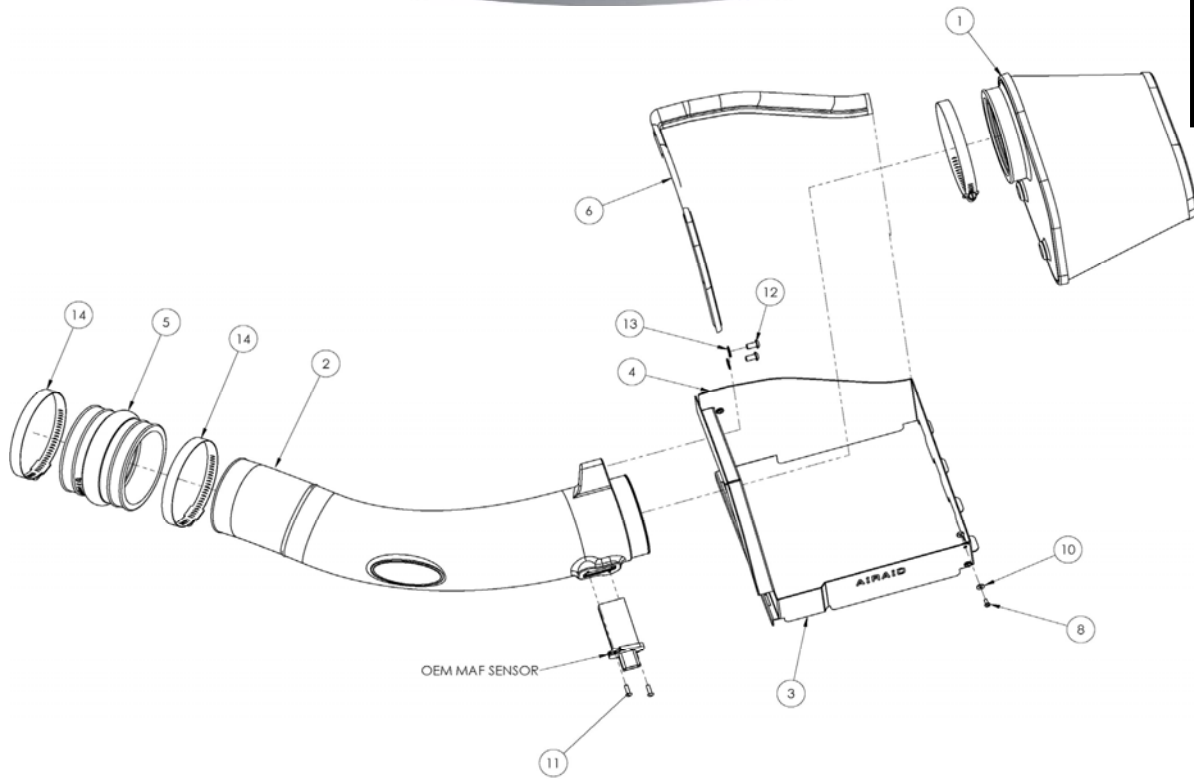
Installation Instructions

For Part Numbers:

- 400-273 720-478 Airaid Oiled Media Filter
- 401-273 721-478 SynthaMax Dry Media Filter - Red
- 402-273 722-478 SynthaMax Dry Media Filter - Black
- 403-273 723-478 SynthaMax Dry Media Filter - Blue

2011-13 Ford Super Duty F-250/F-350
6.2L V8

NOT LEGAL FOR SALE OR USE ON ANY POLLUTION CONTROLLED MOTOR VEHICLE IN CALIFORNIA OR STATES ADOPTING CALIFORNIA EMISSION PROCEDURES.



Component Identification

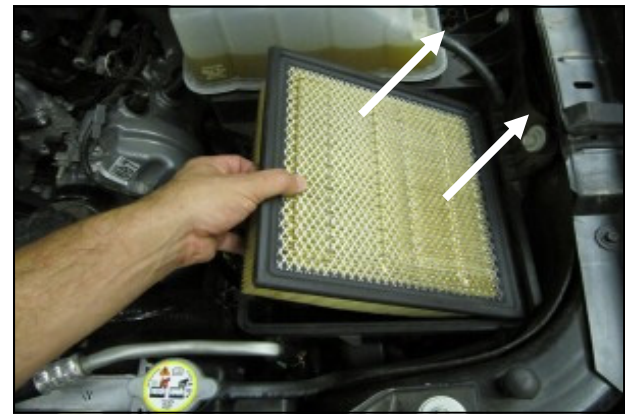
1.	Airaid Premium Filter	1
2.	Airaid Intake Tube	1
3.	Front Panel	1
4.	Rear Panel	1
5.	Urethane Hump Hose	1
6.	Weather Strip 22 1/2"	1
7.	Split Loom 20"	1
8.	6-32 x 5/16" Screw	4
9.	6-32 Keps Nut	4
10.	#6 Flat Washer	4
11.	8-32 x 1/2" Button Head Screw	2
12.	1/4-20 x 1/2" Button Head Bolt	2
13.	1/4" Flat Washer	2
14.	#68 Hose Clamp	2
15.	T-20 Torx Driver	1
16.	Airaid Foil Decal	1
17.	Airaid Bubble Decal	1



1. Disconnect the negative battery cable!
Loosen the two intake clamps, unclip the coolant line, and remove the Factory intake tube.



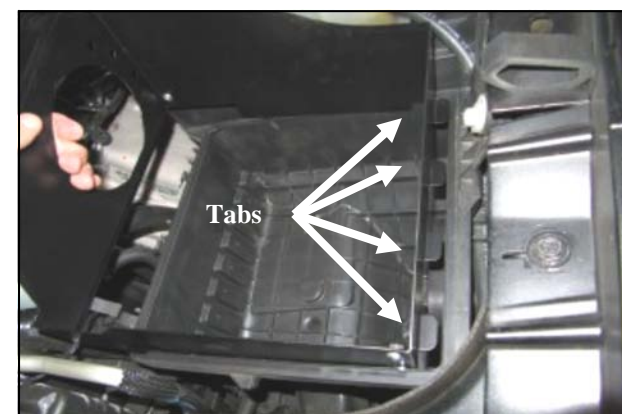
2. A.) Disconnect the Mass Air Flow (MAF) Sensor.
B.) Unfasten the three airbox clips on the left side, and remove the upper half of the factory airbox.



3. Remove the factory air filter from the lower half of the airbox.



4. Assemble the two Quick Fit panels (#3 & #4) as shown using four 6-32 screws (#7) flat washers (#9) and keps nuts (#8). Apply the Airaid Foil Decal onto the Panel as shown.
Note: Tab is outside



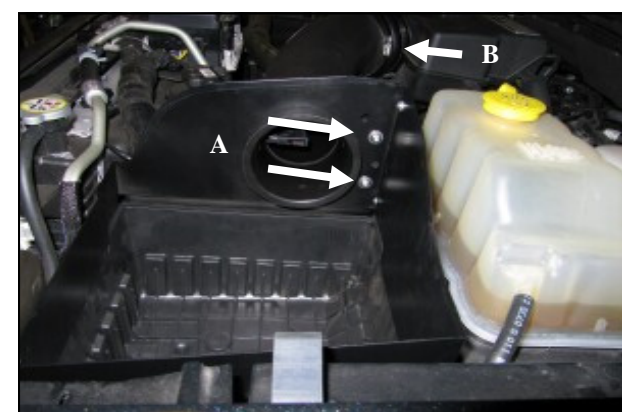
5. Install the assembly onto the lower half of the factory airbox. Slide the metal tabs into the airbox slots, and fasten the 3 airbox clips.



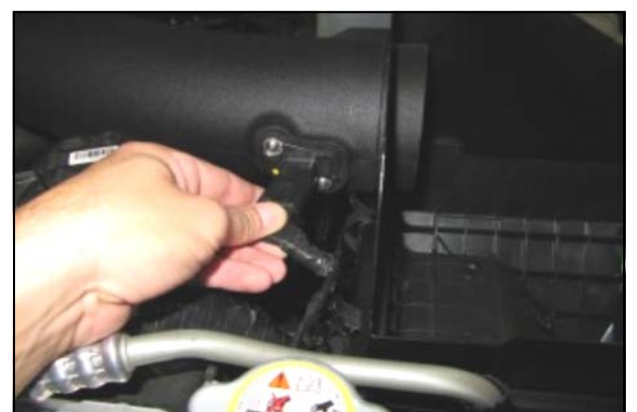
6. Transfer the MAF sensor into the Airaid Intake Tube (#2) and secure using two 8-32 x 1/2" button head screws (#10). **Do Not Use The Factory Torx Head Screws**



7. Install the Hump Hose (#5), and the clamps (#13) onto the Intake Tube. Slide the hump hose and clamps down the tube as far as they will go and leave the clamps loose for now. Apply the Airaid Bubble Decal inside the Airbox as shown.



8. A.) Mount the Intake Tube to the Rear Panel using the two 1/4-20 Button Head Bolts (#11) and 1/4" Flat washers (#12).
B.) Slide the Hump Hose and clamps onto the engine air inlet, check for alignment, and tighten the clamps.



9. Re connect the Mass Air Flow Sensor.



10. Slide the 20" section of Split Loom (#8) over the Coolant line to protect it from chaffing on the intake tube.



11. A) Install the Airaid Premium Filter (#1) to the mounting flange inside the quick fit assembly. **B)** Complete the installation by attaching the Weather Strip (#6) to the top of the panels as shown.

11. Double check your work!
Make sure there is no foreign material in the intake path. Make sure all clamps, hoses, bolts, and screws are tight.
Periodically check the tightness of all hose clamps.

12. Re-connect the negative battery cable!

Thank you for purchasing the Airaid Intake System. Your Airaid Intake System was carefully inspected and packaged. Check that no parts are missing, or were damaged during shipping. If any parts are missing, contact Airaid. The air filter element is protected from direct exposure to water and debris; care should be taken not to drive through deep water. **WA-T-E-R I-N-G-E-S-T-I-O-N I-S T-H-E D-R-I-V-E-R-S R-E-S-P-O-N-S-I-B-I-L-I-T-Y!** The air filter is reusable and should be cleaned periodically.

FILTER IDENTIFICATION

720-478 Airaid Oiled Media
722-478 Airaid SynthaMax Dry Media - Black

721-478 Airaid SynthaMax Dry Media - Red
723-478 Airaid SynthaMax Dry Media - Blue

For your Oiled media filter we suggest using the AIRAID Filter Tune-Up Kit!



P/N 790-551 Aerosol Spray
P/N 790-550 Squeeze Spray



Do Not Oil

Synthamax Air Filters do not require oil. Service air filter as needed by cleaning with common non-petroleum all-purpose household cleaner and water. Simple Green®, Formula 409® or equivalent works great. Apply cleaner to outside of air filter and allow to soak. Then flush filter clean from the inside out with a garden hose and repeat steps if necessary. Do not apply high pressure water or air to clean filter. Allow filter to air dry and reinstall.

