



# Installation Instructions

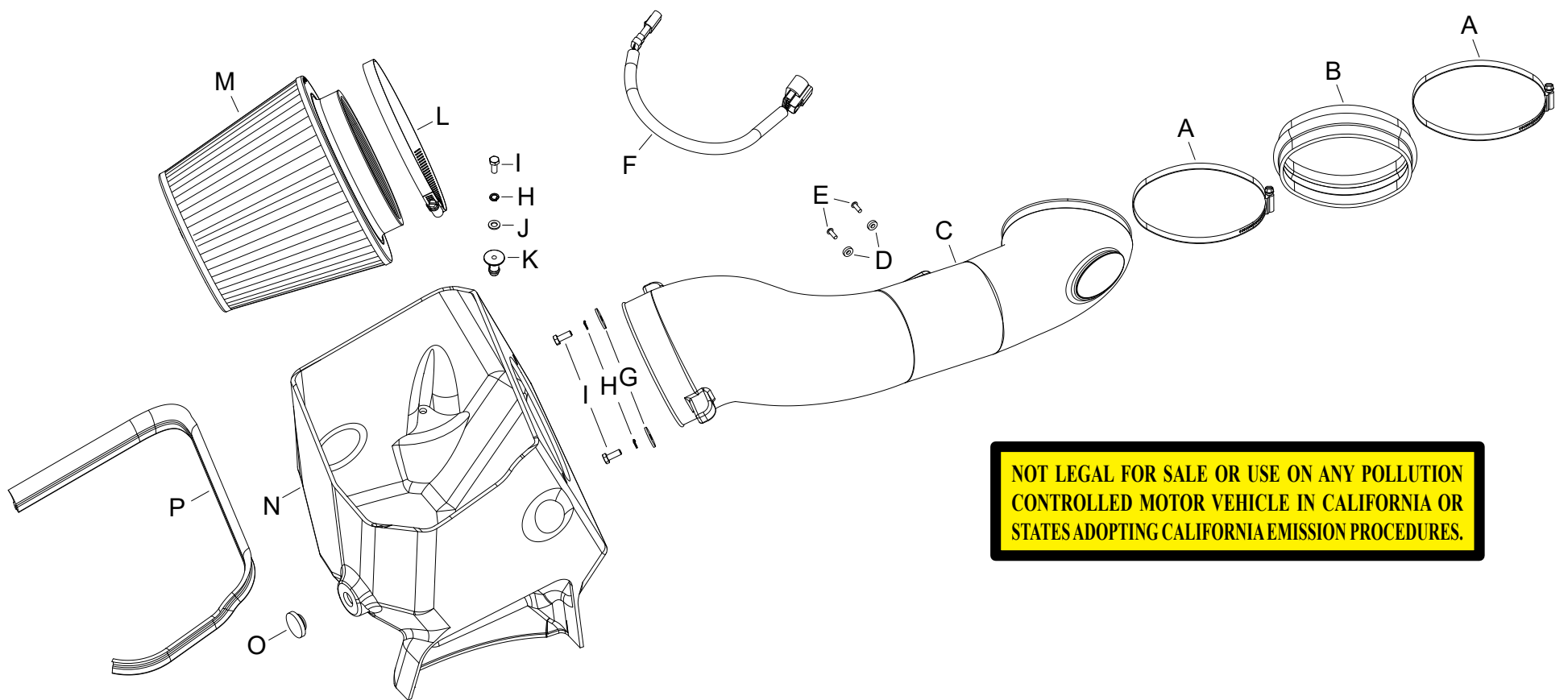
For Part Numbers:

400-279 700-510 Airaid Oiled Media Filter

401-279 701-510 SynthaMax Dry Media Filter - Red

2017-19 FORD F-250 / F-350 / F-450

V8-6.7L Turbo Diesel



**NOT LEGAL FOR SALE OR USE ON ANY POLLUTION CONTROLLED MOTOR VEHICLE IN CALIFORNIA OR STATES ADOPTING CALIFORNIA EMISSION PROCEDURES.**

## Component Identification

| Description                     | Qty. | Part # | Description                  | Qty. | Part #  | Description                 | Qty. | Part #      |
|---------------------------------|------|--------|------------------------------|------|---------|-----------------------------|------|-------------|
| A HOSE CLAMP #72                | 2    | 08671  | G WASHER; 1"D X 1/4 HOLE     | 2    | 08160   | M AIRAID FILTER             | 1    | 700/701-510 |
| B HOSE; HUMP 4.5"ID X 3"L       | 1    | 08695  | H WASHER, M6 SPLIT LOCK ZINC | 3    | 1-3025  | N AIR BOX                   | 1    | KIT279CAB   |
| C INTAKE TUBE                   | 1    | KIT279 | I BOLT; 6MM-1.00 X 16MM, SS  | 3    | 07812   | O PLUG; 1-3/16"OD, 11/16"ID | 1    | 21684-1     |
| D SPACER; .437"OD X .200"ID     | 2    | 06503  | J WASHER; 6MM FLAT, SS       | 1    | 08269   | P EDGE TRIM (26-3/8")       | 1    | KITSTRIP22  |
| E SCREW; M4- .7 X 12, BUTTON SS | 2    | 07726  | K MOUNT, PLASTIC AIRBOX      | 1    | 8-186-1 |                             |      |             |
| F MAF EXTENSION HARNESS         | 1    | 21780  | L HOSE CLAMP; #104           | 1    | 08697   |                             |      |             |

### TO START:

1. Turn off the ignition and disconnect the negative battery cable.

**NOTE: Disconnecting the negative battery cable erases pre-programmed electronic memories. Write down all memory settings before disconnecting the negative battery cable. Some radios will require an anti-theft code to be entered after the battery is reconnected. The anti-theft code is typically supplied with your owner's manual. In the event your vehicles anti-theft code cannot be recovered, contact an authorized dealership to obtain your vehicles anti-theft code.**



2. Disconnect the mass air sensor electrical connection.



3. Loosen the hose clamp that secures the factory intake tube to the turbo inlet, release the four clips that secure the upper air filter housing and then remove the assembly from the vehicle.



4. Remove the two bolts that secure the lower air filter housing to the mounting bracket, then pull the lower air filter housing straight up to dislodge it from the mounting grommets and remove it from the vehicle.  
**NOTE: AIRAID recommends that customers do not discard factory air intake.**

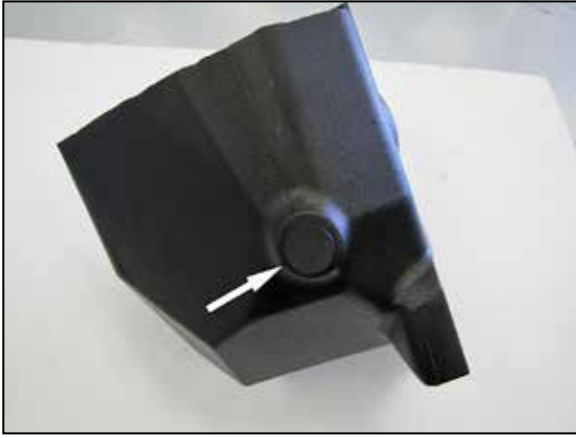


5. Remove the two bolts that secure the air filter housing mounting bracket to the inner fender and remove the bracket from the vehicle.



6. Install the provided air box mounting stud onto the AIRAID® housing using the provided hardware.

## Continued...



7. Install the provided bumper into the AIRAID® housing as shown.



8. Install the provided weather strip onto the AIRAID® housing as shown.

**NOTE: Some trimming of the edge trim will be necessary.**



9. Install the AIRAID® housing into the vehicle so the mounting stud inserts into the mounting grommet and the fresh air intake opening sits around the fresh air duct. **NOTE: Be sure not to pinch the wiring harness between the fresh air duct and AIRAID® housing.**



10. Install the provided coupler (08695) onto the turbo inlet and secure with the provided hose clamp.



11. Remove the mass air sensor from the factory air filter housing and install it into the AIRAID® intake tube using the provided hardware and spacers. Install the AIRAID® decal onto the intake tube.



12. Install the AIRAID® intake tube into the AIRAID® housing and into the coupler at the turbo inlet. Adjust the tube for best fit and then secure with the provided hardware and hose clamp.



13. Install the air filter onto the intake tube and secure with the provided hose clamp.



14. Reconnect the mass air sensor electrical connection.



**16. Double check your work!**

Make sure there is no foreign material in the intake path. Make sure all clamps, hoses, bolts, and screws are tight. Double check the hood clearance!

**Reconnect the negative battery cable!**

700-510 Airaid Oiled Media

### FILTER IDENTIFICATION

701-510 Airaid SynthaMax Dry Media - Red

For your Oiled media filter we offer the Airaid Tune Up Kit!



P/N 790-551 Aerosol Spray  
P/N 790-550 Squeeze Spray



**NOT LEGAL FOR SALE OR USE ON ANY POLLUTION CONTROLLED MOTOR VEHICLE IN CALIFORNIA OR STATES ADOPTING CALIFORNIA EMISSION PROCEDURES.**

*SynthaMax*

Synthamax Air Filters **do not** require oil. Service air filter as needed by cleaning with common non-petroleum all-purpose household cleaner and water. Simple Green®, Formula 409® or equivalent works great. Apply cleaner to outside of air filter and allow to soak. Then flush filter clean from the inside out with a garden hose and repeat steps if necessary. Do not apply high pressure water or air to clean filter. Allow filter to air dry and reinstall.