



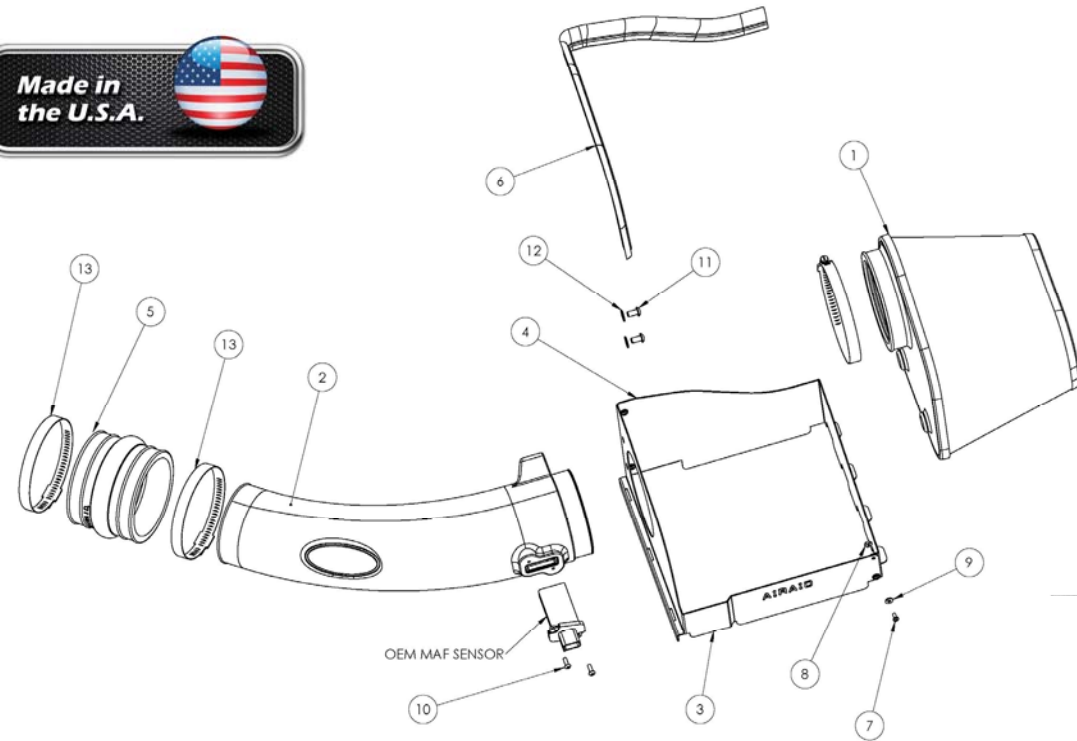
Installation Instructions

For Part Numbers:

400-272	720-478 Airaid Oiled Media Filter
401-272	721-478 SynthaMax Dry Media Filter - Red
402-272	722-478 SynthaMax Dry Media Filter - Black
403-272	723-478 SynthaMax Dry Media Filter - Blue

2010-14 SVT Ford Raptor 6.2L

2011-14 Ford F-150 6.2L



INTAKE SYSTEMS FOR VEHICLES LISTED ARE 50 STATE LEGAL. SEE CARB STATUS ON EACH PART FOR A SPECIFIC VEHICLE.

Component Identification

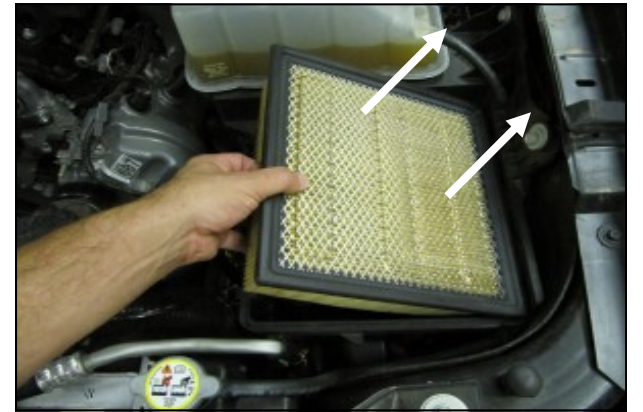
1.	Airaid Premium Filter	1
2.	Airaid Intake Tube	1
3.	Front Panel	1
4.	Rear Panel	1
5.	Urethane Hump Hose	1
6a.	Weather Strip Short	1
6b.	Weather strip Tall	1
7.	6-32 x 5/16" Screw	4
8.	6-32 Keps Nut	4
9.	#6 Flat Washer	4
10.	8-32 x 1/2" Button Head Screw	2
11.	8-32X 1/2" Button Head Bolt	2
12.	1/4" Flat Washer	2
13.	#68 Hose Clamp	2
14.	T-20 Torx Driver	1
15.	Airaid Bubble Decal	1
16.	Airaid Foil Decal	1



1. Disconnect the negative battery cable!
Loosen the two intake clamps and remove the Factory intake tube.



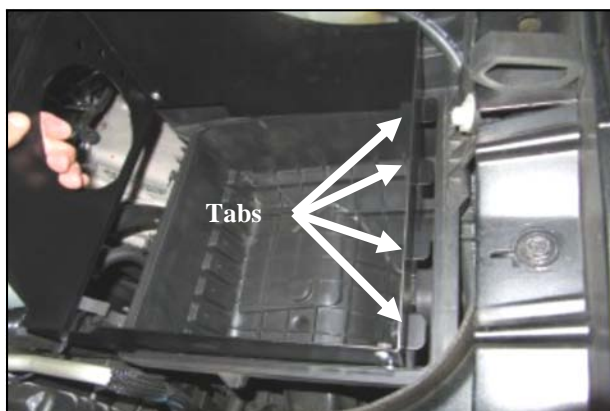
2. A.) Disconnect the Mass Air Flow (MAF) Sensor.
B.) Unfasten the three airbox clips on the left side, and remove the upper half of the factory airbox.



3. Remove the factory air filter from the lower half of the airbox.



4. Assemble the two Quick Fit panels (#3 & #4) as shown using four 6-32 screws (#7) flat washers (#9) and keps nuts (#8). Apply the Airaid Foil Decal to the Panel assembly as shown.



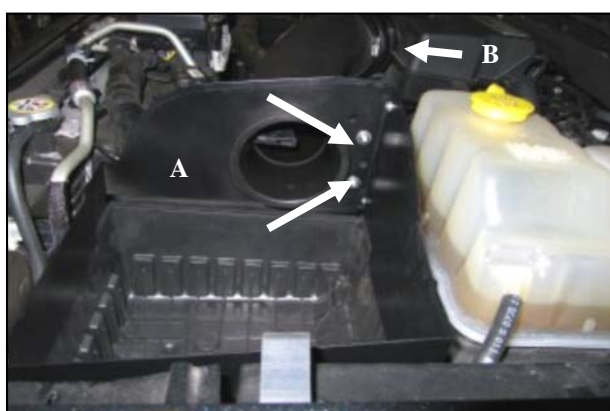
5. Install the assembly onto the lower half of the factory airbox. Slide the metal tabs into the airbox slots, and fasten the 3 airbox clips.



6. Transfer the MAF sensor into the Airaid Intake Tube (#2) and secure using two 8-32 x 1/2" button head screws (#10). **Do Not Use The Factory Torx Head Screws**



7. Install the Hump Hose (#5), and the clamps (#13) onto the Intake Tube. Slide the hump hose and clamps down the tube as far as they will go and leave the clamps loose for now. Apply the Airaid Bubble Decal to the Tube assembly as shown



8. A.) Mount the Intake Tube to the Rear Panel using the two 1/4-20 Button Head Bolts (#11) and 1/4" Flat washers (#12).
B.) Slide the Hump Hose and clamps onto the engine air inlet, check for alignment, and tighten the clamps.



9. Re connect the Mass Air Flow Sensor.



10. Install the Airaid Premium Filter (#1) to the mounting flange inside the quick fit assembly.

For **SVT Raptor** vehicles:

Complete the installation by attaching the Short Weather Strip (#6a) to the top of the panels as shown.



11. For F-150 Harley Davidson, Lariat, and Platinum models:

Complete the installation by attaching the Tall Weather Strip (#6b) to the top of the panel as shown.

12. Double check your work!

Make sure there is no foreign material in the intake path. Make sure all clamps, hoses, bolts, and screws are tight.

Periodically check the tightness of all hose clamps.

13. Re-connect the negative battery cable!

Thank you for purchasing the Airaid Intake System. Your Airaid Intake System was carefully inspected and packaged. Check that no parts are missing, or were damaged during shipping. If any parts are missing, contact Airaid. The air filter element is protected from direct exposure to water and debris; care should be taken not to drive through deep water. **WATER INGESTION IS THE DRIVERS RESPONSIBILITY!** The air filter is reusable and should be cleaned periodically.

FILTER IDENTIFICATION

720-478 Airaid Oiled Media
722-478 Airaid SynthaMax Dry Media - Black

721-478 Airaid SynthaMax Dry Media - Red
723-478 Airaid SynthaMax Dry Media - Blue

For your Oiled media filter we suggest using the AIRAID Filter Tune-Up Kit!



Do Not Oil



Synthamax Air Filters do not require oil. Service air filter as needed by cleaning with common non-petroleum all-purpose household cleaner and water. Simple Green®, Formula 409® or equivalent works great. Apply cleaner to outside of air filter and allow to soak. Then flush filter clean from the inside out with a garden hose and repeat steps if necessary. Do not apply high pressure water or air to clean filter. Allow filter to air dry and reinstall.

**P/N 790-551 Aerosol Spray
P/N 790-550 Squeeze Spray**