



## Installation Instructions

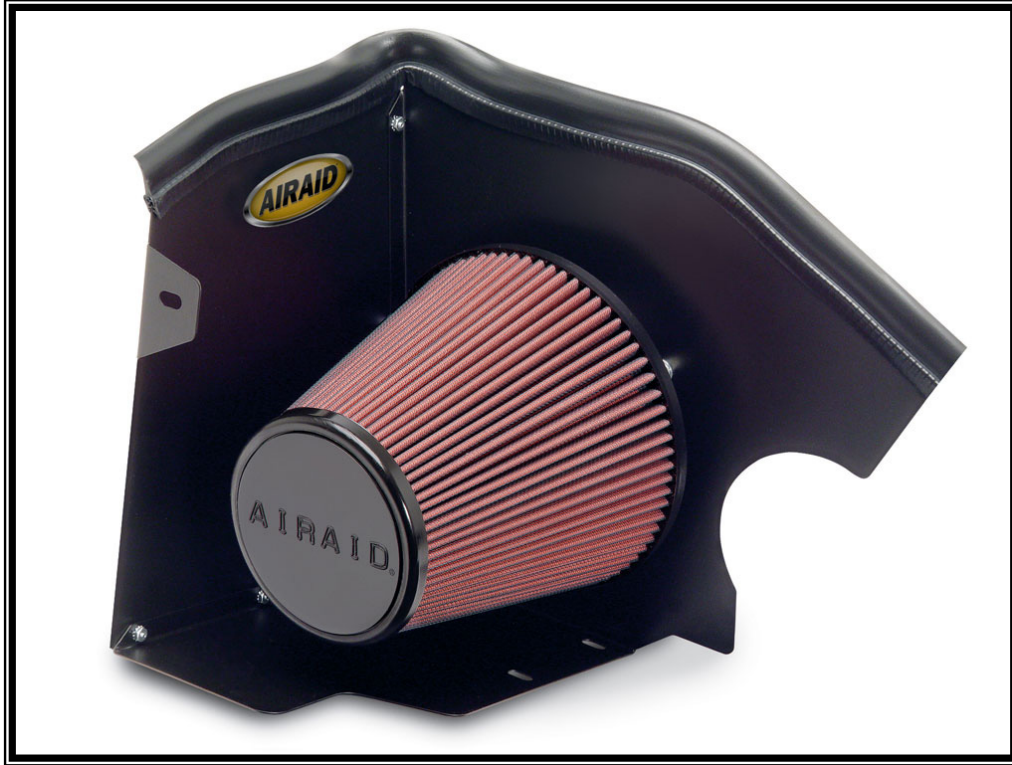
For Part Numbers:

- 400-114 700-445 Airaid Oiled Media Filter
- 401-114 701-445 SynthaMax Dry Media Filter - Red
- 402-114 702-445 SynthaMax Dry Media Filter - Black
- 403-114 703-445 SynthaMax Dry Media Filter - Blue

1999- June 04 Ford F-250/F-350 Super Duty Pickup 5.4L V8, 6.8L V10

2000- June 04 Ford Excursion 5.4L V8, 6.8L V10

\*Does not fit vehicles produced after June 2004



INTAKE SYSTEMS FOR VEHICLES LISTED ARE 50 STATE LEGAL. SEE CARB STATUS ON EACH PART FOR A SPECIFIC VEHICLE.

### Component Identification

1.	Filter	1
2.	Rear Back Panel	1
3.	Left Side Panel	1
4.	Filter Adapter	1
5.	Hardware Pack	1
6.	Weather Strip	1
7.	Bushing	3
8.	Gasket 4.5"	1
9.	1/4"x20x7/8" Bolts	3
10.	1/4"x20 Nuts	3
11.	1/4" Washers	6
12.	32x5/16" Screw	6
13.	6/32 Nuts	6
14.	#6 Washer	6
15.	Airaid Decal	1

### I DISCONNECT NEGATIVE (-) BATTERY CABLE.

### II Remove air filter.

- a) Loosen clamp and separate. Remove filter.
- b) Remove the FRONT half of air box, simply "pull up" to release. No tools needed. **See Fig#2**
- c) These parts are not reinstalled in Airaid kit.
- d) **CAUTION: Do Not remove the REAR half of the air box or the "V"-BAND CLAMP.**

### III Remove air cleaner bracket.

- a) Unbolt the 4 retaining bolts (10mm), and remove the bracket (**See Fig#2**) from the engine compartment.
- b) Save the 4 bolts to reuse later. The bracket is not reused.

### IV Assemble Airaid Cool Air Dam.

- a) Bolt the two panels together with the supplied #6 hardware. **See Fig#1**
- b) Bolt the Filter Adapter to the Back Panel with the supplied 1/4" hardware. Apply the Airaid Foil Decal onto the Panel as shown.

### V Install in vehicle.

- a) Set in place of the removed bracket.
- b) Use the 4 saved 10mm bolts to fasten the Airaid assembly into the existing bracket mounting holes.

### VI Connect to Airaid.

- a) Slip supplied Rubber Gasket onto the 4.5" stub on the end of the Airaid assembly. This gasket will make a seal between the Airaid and the stock rear half once connected. **Be sure gasket is in place.**
- b) Slide stock rear half toward the Airaid and secure with the factory "V"-BAND CLAMP.
- c) Press weather seal on to top edge of air box.

### VII Finishing up

- a) **Check that no foreign objects are in the intake path.**
- b) Check throttle linkage for full open and closed travel.
- c) Reconnect battery terminal. Enjoy!

Figure #1

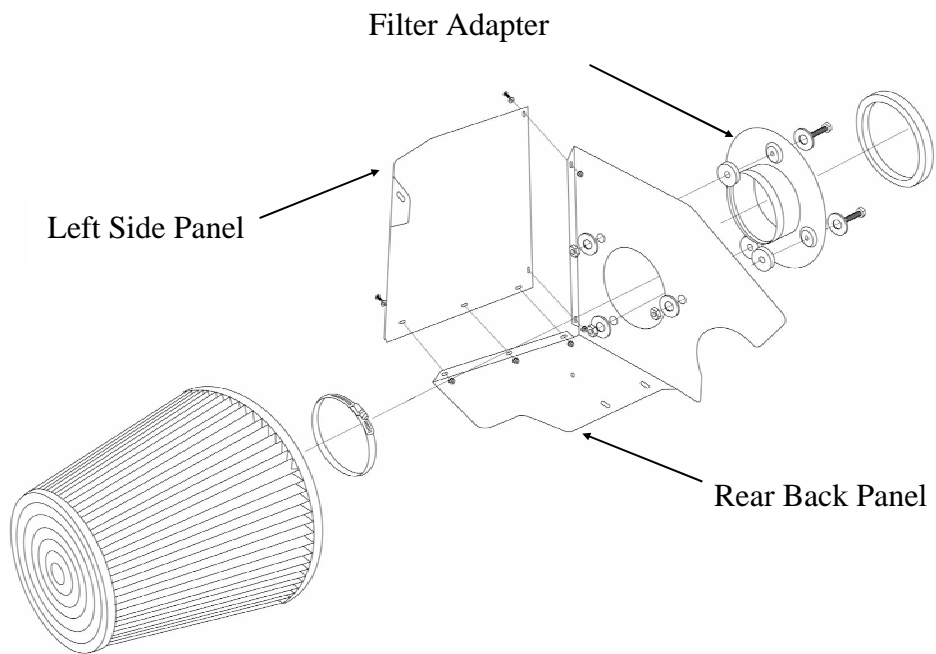
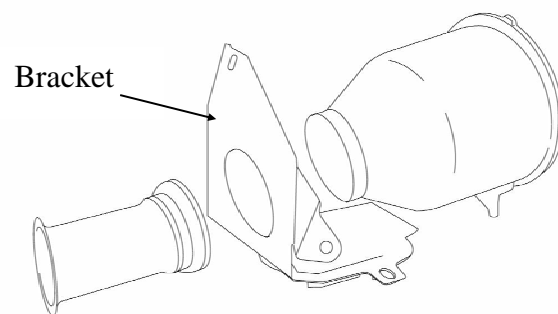


Figure #2



Thank you for purchasing the Airaid Intake System. Your Airaid Intake System was carefully inspected and packaged. Check that no parts are missing, or were damaged during shipping. If any parts are missing, contact Airaid. The air filter element is protected from direct exposure to water and debris; care should be taken not to drive through deep water. **WATER INGESTION IS THE DRIVERS RESPONSIBILITY!** The air filter is reusable and should be cleaned periodically.

### FILTER IDENTIFICATION

700-445 Airaid Oiled Media  
702-445 Airaid SynthaMax Dry Media - Black

701-445 Airaid SynthaMax Dry Media - Red  
703-445 Airaid SynthaMax Dry Media - Blue

For your Oiled media filter we suggest using the AIRAID Filter Tune-Up Kit!



### Do Not Oil



Synthamax Air Filters do not require oil. Service air filter as needed by cleaning with common non-petroleum all-purpose household cleaner and water. Simple Green®, Formula 409® or equivalent works great. Apply cleaner to outside of air filter and allow to soak. Then flush filter clean from the inside out with a garden hose and repeat steps if necessary. Do not apply high pressure water or air to clean filter. Allow filter to air dry and reinstall.

P/N 790-551 Aerosol Spray  
P/N 790-550 Squeeze Spray