



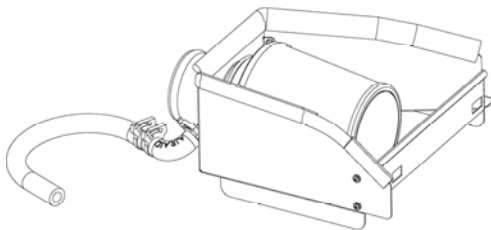
Installation Instructions

For Part Numbers:

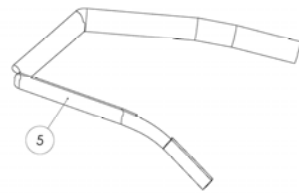
350-171	700-452 Airaid Oiled Media Filter
351-171	701-452 SynthaMax Dry Media Filter - Red
352-171	702-452 SynthaMax Dry Media Filter - Black
353-171	703-452 SynthaMax Dry Media Filter - Blue

2005-10 Chrysler 300C 2.7L V6, 3.5L V6
 2009-10 Dodge Challenger 3.5L V6
 2006-10 Dodge Charger 2.7L V6, 3.5L V6
 2005-08 Dodge Magnum 2.7L V6, 3.5L V6

NOT LEGAL FOR SALE OR USE ON ANY POLLUTION CONTROLLED MOTOR VEHICLE IN CALIFORNIA OR STATES ADOPTING CALIFORNIA EMISSION PROCEDURES.

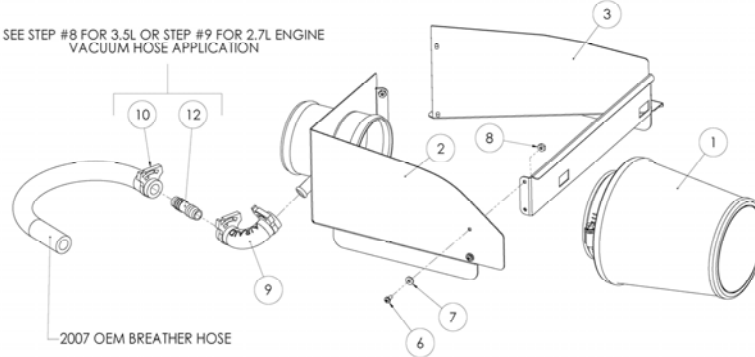


2007 3.5L MODEL ASSEMBLED VIEW

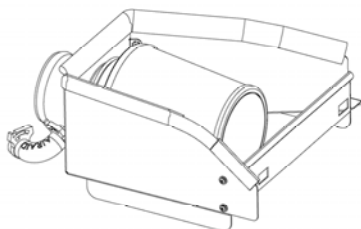


5

SEE STEP #8 FOR 3.5L OR STEP #9 FOR 2.7L ENGINE VACUUM HOSE APPLICATION



2007 OEM BREATHER HOSE



2005-06 3.5L MODEL ASSEMBLED VIEW

Component Identification

1.	Airaid Premium Filter	1
2.	MAF Panel	1
3.	Front Panel	1
4.	1/2" x 14" Breather Hose	1
5.	Weather Strip 27"	1
6.	6-32x5/16" Screw	4
7.	#6 Flat Washer	4
8.	6-32 Keps Nut	4
9.	1/2" Rubber Elbow	1
10.	#18 Speed Clamp	3
11.	#16 Speed Clamp	3
12.	1/2" x 1/2" Connector	2
13.	Airaid Decal	1



1. Disconnect the negative battery cable. Remove the breather hose from the factory air box lid and valve cover. **2.7L Engines:** remove the hard plastic breather tube at the elbow near the back of the valve cover.



2. Loosen the hose clamp on the factory intake tube, located at the air box lid.



3. Remove the airbox lid by pulling the tabs towards the front of the car. Then, lift the lid up and slide it forward, and remove it from the bottom of the airbox.



4. Remove the factory air filter from the bottom of the airbox.



5. Assemble the Quick Fit panels (#2, #3) using four 6-32x 5/16" screws (#5), #6 flat washers (#6), and 6-32 keps nuts (#7). Apply the Airaid Foil Decal onto the Panel as shown.



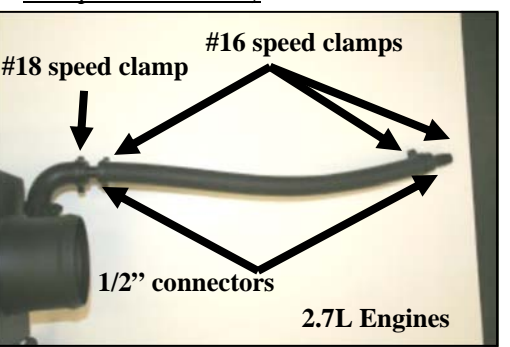
6. Slide the 1/2" rubber elbow (#8) onto the breather fitting on the side of the Quick Fit panels. Install 2 #18 speed clamps (#9), one over each end of the elbow, (*Do not tighten the clamps at this time.*)



7. Slide the three tabs on the back of the Quick Fit panels into the factory airbox. (*For 2005-2006 models, make sure the 1/2" rubber elbow (#8) slides onto the valve cover breather nipple.*) Push the front of the Quick Fit panels down, until the locking tabs snap into place. **2.7L Engines:** Skip to step #9.



8. For 2007 3.5L Engines, (shown above), slide one end of the 1/2" x 1/2" connector (#10) into the rubber elbow. Slide the other end into the factory breather hose. Install one speed clamp (#9) over the factory breather hose and 1/2" connector as shown.



9. 2.7L Engines: Install the two 1/2" connectors (#12), into each end of the supplied breather hose (#4). Connect the breather hose to the rubber elbow on the Quick Fit Panel using one #18 speed clamp (#10), and one #16 speed clamp (#11). Install one #16 speed clamp on the opposite end of the hose as shown.



10. For 2.7L Engines: After installing the Quick Fit Panels, (Refer to step #7), connect the breather hose to the factory elbow at the back of the valve cover using one #16 speed clamp. (Factory intake tube removed for instruction purposes).



11. Slide the Airaid Premium Filter (#1) onto the Quick Fit panel tube, and tighten the hose clamp. Install the factory intake tube onto the opposite end of the Quick Fit panel tube, and tighten the hose clamp. Tighten the speed clamps on the breather hose, and the 1/2" rubber elbow.



12. Install the weather strip (#4) on the top of the Quick Fit panels. (Hint: Start at one end and work all the way to the other end).

13. Double check your work!

Make sure there is no foreign material in the intake path. Make sure all clamps, hoses, bolts, and screws are tight.

14. Reconnect the negative battery cable!

Thank you for purchasing the Airaid Intake System. Your Airaid Intake System was carefully inspected and packaged. Check that no parts are missing, or were damaged during shipping. If any parts are missing, contact Airaid. The air filter element is protected from direct exposure to water and debris; care should be taken not to drive through deep water. WATER INGESTION IS THE DRIVERS RESPONSIBILITY! The air filter is reusable and should be cleaned periodically.

FILTER IDENTIFICATION

700-452 Airaid Oiled Media
702-452 Airaid SynthaMax Dry Media - Black

701-452 Airaid SynthaMax Dry Media - Red
703-452 Airaid SynthaMax Dry Media - Blue

For your Oiled media filter we suggest using the AIRAID Filter Tune-Up Kit!



P/N 790-551 Aerosol Spray
P/N 790-550 Squeeze Spray



SynthaMax®

Do Not Oil

Synthamax Air Filters do not require oil. Service air filter as needed by cleaning with common non-petroleum all-purpose household cleaner and water. Simple Green®, Formula 409® or equivalent works great. Apply cleaner to outside of air filter and allow to soak. Then flush filter clean from the inside out with a garden hose and repeat steps if necessary. Do not apply high pressure water or air to clean filter. Allow filter to air dry and reinstall.