



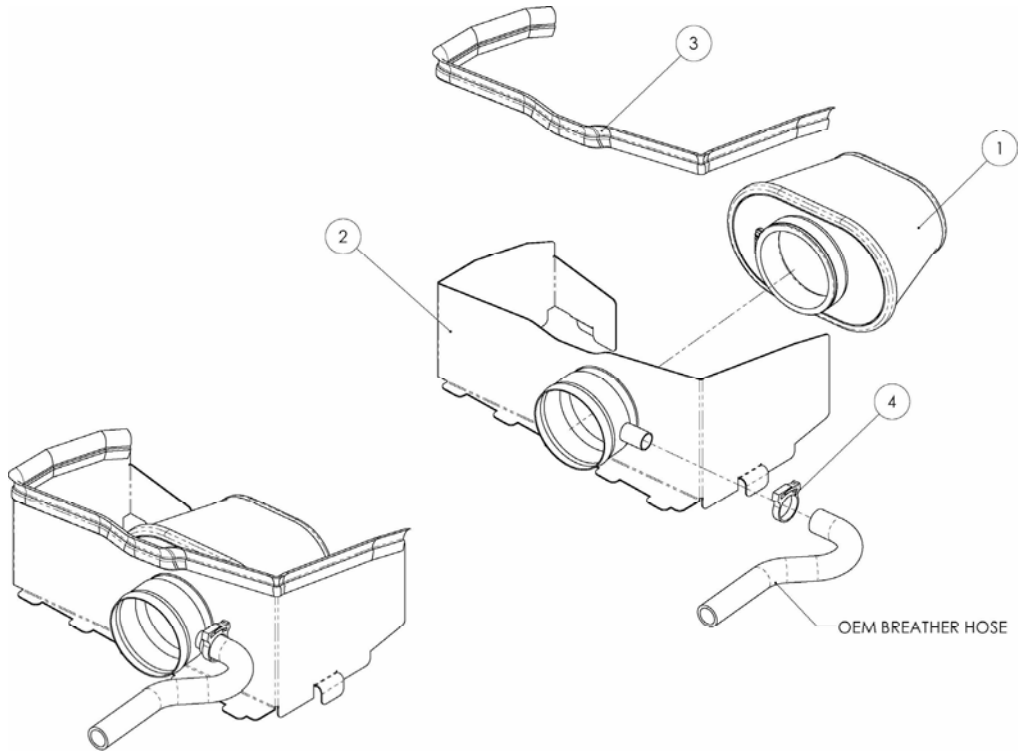
Installation Instructions

For Part Numbers:

300-165	720-440 Airaid Oiled Media Filter
301-165	721-440 SynthaMax Dry Media Filter - Red
302-165	722-440 SynthaMax Dry Media Filter - Black
303-165	723-440 SynthaMax Dry Media Filter - Blue

2005-11 Dodge Dakota
2006-09 Mitsubishi Raider
3.7L V6, 4.7L V8

INTAKE SYSTEMS FOR VEHICLES LISTED ARE 50 STATE LEGAL. SEE CARB STATUS ON EACH PART FOR A SPECIFIC VEHICLE.



Component Identification

1.	Airaid Premium Filter	1
2.	Quick Fit Panel	1
3.	Weather Strip 28"	1
4.	#24 Speed clamp	1
5.	Airaid Decal	1



1. Disconnect the negative battery cable.
 Unlatch the four clips (three on 2007 and newer models) on the factory airbox.



2. A.) Loosen the hose clamp on the factory airbox lid.
B.) Disconnect the breather hose from the factory airbox lid.



3. Remove the factory airbox lid and air filter from the airbox base.



4. 2007 and newer models only: A.) Using a flat blade screwdriver, gently pry and remove one factory clip from the passenger side rear of the airbox base. (see arrow above)
 B.) Re-install the clip onto the rear of the factory airbox base (see arrow above).



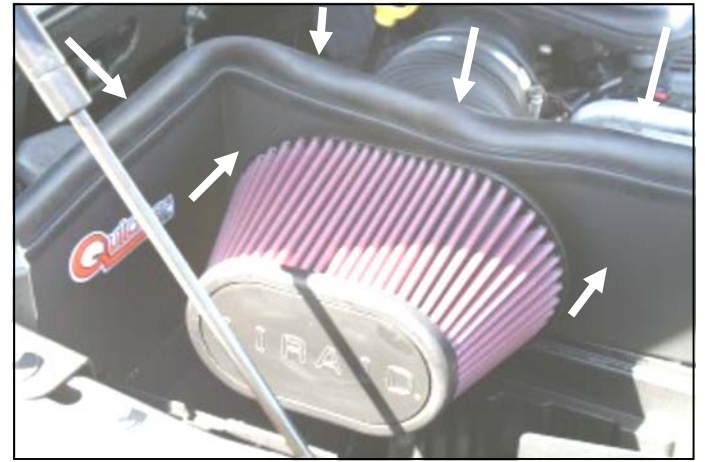
5. Slip the five tabs of the Quick fit panel (#2) through the slots on the airbox base. Adjust the panel for fit, then re-latch two of the factory clips onto the panel.



6. Slide the factory intake tube onto the Quick Fit Panel and tighten the hose clamp.



7. Re-connect the factory breather hose onto the Quick Fit Panel and secure with the #24 speed clamp (#4) as shown.



8. Install the Airaid Premium Filter (#1) onto the Quick Fit Panel as shown, and tighten the clamp. Install the weather strip (#3) onto the top of the Quick Fit Panel as shown. (Hint: Start at one end and work towards the other.)

9. Double check your work!

Make sure there is no foreign material in the intake path. Make sure all clamps, hoses, bolts, and screws are tight.

10. Reconnect the negative battery cable!

Thank you for purchasing the Airaid Intake System. Your Airaid Intake System was carefully inspected and packaged. Check that no parts are missing, or were damaged during shipping. If any parts are missing, contact Airaid. The air filter element is protected from direct exposure to water and debris; care should be taken not to drive through deep water. **WATER INGESTION IS THE DRIVERS RESPONSIBILITY!** The air filter is reusable and should be cleaned periodically.

FILTER IDENTIFICATION

720-440 Airaid Oiled Media
722-440 Airaid SynthaMax Dry Media - Black

721-440 Airaid SynthaMax Dry Media - Red
723-440 Airaid SynthaMax Dry Media - Blue

For your Oiled media filter we suggest using the AIRAID Filter Tune-Up Kit!



P/N 790-551 Aerosol Spray
P/N 790-550 Squeeze Spray



SynthaMax[®]

Do Not Oil

Synthamax Air Filters do not require oil. Service air filter as needed by cleaning with common non-petroleum all-purpose household cleaner and water. Simple Green[®], Formula 409[®] or equivalent works great. Apply cleaner to outside of air filter and allow to soak. Then flush filter clean from the inside out with a garden hose and repeat steps if necessary. Do not apply high pressure water or air to clean filter. Allow filter to air dry and reinstall.