



Installation Instructions

For Part Numbers:

- 300-155 720-128 Airaid Oiled Media Filter
- 301-155 721-128 SynthaMax Dry Media Filter - Red
- 302-155 722-128 SynthaMax Dry Media Filter - Black
- 303-155 723-128 SynthaMax Dry Media Filter - Blue

2004-07 Dodge Ram 2500/3500

5.9L I6 Cummins Diesel

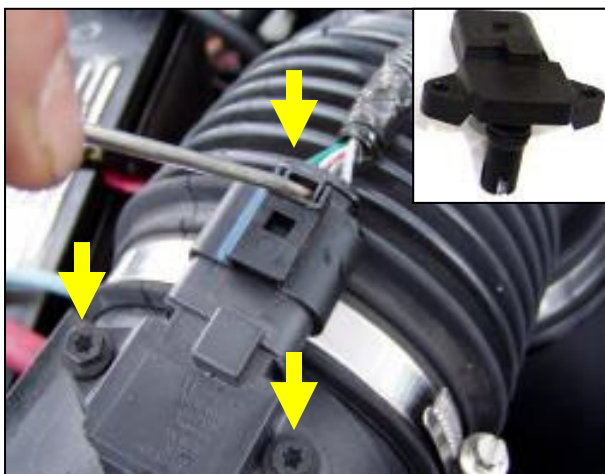
Note: Use P/N 300-128 For Vehicles W/O optional "quiet hood pad"



INTAKE SYSTEMS FOR VEHICLES LISTED ARE 50 STATE LEGAL. SEE CARB STATUS ON EACH PART FOR A SPECIFIC VEHICLE.

Component Identification

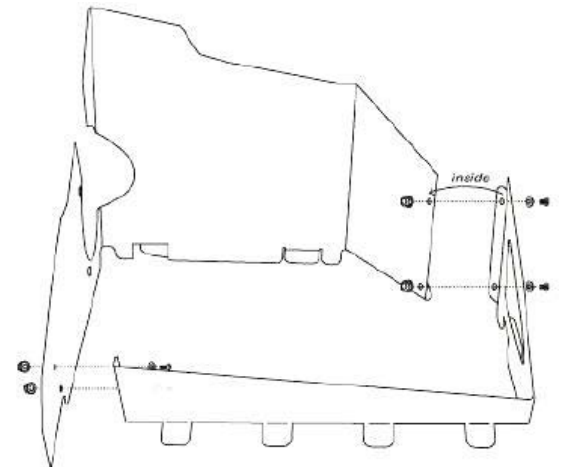
- | | | |
|-----|------------------------|---|
| 1. | Airaid Premium Filter | 1 |
| 2. | Rear Air Dam Panel | 1 |
| 3. | Front Air Dam Panel | 1 |
| 4. | Filter Adapter Tube | 1 |
| 5. | Weather Strip 24 1/4" | 1 |
| 6. | #8 Flat Washer | 2 |
| 7. | 1/4-20 x 5/8" Hex Bolt | 3 |
| 8. | 1/4" Flat Washer | 3 |
| 9. | 6-32 Phillips Screw | 4 |
| 10. | 6-32 Nut | 4 |
| 11. | #6 Washer | 4 |
| 12. | 8-32 Button Head Screw | 2 |



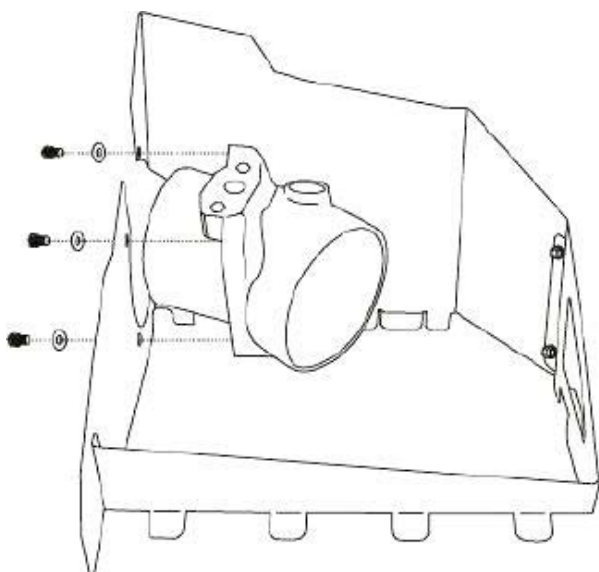
1. Disconnect the negative battery cable and disconnect the electrical connector. Using the T-20 bit loosen the two star head bolts and remove the electrical sensor. (Retain sensor for installation of Airaid Intake System)



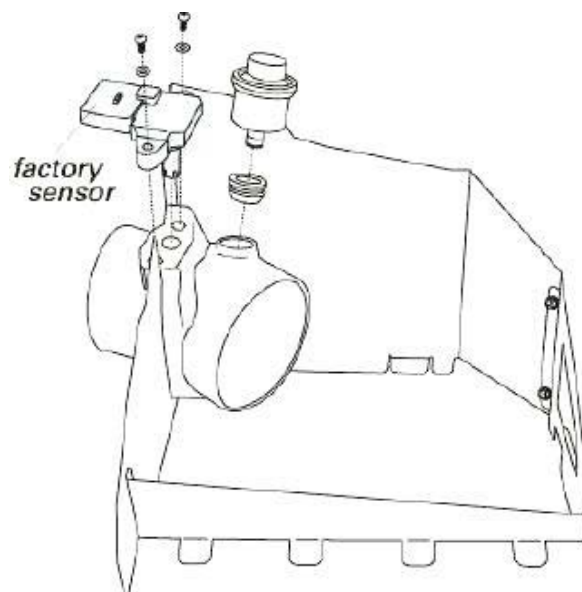
2. Unclip the factory air box lid and remove the lid assembly from vehicle.



3. Assemble Airaid Quick Fit Cool Air Dam panels using the (4) 6/32 screws, washers and nuts provided.



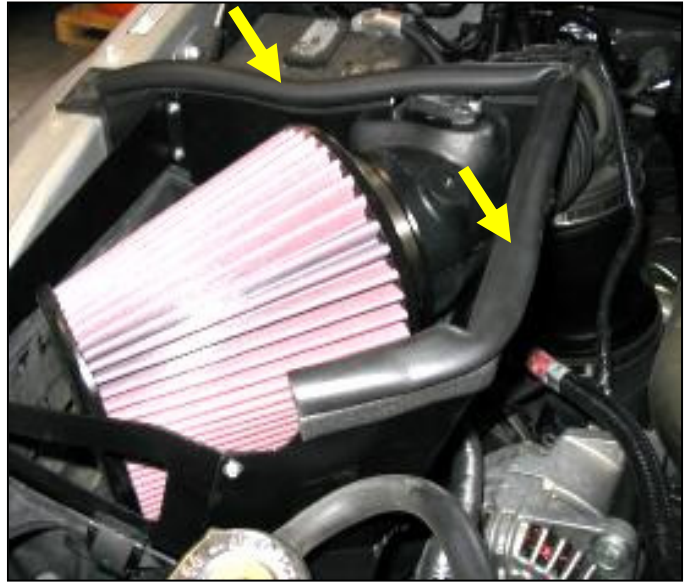
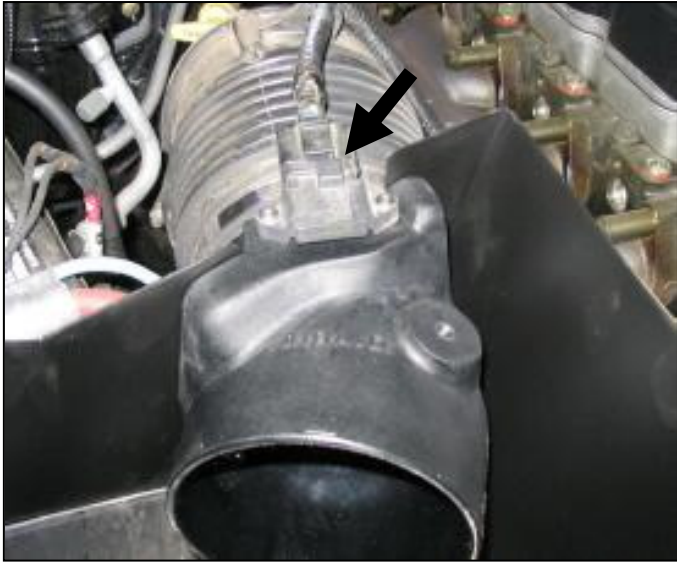
4. Assemble the air filter adapter to the cool air dam using the (3) 1/4-20 bolts and washers provided.



5. Fasten the factory sensor on top of the adapter using the (2) 8/32 screws and washers using a 3/32 Allen Wrench.



6. Install Airaid intake assembly in place of the factory air box lid & tighten factory hose clamp on intake tube to Airaid system & secure air intake tube to adapter using the factory hose clamp.



7. Re-connect the wire harness to the sensor on top of the Airaid adapter.

8. Mount Airaid Premium Filter to the filter adapter and tighten hose clamp, in addition; press the weather strip onto the top of the Airaid cool air dam. (*Hint: start the install at the top corner of the cold air dam & work toward the edges*)

9. Double check your work to be certain that all nuts, bolts, and clamps are securely fastened.

10. Reconnect the negative battery cable.

Airaid Modular Intake Tube P/N 300-928 is also available for this application to replace the factory silencer tube. Please contact your local dealer for details.



Thank you for purchasing the Airaid Intake System. Your Airaid Intake System was carefully inspected and packaged. Check that no parts are missing, or were damaged during shipping. If any parts are missing, contact Airaid. The air filter element is protected from direct exposure to water and debris; care should be taken not to drive through deep water. **WATER INGESTION IS THE DRIVERS RESPONSIBILITY!** The air filter is reusable and should be cleaned periodically.

FILTER IDENTIFICATION

720-128 Airaid Oiled Media
722-128 Airaid SynthaMax Dry Media - Black

721-128 Airaid SynthaMax Dry Media - Red
723-128 Airaid SynthaMax Dry Media - Blue

For your Oiled media filter we suggest using the AIRAID Filter Tune-Up Kit!



P/N 790-551 Aerosol Spray
P/N 790-550 Squeeze Spray



Do Not Oil

Synthamax Air Filters do not require oil. Service air filter as needed by cleaning with common non-petroleum all-purpose household cleaner and water. Simple Green®, Formula 409® or equivalent works great. Apply cleaner to outside of air filter and allow to soak. Then flush filter clean from the inside out with a garden hose and repeat steps if necessary. Do not apply high pressure water or air to clean filter. Allow filter to air dry and reinstall.