



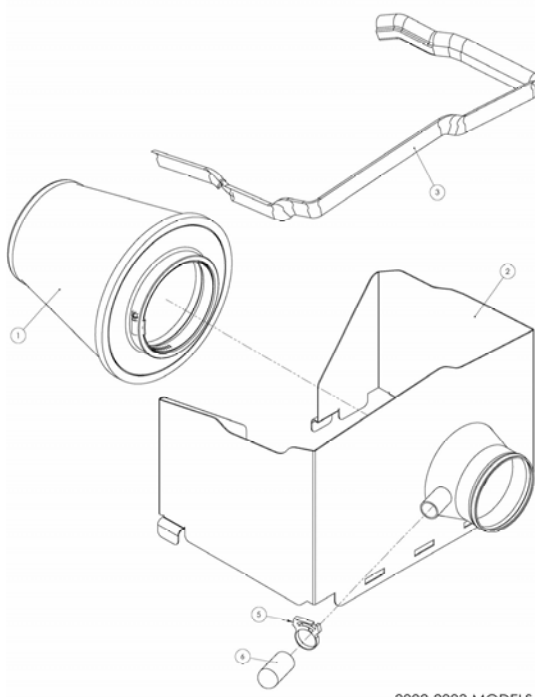
## Installation Instructions

For Part Numbers:

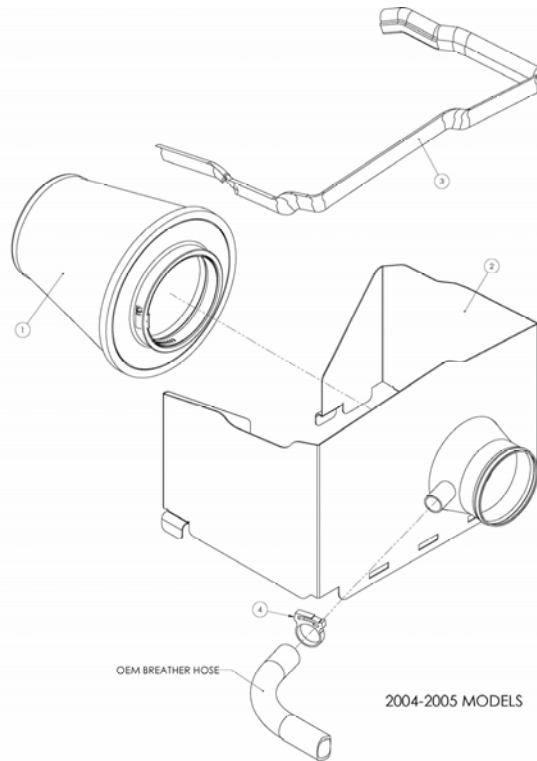
300-125-1	700-445 Airaid Oiled Media Filter
301-125-1	701-445 SynthaMax Dry Media Filter - Red
302-125-1	702-445 SynthaMax Dry Media Filter - Black
303-125-1	703-445 SynthaMax Dry Media Filter - Blue

**2002-05 Dodge Ram 1500/2500/3500  
3.7L V6, 4.7L V8, 5.7L V8, 5.9L V8**

**INTAKE SYSTEMS FOR VEHICLES LISTED ARE 50 STATE LEGAL. SEE CARB STATUS ON EACH PART FOR A SPECIFIC VEHICLE.**



2002-2003 MODELS



2004-2005 MODELS

## Component Identification

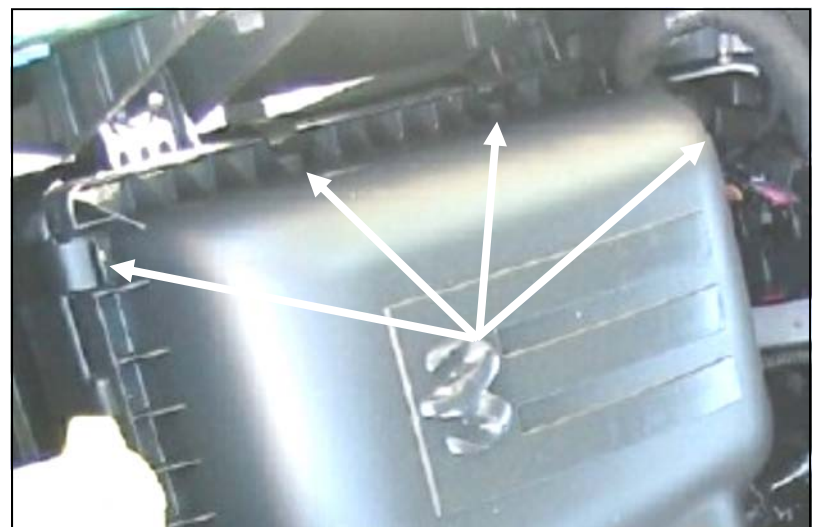
1.	Airaid Premium Filter	1
2.	Cool Air Dam	1
3.	Weather Strip 33 1/4"	1
4.	#24 Speed Clamp	1
5.	#19 Speed Clamp	1
6.	Black Rubber Cap	1
7.	Airaid Decal	1



### 1. Disconnect the negative battery cable!

Loosen the hose clamp on the factory airbox lid.

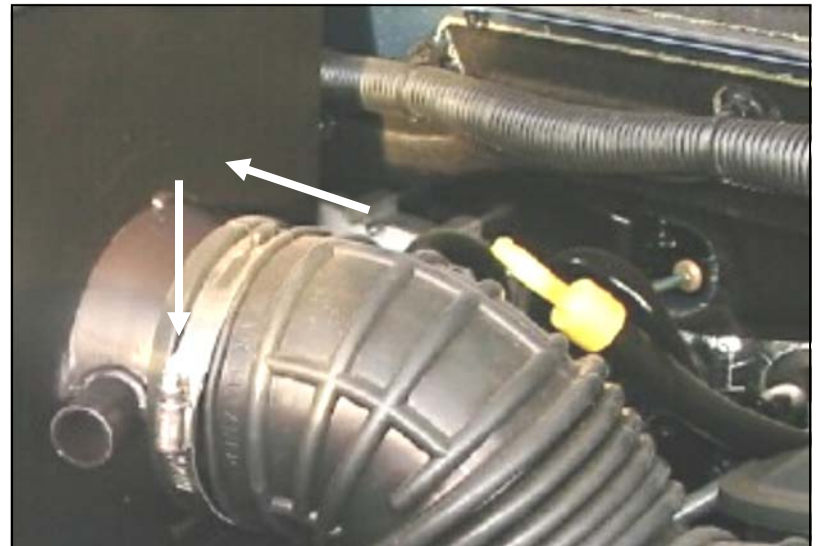
**2004-05 Models Only:** Disconnect the breather hose from the factory airbox lid.



2. Unlatch the four factory airbox clips, and then remove the airbox lid and air filter from the factory airbox base.



3. Position the Airaid Cool Air Dam (CAD) (#2) onto the factory airbox base. Relatch the factory clips onto the CAD. Apply the Airaid Foil Decal onto the Panel as shown.



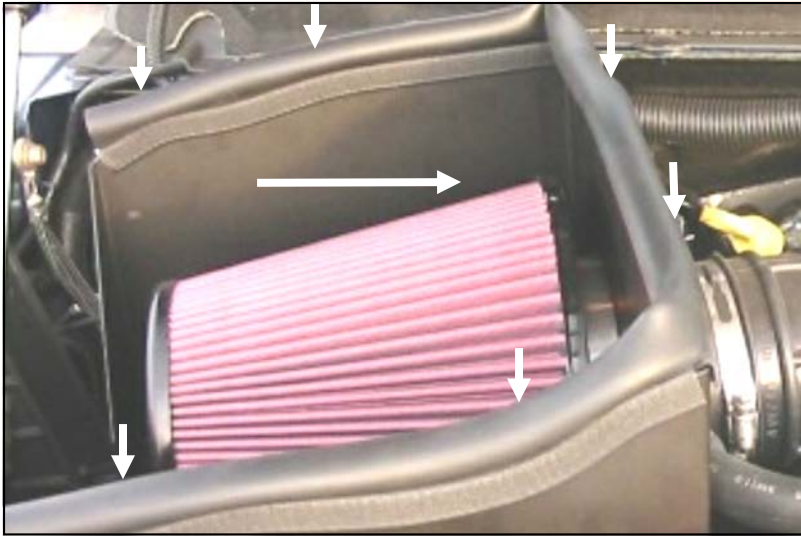
4. Reconnect the factory intake tube onto the CAD, and tighten the factory hose clamp.



**5. 2002-2003 Models Only:** Slip the black rubber cap (#6) over the nipple on the CAD and secure it using one #19 speed clamp (#5).



**6. 2004-2005 Models Only:** Reconnect the factory breather hose to the nipple on the CAD and secure it using one #24 speed clamp (#4).



**7.** Mount the Airaid Premium Filter (#1) onto the CAD and tighten the hose clamp. Install the weather strip (#3) onto the top of the CAD as shown. (Note: start at one end and work your way around to the other to insure proper alignment of the weather strip).

**8. Double check your work!**

Make sure there is no foreign material in the intake path. Make sure all clamps and hoses are tight.

**9. Re-connect the negative battery cable!**

Thank you for purchasing the Airaid Intake System. Your Airaid Intake System was carefully inspected and packaged. Check that no parts are missing, or were damaged during shipping. If any parts are missing, contact Airaid. The air filter element is protected from direct exposure to water and debris; care should be taken not to drive through deep water. WATER INGESTION IS THE DRIVERS RESPONSIBILITY! The air filter is reusable and should be cleaned periodically.

**FILTER IDENTIFICATION**

700-445 Airaid Oiled Media  
702-445 Airaid SynthaMax Dry Media - Black

701-445 Airaid SynthaMax Dry Media - Red  
703-445 Airaid SynthaMax Dry Media - Blue

**For your Oiled media filter we suggest using the AIRAID Filter Tune-Up Kit!**



P/N 790-551 Aerosol Spray  
P/N 790-550 Squeeze Spray



**Do Not Oil**

Synthamax Air Filters do not require oil. Service air filter as needed by cleaning with common non-petroleum all-purpose household cleaner and water. Simple Green®, Formula 409® or equivalent works great. Apply cleaner to outside of air filter and allow to soak. Then flush filter clean from the inside out with a garden hose and repeat steps if necessary. Do not apply high pressure water or air to clean filter. Allow filter to air dry and reinstall.