



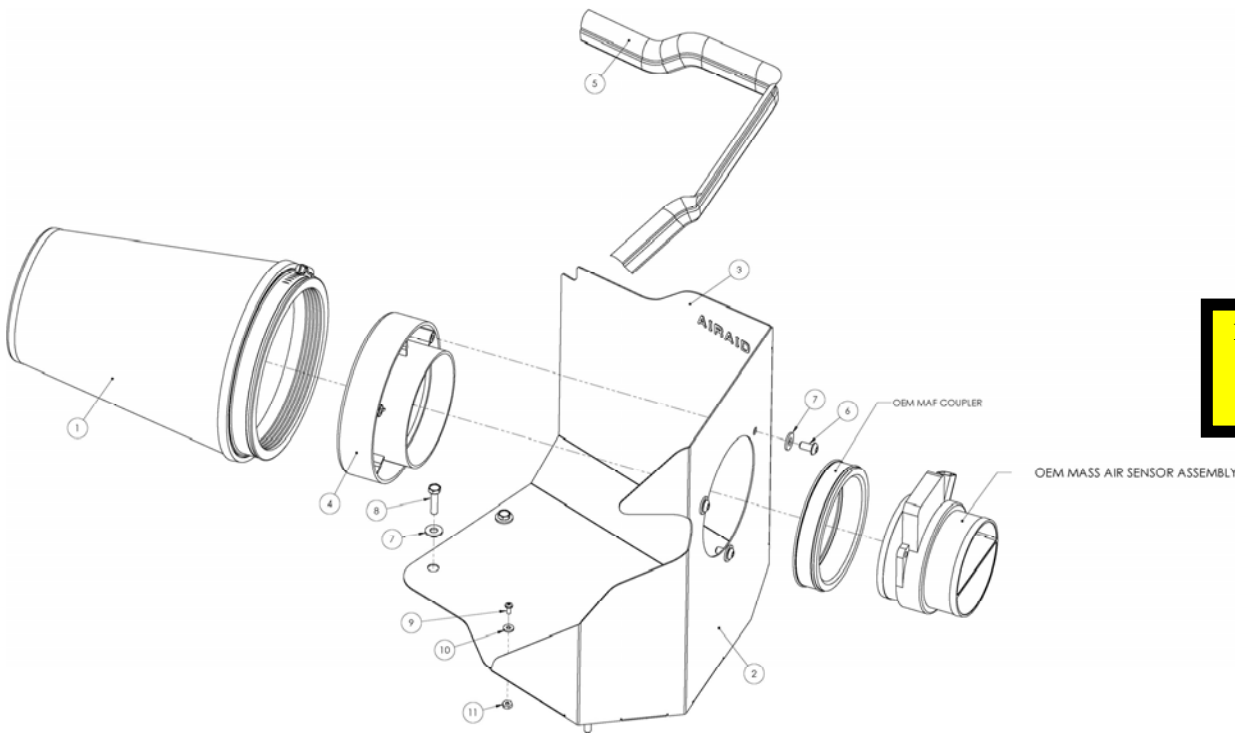
## Installation Instructions

For Part Numbers:

200-112-1	700-469 Airaid Oiled Media Filter
201-112-1	701-469 SynthaMax Dry Media Filter - Red
202-112-1	702-469 SynthaMax Dry Media Filter - Black
203-112-1	703-469 SynthaMax Dry Media Filter - Blue

2002-06 Cadillac Escalade/ESV/EXT  
 2002-06 Chevrolet Avalanche 1500/2500  
 1999-06 Chevrolet Silverado 1500  
 2001-06 Chevrolet Silverado 1500HD/2500HD/3500HD  
 2000-06 Chevrolet Tahoe/ Suburban 1500/ Suburban 2500  
 1999-06 GMC Sierra/Sierra C3 1500  
 2001-06 GMC Sierra 1500 HD/2500 HD/3500HD  
 2000-06 GMC Yukon/Yukon XL 1500/Yukon XL 2500  
 2007 GMC Sierra "Classic"/Chevrolet Silverado "Classic"  
 4.3L V6, 4.8L V8, 5.3L V8, 6.0L V8, 8.1L V8  
 With Low Profile Hood

**INTAKE SYSTEMS FOR VEHICLES LISTED ARE 50 STATE LEGAL. SEE CARB STATUS ON EACH PART FOR A SPECIFIC VEHICLE.**



### Component Identification

1.	Airaid Premium Filter	1
2.	MAF Panel Coated	1
3.	Rear Air Dam Coated	1
4.	Black MAF Adapter	1
5.	Weather Strip 20"	1
6.	1/4"-20x1/2" SS Button Head	3
7.	1/4" Flat Washer	7
8.	M6-1x25 Hex Bolt	4
9.	6-32x 5/16" Screw	5
10.	#6 Flat Washer	5
11.	6-32 Keps Nut	5



**1. Disconnect negative battery cable.**  
Loosen the hose clamp on the end of the factory intake tube at the Mass Air Sensor.



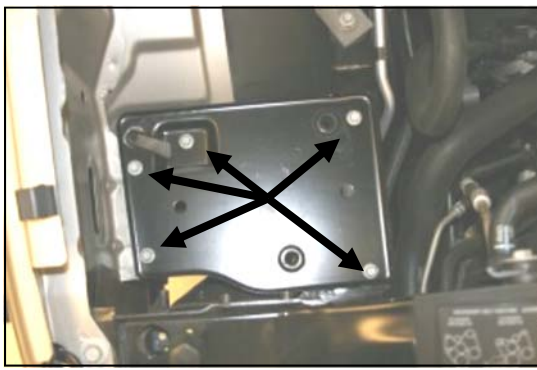
**2.** Remove the factory tube from the Mass Air Sensor, and slide it out of the way. Next loosen the hose clamp on the Mass Air Sensor.



**3.** Without disconnecting the wiring harness, remove the Mass Air Sensor and coupler from the factory airbox, and set it aside.



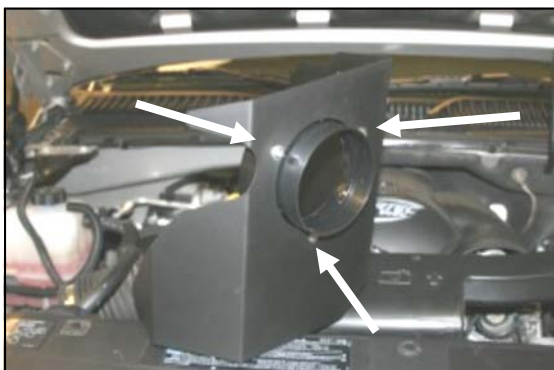
**4.** Grab the factory airbox and rock it back and forth, and remove it from the vehicle. It is only held in by grommets, no bolts.



**5.** Remove 5 bolts, and remove the factory airbox mounting plate.



**6.** Assemble the two Cool Air Dam panels (#2) and (#3) using the five supplied screws (#9), washers (#10), and nuts (#11), as shown.



**7.** Install the filter adapter (#4) into the CAD using three button head bolts (#6), and washers (#7).



**8.** Install the assembled CAD in place of the factory airbox using four bolts (#8) and washers (#7). Do not over tighten the bolts.



**9.** Re-install the Mass Air Sensor and coupler onto the air filter adapter (#4), as shown and tighten the hose clamp.



**10.** Re-connect the factory intake tube to the Mass Air Sensor, and tighten the hose clamp.



**11.** Install the Airaid Premium Filter (#1) onto the filter adapter (#4), and tighten the hose clamp. Next install the weather strip (#5) onto the top of the CAD as shown. For ease of installation start at the fender, and work towards the radiator.

**12. Double check your work!**

Make sure there is no foreign material in the intake path. Make sure all clamps, hoses, bolts, and screws are tight.

**13. Reconnect the negative battery cable!**

**WARNING!** If your vehicle has a Vehicle Emission Control Information decal affixed to the factory airbox, a new replacement label must be obtained and installed in a readily visible position in the engine compartment in order to remain CARB compliant. Failure to do so will prevent the vehicle from passing a smog check. Replacement labels can be ordered from your local dealership. Regulations state that the VECI label shall not be affixed to any equipment which is easily detached from the vehicle. Label placement, under the hood on a painted surface is recommended.

Thank you for purchasing the Airaid Intake System. Your Airaid Intake System was carefully inspected and packaged. Check that no parts are missing, or were damaged during shipping. If any parts are missing, contact Airaid. The air filter element is protected from direct exposure to water and debris; care should be taken not to drive through deep water. WATER INGESTION IS THE DRIVERS RESPONSIBILITY! The air filter is reusable and should be cleaned periodically.

**FILTER IDENTIFICATION**

700-469 Airaid Oiled Media  
702-469 Airaid SynthaMax Dry Media - Black

701-469 Airaid SynthaMax Dry Media - Red  
703-469 Airaid SynthaMax Dry Media - Blue

**For your Oiled media filter we suggest using the AIRAID Filter Tune-Up Kit!**



**Do Not Oil**



P/N 790-551 Aerosol Spray  
P/N 790-550 Squeeze Spray

Synthamax Air Filters do not require oil. Service air filter as needed by cleaning with common non-petroleum all-purpose household cleaner and water. Simple Green®, Formula 409® or equivalent works great. Apply cleaner to outside of air filter and allow to soak. Then flush filter clean from the inside out with a garden hose and repeat steps if necessary. Do not apply high pressure water or air to clean filter. Allow filter to air dry and reinstall.

