

Load**LIFTER** 5000™ **ULTIMATE**

ADJUSTABLE AIR HELPER SPRINGS

TOW AND HAUL WITH SAFETY AND COMFORT™



Kit Number
88395

INSTALLATION GUIDE

For maximum effectiveness and safety, please read these instructions completely before proceeding with installation.

Failure to read these instructions can result in an incorrect installation.

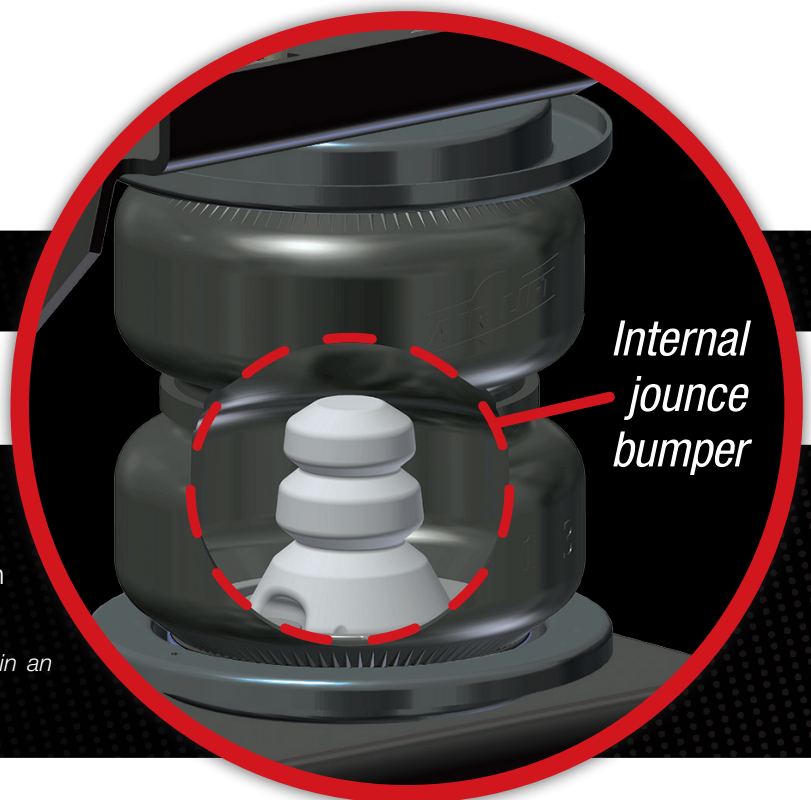


TABLE OF CONTENTS

Introduction	2
Important Safety Notice	2
Notation Explanation	2
Installation Diagrams	3
Installation Diagram - Driver Side	3
Installation Diagram - Passenger Side	4
Hardware and Tools Lists	5
Hardware List	5
Tools List	5
Installing the LoadLifter 5000 Ultimate System	6
Getting Started	6
Installing the Braces	7
Driver Side Brace Installation	7
Passenger Side Brace Installation	8
Bellows and Bracket Assembly	9
Attaching the Assemblies to the Frame	11
Attaching the Lower Bracket to the Axle	12
Installing the Air Lines	15
Installing the Heat Shield	16
Checking for Leaks	17
Fixing Leaks	17
Bracket Alignment	17
Before Operating	18
Installation Checklist	18
Post-Installation Checklist	18
Product Use, Maintenance and Servicing	19
Minimum and Maximum Pressure	19
Maintenance Guidelines	19
Troubleshooting Guide	19
Frequently Asked Questions	20
Tuning the Air Pressure	20
Guidelines for Adding Air	21
Choosing the Right On-Board Air Compressor System	22
Limited Warranty and Return Policy	23
Replacement Information	24
Contact Information	24

Introduction

The purpose of this publication is to assist with the installation, maintenance and troubleshooting of the LoadLifter 5000 Ultimate air spring kit. LoadLifter 5000 Ultimate utilizes sturdy, reinforced, commercial grade single or double, depending on the kit, convolute bellows. The bellows are manufactured like a tire with layers of rubber and cords that control growth. An internal jounce bumper inside the spring absorbs shock and eliminates harsh jarring on rough roads. The internal jounce bumper replaces the factory bumper and allows the air springs to safely be run at zero air pressure. LoadLifter 5000 Ultimate kits are recommended for most 3/4 and 1 ton pickups and SUVs with leaf springs and provide up to 5,000 lbs. of load-leveling support with air adjustability from 5-100 PSI. The kits are used in motor home rear applications and various front applications where leaf springs are used.

It is important to read and understand the entire installation guide before beginning installation or performing any maintenance, service or repair. The information here includes a hardware list, tool list, step-by-step installation information, maintenance tips, safety information and a troubleshooting guide.

IMPORTANT SAFETY NOTICE

The installation of this kit does not alter the Gross Vehicle Weight Rating (GVWR) or payload of the vehicle. Check your vehicle's owner's manual and do not exceed the maximum load listed for your vehicle.

Gross Vehicle Weight Rating: The maximum allowable weight of the fully loaded vehicle (including passengers and cargo). This number — along with other weight limits, as well as tire, rim size and inflation pressure data — is shown on the vehicle's Safety Compliance Certification Label.

Payload: The combined, maximum allowable weight of cargo and passengers that the vehicle is designed to carry. Payload is GVWR minus the Base Curb Weight.

NOTATION EXPLANATION

Hazard notations appear in various locations in this publication. Information which is highlighted by one of these notations must be observed to help minimize risk of personal injury or possible improper installation which may render the vehicle unsafe. Notes are used to help emphasize areas of procedural importance and provide helpful suggestions. The following definitions explain the use of these notations as they appear throughout this guide.

INDICATES IMMEDIATE HAZARDS WHICH WILL RESULT IN SEVERE PERSONAL INJURY OR DEATH.

INDICATES HAZARDS OR UNSAFE PRACTICES WHICH COULD RESULT IN SEVERE PERSONAL INJURY OR DEATH.

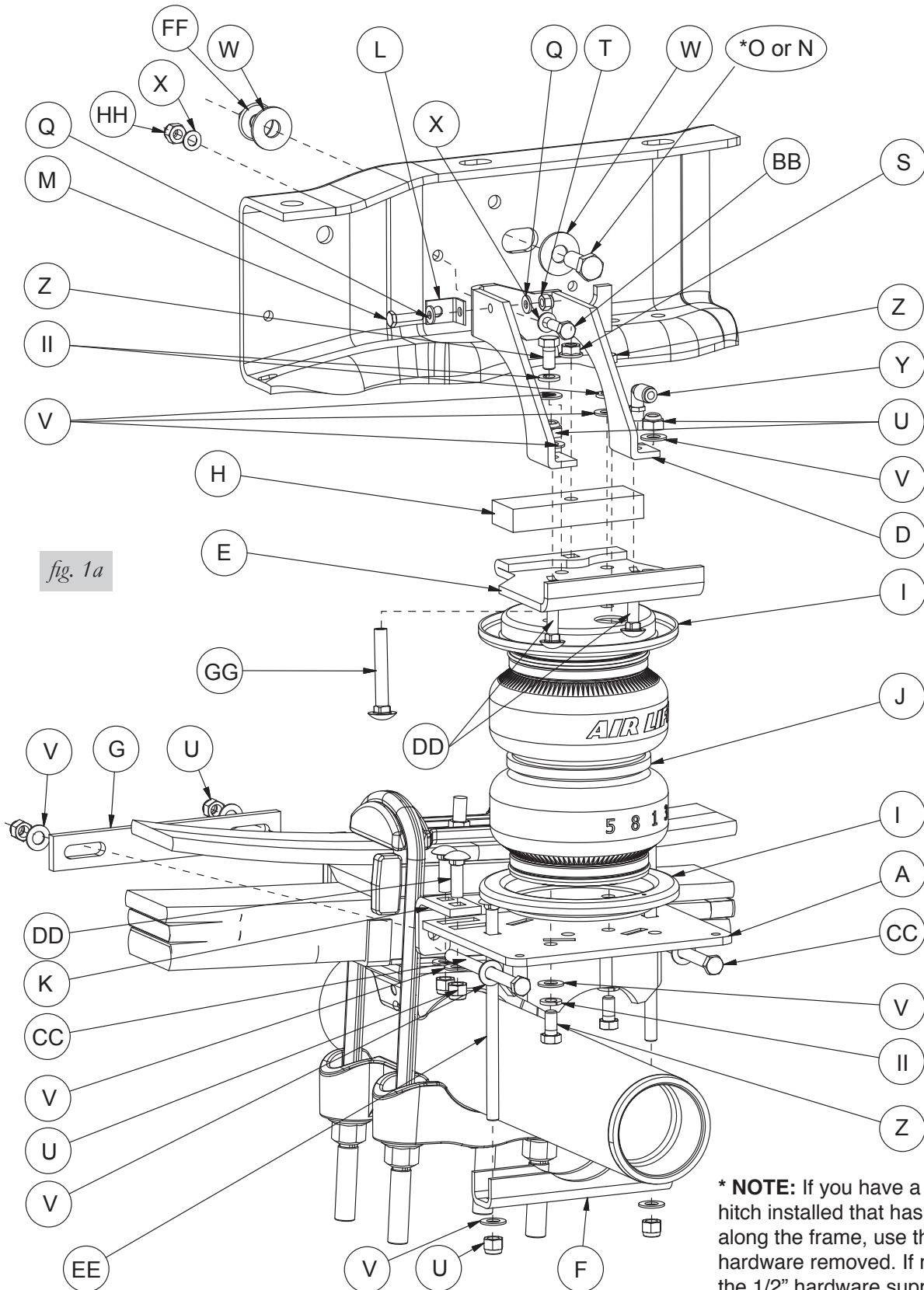
INDICATES HAZARDS OR UNSAFE PRACTICES WHICH COULD RESULT IN DAMAGE TO THE MACHINE OR MINOR PERSONAL INJURY.



NOTE

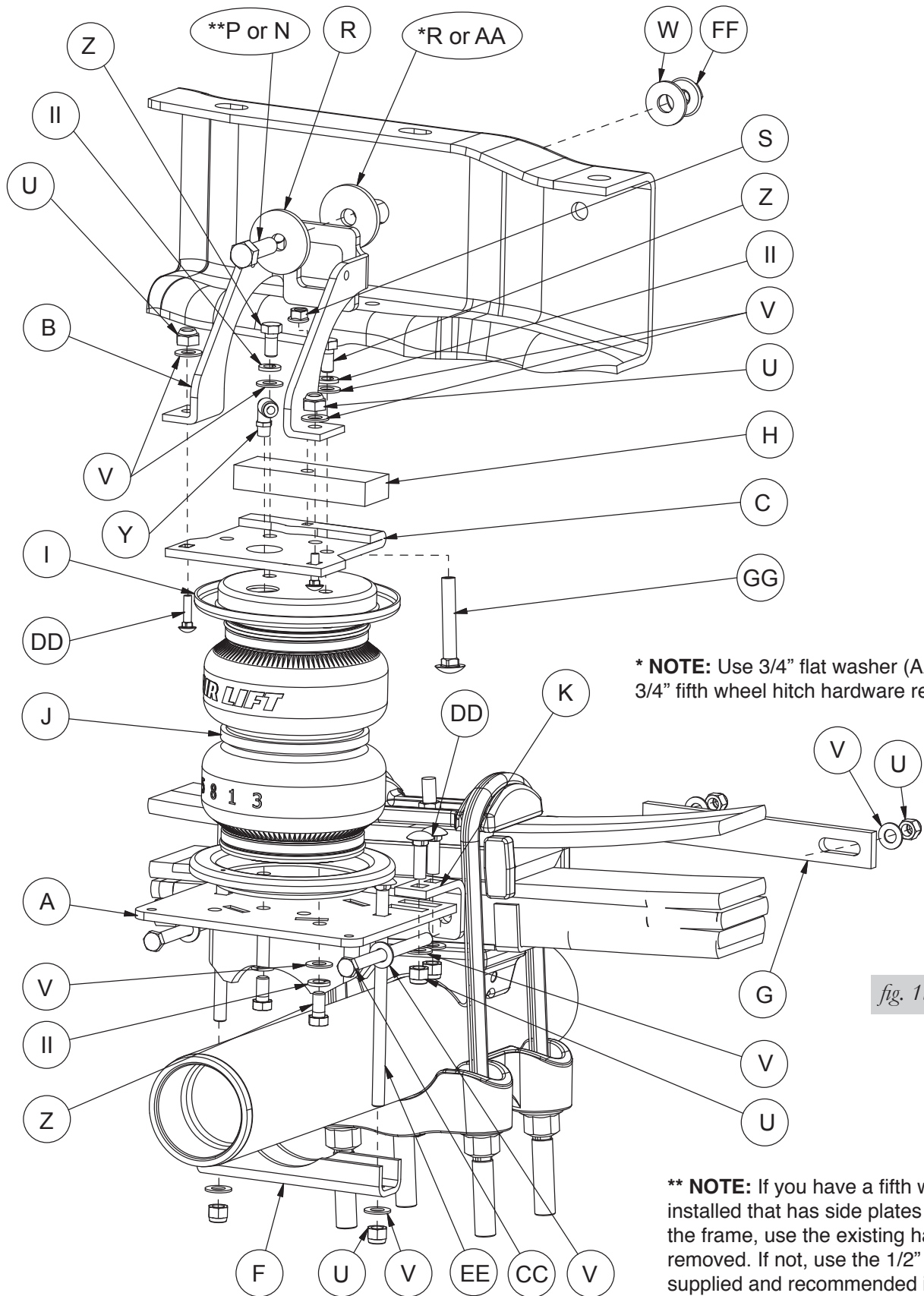
Indicates a procedure, practice or hint which is important to highlight.

Installation Diagram - Driver Side



*** NOTE:** If you have a fifth wheel hitch installed that has side plates along the frame, use the existing hardware removed. If not, use the 1/2" hardware supplied and recommended in this kit and in the directions in this manual.

Installation Diagram - Passenger Side



*** NOTE:** Use 3/4" flat washer (AA) if using 3/4" fifth wheel hitch hardware removed.

fig. 1b

**** NOTE:** If you have a fifth wheel hitch installed that has side plates along the frame, use the existing hardware removed. If not, use the 1/2" hardware supplied and recommended in this kit and in the directions in this manual.

Hardware and Tools Lists

HARDWARE LIST

Item	Part #	Description	Qty
A	03211	Lower Bracket.....	2
B	07996	Upper Brace (right)	1
C	07997	Upper Bracket (right).....	1
D	07994	Upper Brace (left).....	1
E	07995	Upper Bracket (left).....	1
F	01531	Clamp Bar.....	2
G	10861	Spring Clamp Bar.....	2
H	13966	Spacer.....	2
I	11967	Roll Plate.....	4
J	58496	Bellows.....	2
K	11067	Four Hole Locating Bracket	4
L	10886	“L” Bracket	1
M	17135	1/4”-20 X 1” Hex Cap Screw	1
N	17271	1/2”-13 X 3” Hex Cap Screw	2
O	17412	1/2”-13 X 1.25” Hex Cap Screw	1
P	17161	1/2”-13 X 1.5” Hex Cap Screw	1
Q	18419	Flat Washer #12.....	2
R	18207	1/2” Thick Flat Washer.....	2
S	18422	3/8”-16 Serrated Flange Lock Nut.....	2
T	18425	1/4”-20 Nyloc Nut	1
U	18435	3/8”-16 Nyloc Nut.....	20
V	18444	3/8” Flat Washer	32
W	18485	1/2” Flat Washer	3
X	18501	M8 Flat Washer.....	4
Y	21837	90° Swivel Air Fitting	2
Z	17203	3/8”-24 X 7/8” Hex Cap Screw	8
AA	18556	3/4” Flat Washer	1
BB	17177	8mm-1.25 X 25mm Hex Cap Screw ...	1
CC	17184	3/8”-16 X 5” Hex Tap Bolt	4
DD	17361	3/8”-16 X 1.25” Carriage Bolt.....	12
EE	17163	3/8”-16 X 7” Carriage Bolt.....	4
FF	18505	1/2”-13 Serrated Flange Lock Nut.....	2
GG	17140	3/8”-16 X 2” Carriage Bolt.....	2
HH	18522	M8 X 1.25” Nyloc Nut.....	1
II	18427	3/8” Lock Washer.....	8
JJ	20086	Air Line Assembly	1
KK	10466	Zip Ties	6
LL	18411	5/16” Lock Washer.....	2
MM	21230	Valve Caps.....	2
NN	21233	5/16” Hex Nut.....	2
OO	21234	Rubber Washer.....	2
PP	34924	Heat Shield Kit	1

TOOLS LIST

Description.....	Qty
Metric & STD Open-Box End Wrenches	set
Ratchet with Metric and STD Sockets.....	set
Drill and 5/16” Drill Bit.....	1
Torque Wrench.....	1
Hose Cutter, Razor Blade or Sharp Knife.....	1
Hoist or Floor Jack.....	1
Safety Stands	2
Safety Glasses	1
Air Compressor or Compressed Air Source	1
Spray Bottle with Dish Soap/Water Solution	1

Installing the LoadLifter 5000 Ultimate System

GETTING STARTED

1. Raise the vehicle and support the axle with jack stands, setting the jack stands as wide as possible on the axle. And/or support the vehicle in a way (safely) that will allow the axle to be dropped if using a hoist of some kind (Fig. 2).

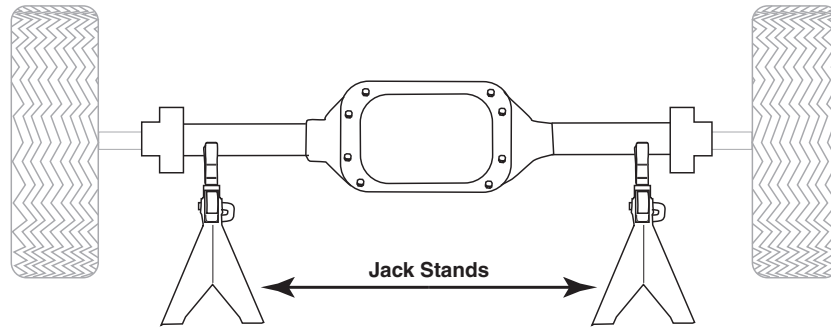


fig. 2

2. Remove the jounce bumpers from under the frame, over the axle.
3. If necessary, disconnect the wiring harness from the driver side frame rail to gain clearance for the upper brace. Also, push the harness connector out that holds the electrical lines going to the gas/urea tank in or out of the tank bracket. This will improve the socket/bolt access that will be required for installing and tightening the frame brace (Fig. 3).
4. If you have a fifth wheel hitch already installed, **other than the standard factory Reese hitch purchased with the truck**, it will be necessary to remove the 1/2" or 3/4" hardware that bolts the side bracket (plates) to the outside of the frame above the axle.

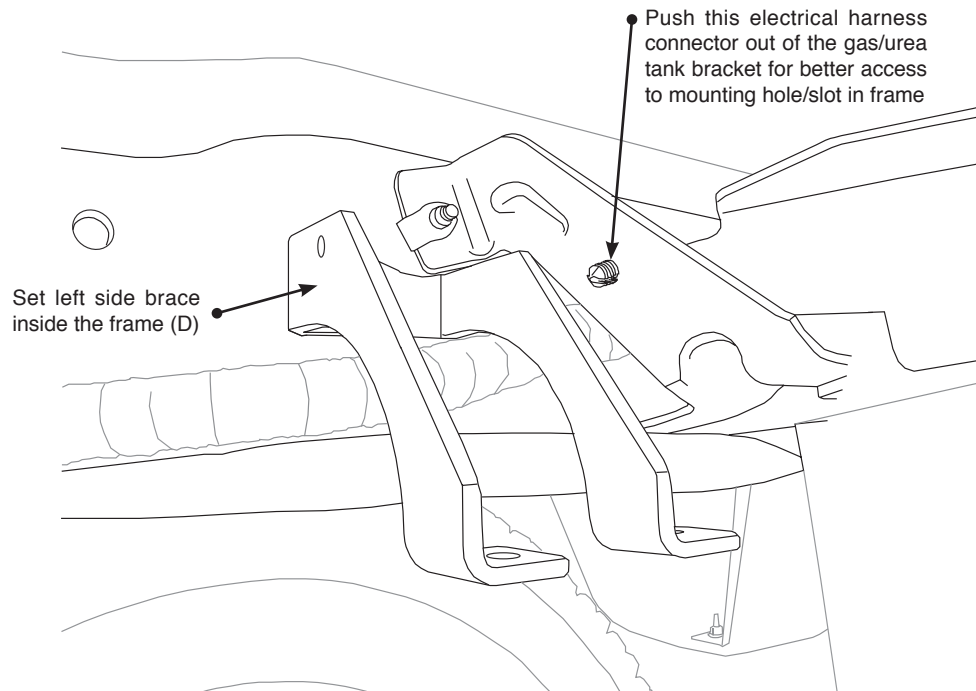


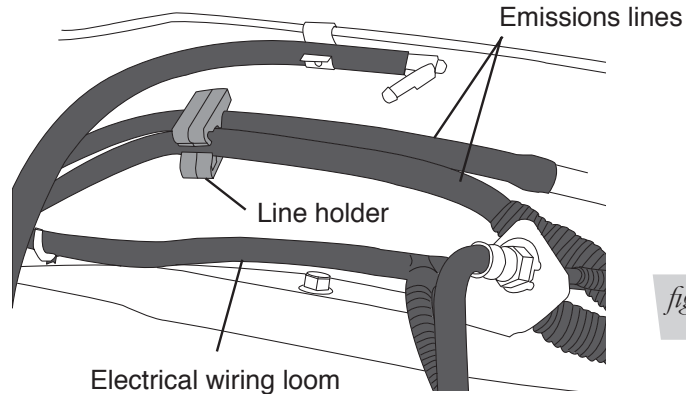
fig. 3

INSTALLING THE BRACES

NOTE

Gas engine models have emission lines on the inside of the frame. If your model truck has emission lines running along the inside of the frame rail (Fig. 4), it will be necessary to relocate those lines as follows:

- Carefully push the line holder out of the frame above the axle. Try to minimize damage because it will be reused later. It may also be helpful to remove any holders forward or rearward of the axle to aid in positioning the lines once the upper brace has been installed (Fig. 4).



- Attach the L-bracket (L) to the back frame brace using the 1/4" bolt (M), flat washers (Q) and nyloc nut (T) supplied (Fig. 5). This L-bracket will eventually be used to attach the previously removed emissions line. Do not attach the line holder to it at this time.

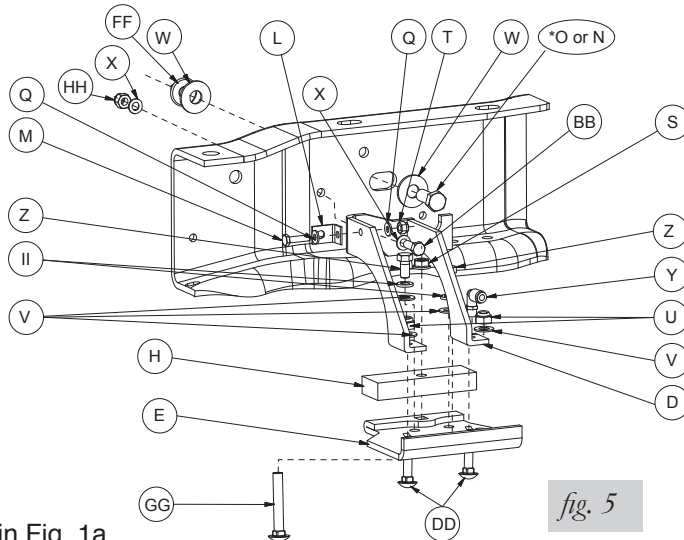
DRIVER SIDE BRACE INSTALLATION

1. Set the left upper brace (D) into the driver side frame rail. The brace has a small hole that will line up with an existing hole in the frame, insert the 8mm hex cap screw (BB) with a flat washer (X) through the brace and frame (Fig. 5) and cap with flat washer (X) and M8 Nyloc nut (HH). Leave loose at this time.

If there is a fifth wheel plate on the outside of the frame, it may be necessary to drill the side plate using the existing hole in the frame as a template. It may also be necessary to use a longer M8 bolt (not supplied).

CAUTION

BE SURE NOT TO PINCH THE PREVIOUSLY MOVED WIRING OR LINES INSIDE THE LEFT FRAME RAIL.



* See footnote in Fig. 1a

- If you have no fifth wheel hitch or if you have the **standard equipment Reese fifth wheel hitch** that was purchased on the truck from Ford, in the frame there is a slot that is forward of the M8 bolt just installed, insert the 1/2"-13 x 1.25" hex cap screw (O) and flat washer (W) through the brace and frame (from the inside out). Cap with a flat washer (W) and a 1/2" serrated flanged lock nut (FF) (Fig. 5 and 6). Do not tighten at this time.

OR

If you have an aftermarket fifth wheel hitch that has a bracket (plate) running along side of the frame and it used this slot to secure the bracket to the frame with existing hardware, install the existing hardware previously removed in the "getting started section" from the fifth wheel installation for securing the brace (Fig. 5). Do not tighten at this time.

OR

If you have an aftermarket fifth wheel hitch that has a bracket (plate) running along side of the frame and it does not have any attaching hardware on the side where the slot in the frame is, it will be necessary to drill a 1/2" hole through the plate using the slot in the frame as a template. Drill the hole as far back in the slot as you can.

CAUTION

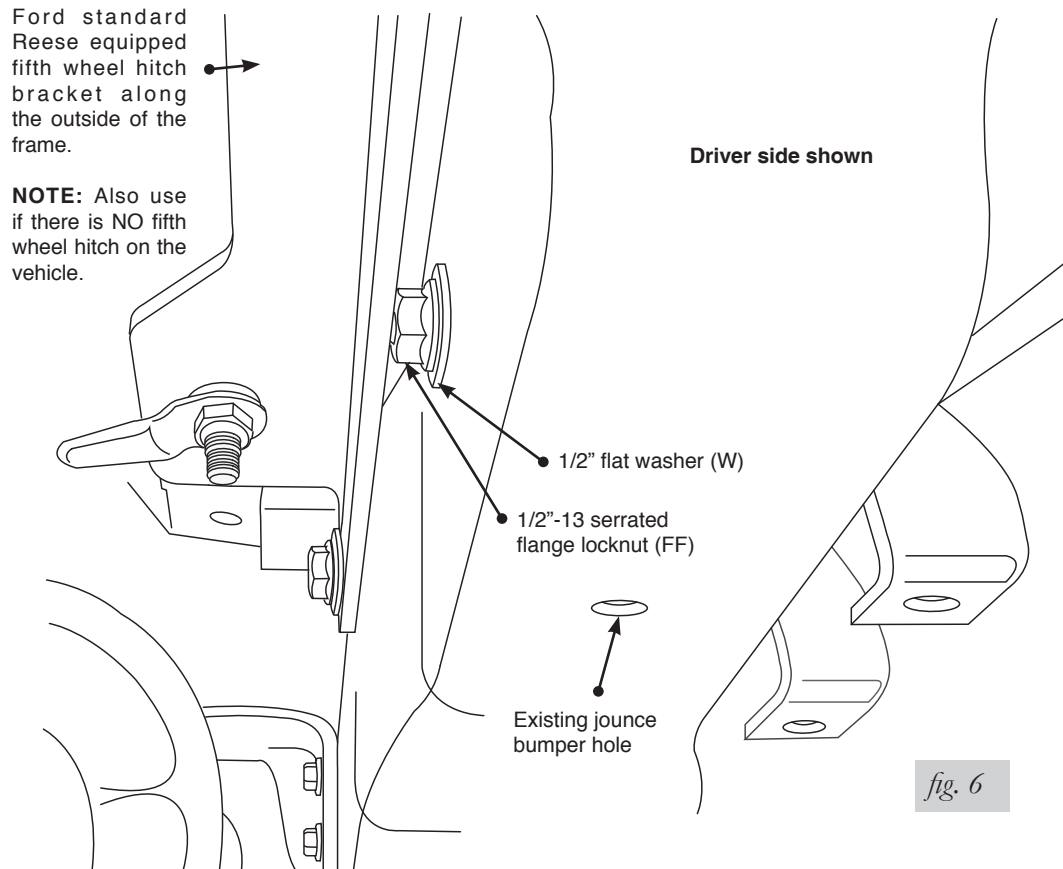
CLEAR ANY ELECTRICAL OR HARD LINES FROM THE AREA SO AS NOT TO DAMAGE THEM IN ANY WAY WHEN DRILLING THE HOLE.

NOTE

It may be necessary to mark and remove the bracket (plate) from the side of the frame in order to drill the hole correctly. Re-attach once the hole is drilled.

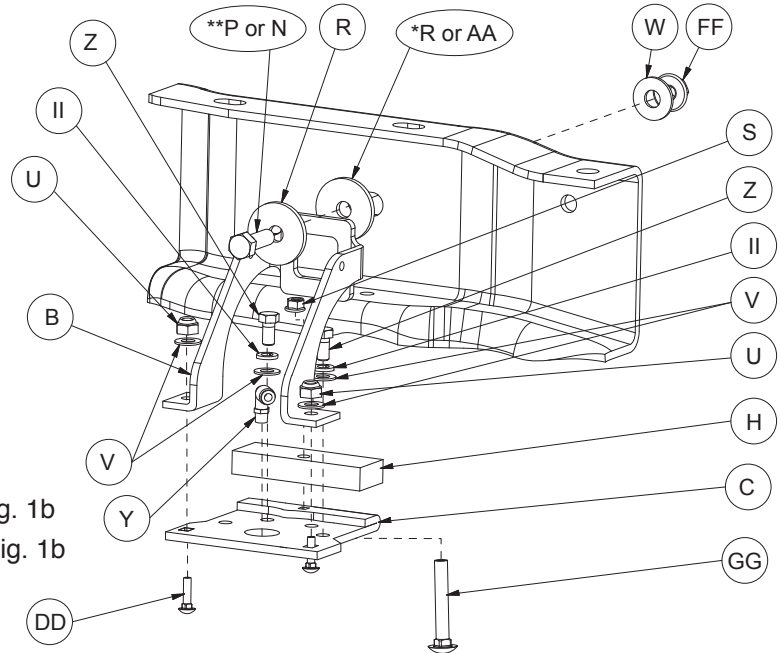
Insert a 1/2"-13 x 3.00" hex cap screw (N) with a flat washer (W) through the brace, frame and fifth wheel plate previously drilled. Cap with a flat washer (W) and a 1/2"-13 serrated flange lock nut (FF) (Fig. 5). Leave loose at this time.

PASSENGER SIDE BRACE INSTALLATION



1. Set the right upper brace (B) into the passenger side frame rail (fig. 7).

fig. 7



* See footnote in Fig. 1b
 ** See footnote in Fig. 1b

2. If you have no fifth wheel hitch or if you have the **standard equipment Reese fifth wheel hitch** that was purchased on the truck from Ford, insert the 1/2"-13 x 1.50" hex cap screw (P) and large flat washer (R) through the brace, between the brace and the frame add the large flat washer (R) then through the frame (from the inside out). Cap with a flat washer (W) and a 1/2" serrated flanged lock nut (FF) (figs. 6 and 7). Do not tighten at this time.

OR

If you have an aftermarket fifth wheel hitch that has a bracket (plate) running along side of the frame and it used this slot to secure the bracket to the frame with existing hardware, install the existing hardware previously removed in the "Getting Started" section. However, add the thick washer (R) or (AA) depending on whether the exiting hardware is 1/2" or 3/4" in between the brace and the frame (fig. 7). Do not tighten at this time.

OR

If you have an aftermarket fifth wheel hitch that has a bracket (plate) running along side of the frame and it does not have any attaching hardware on the side where the slot in the frame is, it will be necessary to drill a 1/2" hole through the plate using the slot in the frame as a template.

NOTE

It may be necessary to mark and remove the bracket (plate) from the side of the frame in order to drill the hole correctly. Re-attach once the hole is drilled.

Insert a 1/2"-13 x 3.00" hex cap screw (N) with a large flat washer (R) through the brace, between the brace and the frame add the large flat washer (R) then through the frame and fifth wheel plate previously drilled. Cap with a flat washer (W) and a 1/2"-13 serrated flange lock nut (FF) (fig. 7). Leave loose at this time.

BELLOWS AND BRACKET ASSEMBLY

1. Set a roll plate (I) over the top and bottom of the bellows (J) (fig. 1a and 1b).

NOTE

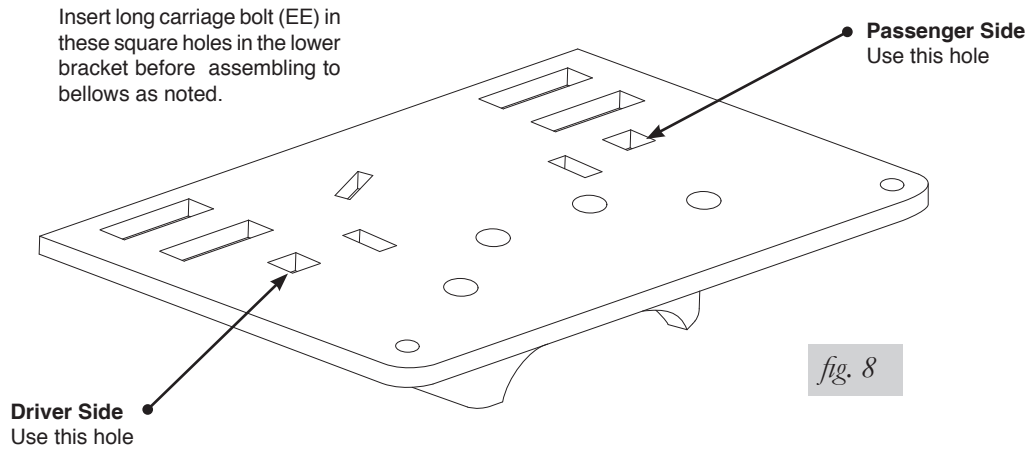
The radiused (rounded) edge of the roll plate (I) will be towards the bellows so that the bellows is seated inside both roll plates.

2. Install the swivel elbow fitting (Y) into the top of the bellows finger tight. Tighten the swivel fitting one and a half turns.

3. Insert one long carriage bolt (EE) into the lower bracket (A) (Fig. 8).

NOTE

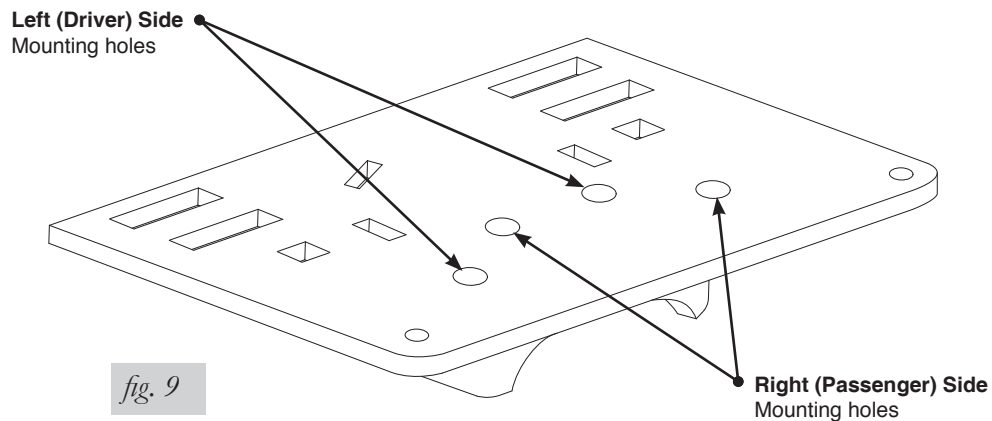
The long carriage bolt will be behind the axle once the assembly is installed on the axle.



4. The lower bracket (A) has two sets of bellows mounting holes. Using the corresponding holes in the lower bracket designated (Fig. 9), attach the bellows to the brackets using the 3/8" flat washers (V), lock washers (II), and 3/8"-24 x 7/8" hex head cap screws (Z). Tighten both mounting screws securely.

NOTE

The fitting on top of the bellows points inward (refer to figs. 11 and 12).

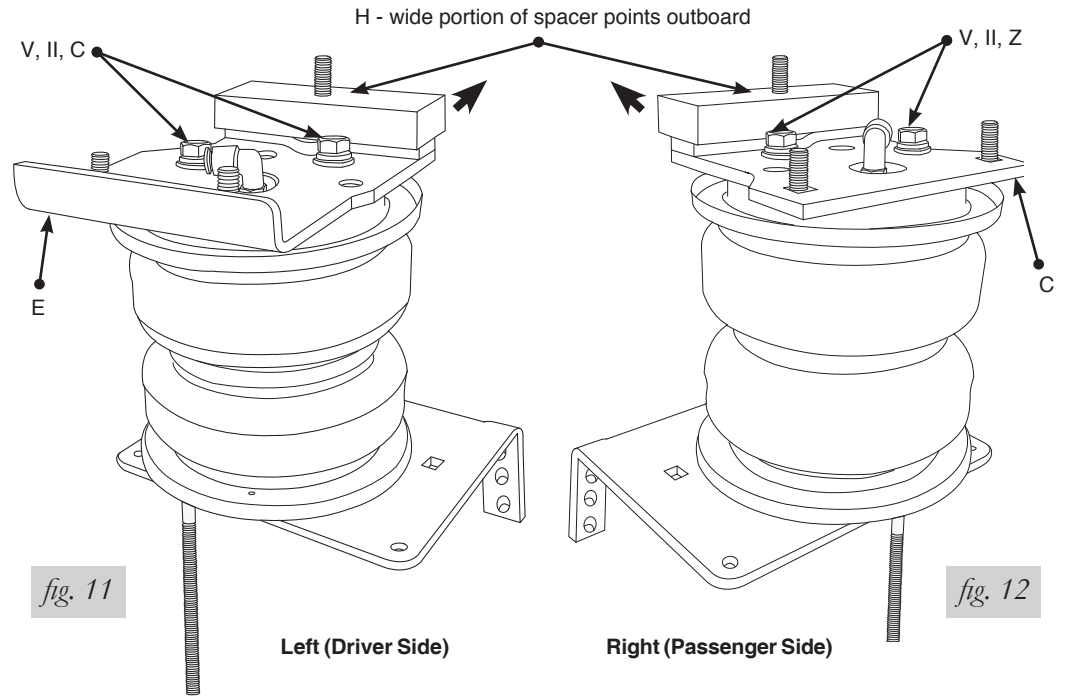
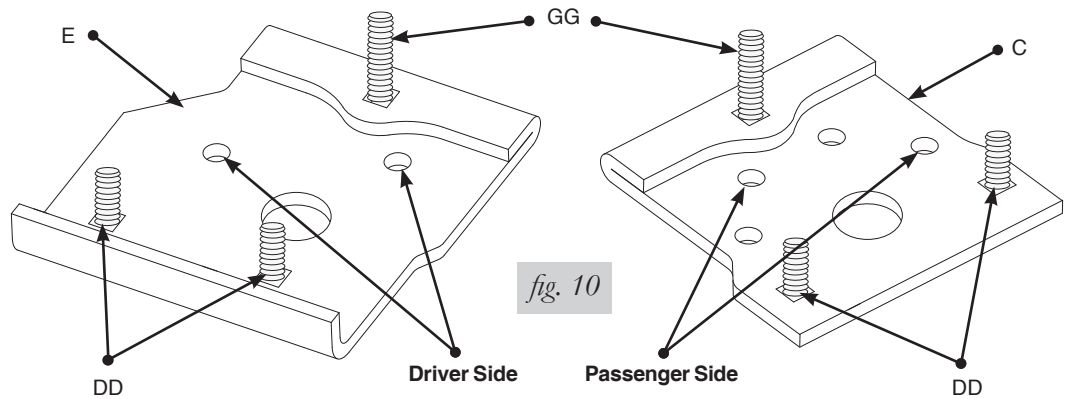


5. Insert two 3/8"-16 x 1.25" carriage bolts (DD) up through the bottom of the driver side (E) and passenger side (C) upper bracket (Fig. 10), through the two square holes that are on the corresponding side. Also, insert one 3/8"-16 x 2.0" carriage bolt (GG) through the remaining hole. The head of this carriage bolt will be hidden once mounted to the bellows.
6. Set the driver side (left) upper bracket onto the driver side bellows assembly previously assembled, using the holes in the upper bracket designated Fig. 10, and attach to the bellows with two 3/8" flat washers (V), lock washers (II), and 3/8"-24 x 7/8" hex head cap screws (Z). Tighten both mounting screws securely (Fig. 11).
7. Repeat the above process with the passenger side assembly (Fig. 12).

8. Set the spacer (H) over both long carriage bolts (Figs. 11 and 12).

NOTE

The hole in the flat spacer (H) is offset. Install the spacer so that the wide portion faces the outside of the vehicle (Figs. 11 and 12).



ATTACHING THE ASSEMBLIES TO THE FRAME

1. If not done so yet, drop the axle or raise the frame up to make room for the assemblies to be put into position.
2. Set the left (driver side) assembly onto the axle (Fig. 1a). Make sure the long carriage bolt on the bottom bracket goes in between the hard brake line and the axle (this should be on the back side of the axle). Raise the axle just enough to insert the long carriage bolt (that is installed in the upper bracket) through the existing jounce bumper hole in the bottom of the frame. At the same time, line up the upper brace previously installed onto the remaining two carriage bolts in the upper bracket. Do this just enough for the carriage bolt to hold the assembly into position on the jounce bumper strike plate (Figs. 1a and 5).

3. Set the right (passenger side) assembly into position on the axle the same way the left side was positioned (Fig. 1b and 7).
4. Raise the axle or lower the frame down so that the thick spacer (H) on the upper bracket is parallel to, and contacts the frame (on both sides).
5. Install the 3/8"-16 serrated flange nut (S) on the carriage bolt that went through the existing jounce bumper hole and tighten securely on both sides (Fig. 1a and 1b).

CAUTION

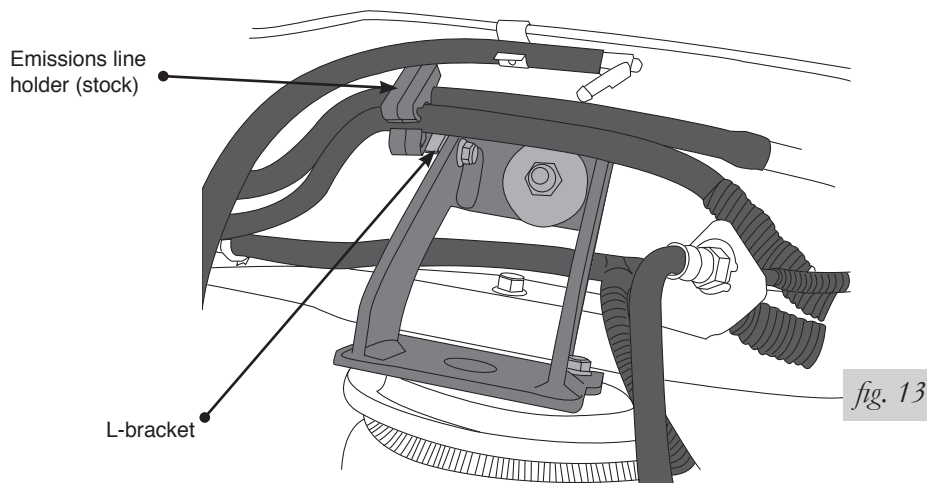
BE SURE NOT TO PINCH THE PREVIOUSLY MOVED WIRING OR LINES INSIDE THE LEFT FRAME RAIL.

6. Cap the brace/upper bracket carriage bolts with a 3/8" flat washer (V) and 3/8" nyloc nut (U) and tighten both securely on both sides.
7. With the spacers (H) on the upper brackets tight to the bottom of the frame and the braces tight to the upper bracket, tighten the 8mm (driver side only) and 1/2" or 3/4" hardware previously installed, that hold the braces to the frame. Tighten both sides securely.

NOTE

If possible use a thin 3/4" socket and it helps to pull back the driver side, 1/2" mounting hardware (O or N), as far back in the slot as you can while tightening.

8. Once the left (driver side) 1/2" or 3/4" hardware has been tightened, push the wiring harness connector which was removed in the "getting started section" back into the gas/urea tank mounting hole. If this broke during disassembly, wire tie it to the bracket (Fig. 3).
9. If so equipped with the emissions line previously loosened from the frame, insert the line holder post into the L-bracket (L) attached to the back leg of the upper left brace (D) (Fig. 13). It may be necessary to move the line holder post forward or back on the lines to line up correctly with the L-bracket hole. Reattach any line holders removed forward or behind the axle, if possible, that were removed to aid in positioning the upper bracket.



ATTACHING THE LOWER BRACKET TO THE AXLE

1. Insert a long 3/8" bolt (CC) and flat washer (V) through the top round hole of the four hole locating bracket (K). (Fig. 15).

NOTE

Use the hole that is closest to the leaf spring.

2. Attach the four hole locating bracket (K) on the top of the lower bracket and through the slots, with two 3/8"-16 x 1.25" carriage bolts (DD), flat washers (V) and nyloc nuts (U). One goes forward and one goes behind the axle on the leaf spring side. Leave loose at this time.
3. Push the front and back four hole locating bracket against the stock u-bolts and tighten the short carriage bolts at this time.

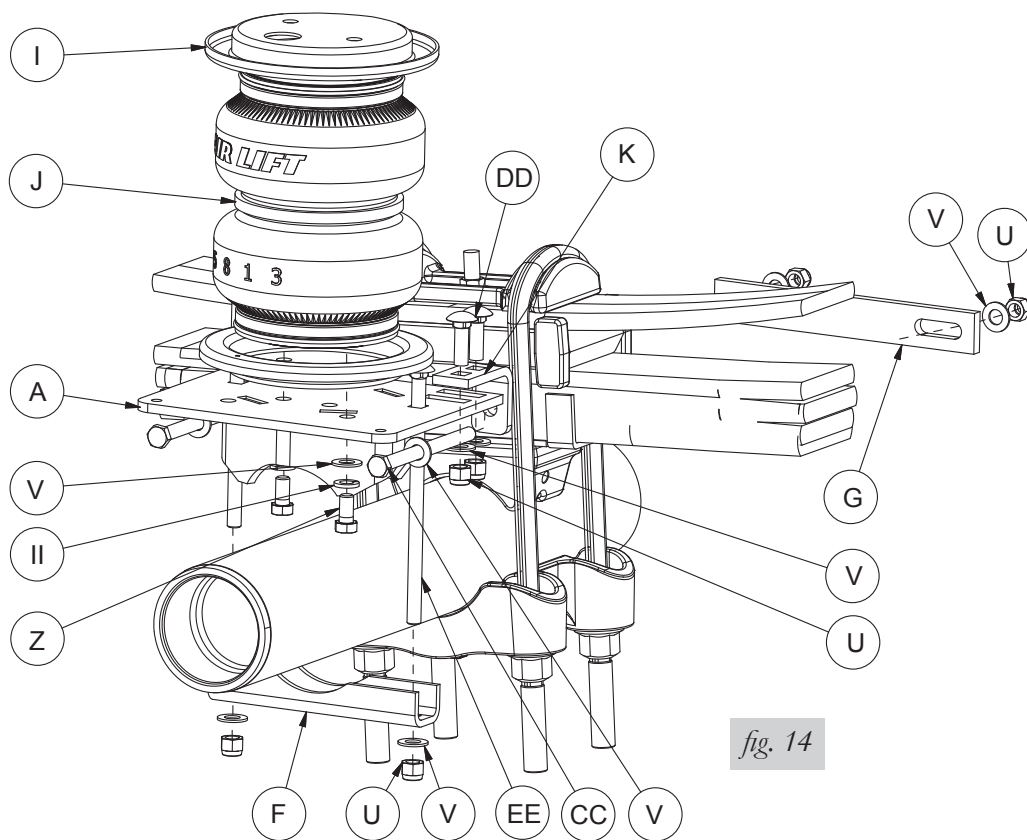


fig. 14

- Using the long 3/8" bolt (CC) and flat washer (V) previously installed on the four hole locating bracket, insert them into the spring clamp bar (G) on the opposite side of the leaf spring assembly (Fig. 14). Cap with 3/8" flat washer (V) and nyloc nut (U). Leave loose at this time.
- Insert a long carriage bolt (EE) through the remaining square hole in the lower bracket (forward of the axle) opposite of the one previously installed in the bellows assembly. Set the clamp bar (F) over the two carriage bolts and cap with two 3/8" flat washers (V) and two nyloc nuts (U).

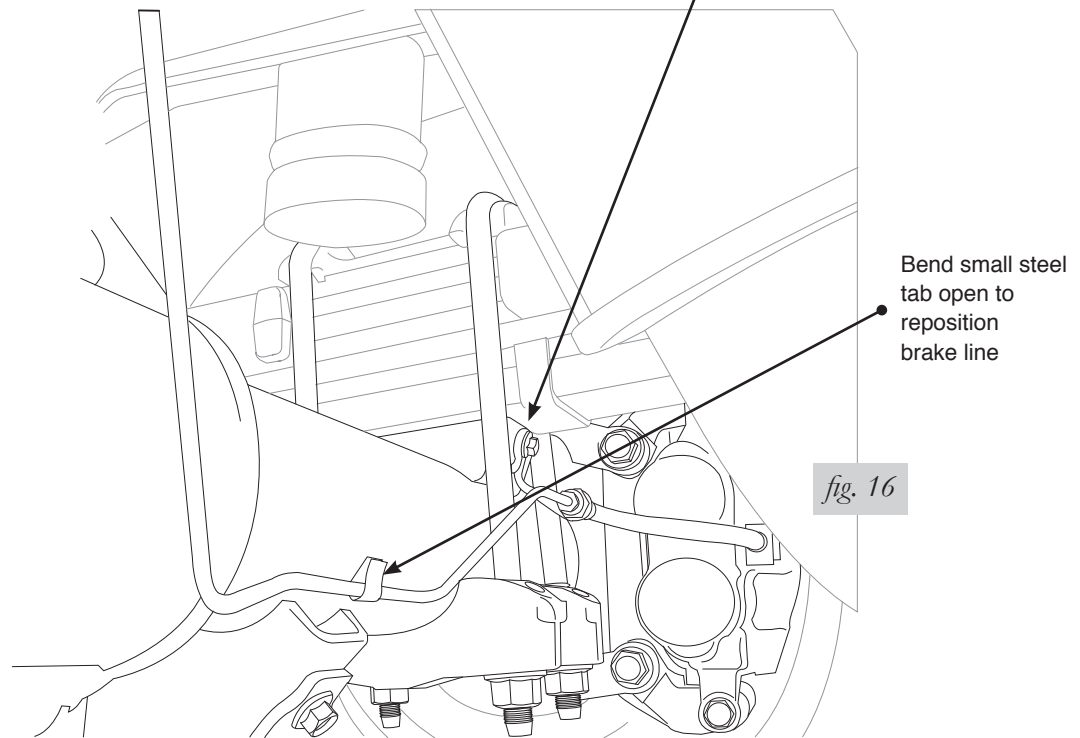
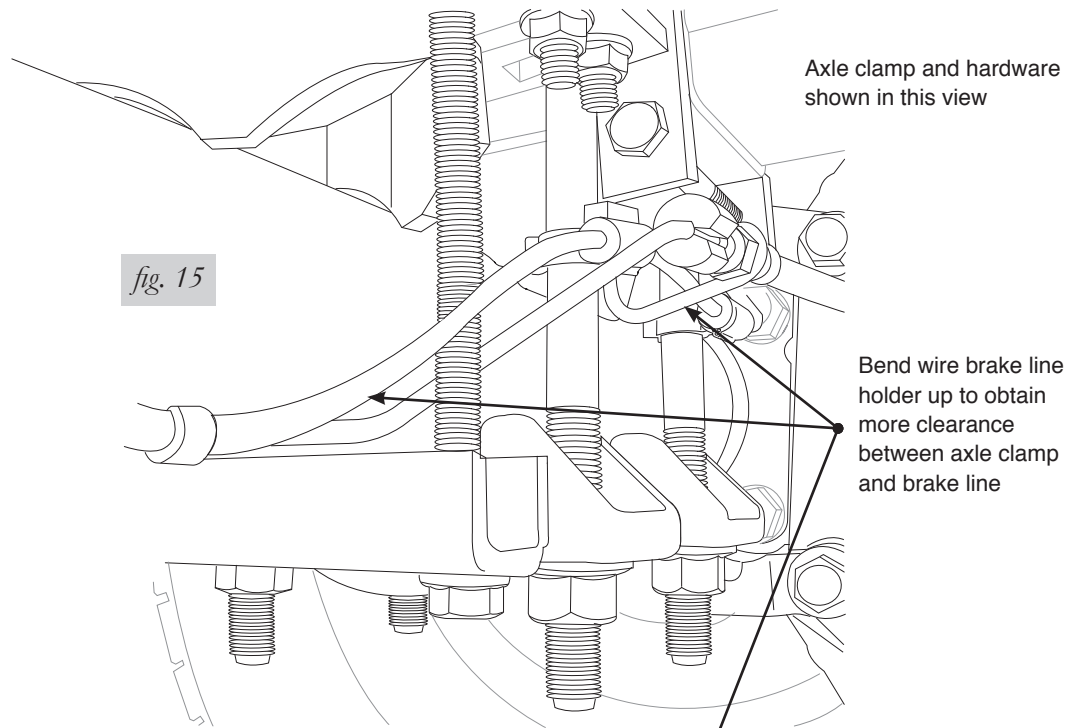
NOTE

On some models it may be necessary to re-position a hard brake line on the back of the passenger side axle. This is necessary so that the line does not get pinched by the axle clamp that will be installed in step 5.

For models that have the line held in by a plastic clip on the shock/sway bar bracket, bend the wire brake line bracket (that is attached to the spring perch) up to create clearance between the brake line and the axle clamp (Fig. 15).

For models that have a small steel tab holding the brake line to the axle, pry tab open enough so that the line can move, then bend the wire brake line bracket (that is attached to the spring perch) up to create clearance between the brake line and the axle clamp (Fig. 16).

- Carefully draw the side hardware and axle hardware evenly. Torque the spring clamp bar bolts to 10 lb.-ft. and the axle clamp bar bolts to 16lb.-ft. Repeat for the opposite side. Trim the long carriage bolts below the nyloc nuts if necessary.



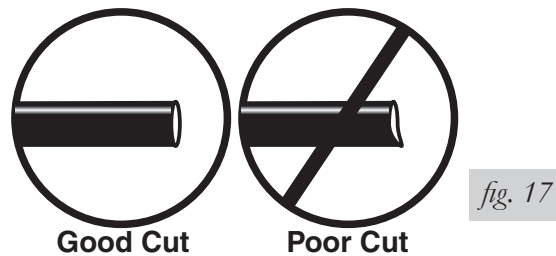
INSTALLING THE AIR LINES

1. Choose a convenient location for mounting the inflation valves. Popular locations for the inflation valve are:
 - a. The wheel well flanges
 - b. The license plate recess in bumper
 - c. Under the gas cap access door
 - d. Through the license plate

NOTE

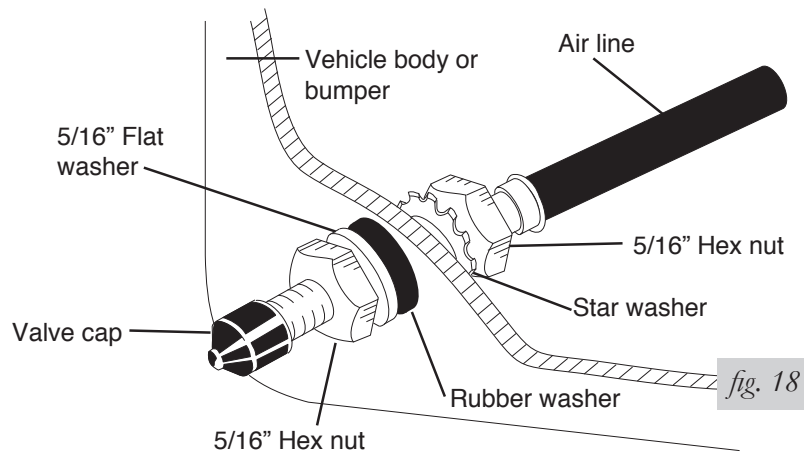
Whatever the chosen location, make sure there is enough clearance around the inflation valves for an air chuck.

2. Drill two 5/16" holes to install the inflation valves.
3. Cut the air line assembly in two equal lengths.

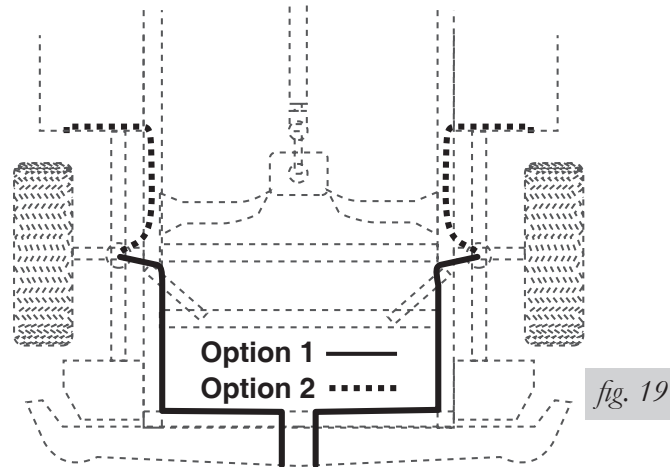


CAUTION

WHEN CUTTING OR TRIMMING THE AIR LINE, USE A HOSE CUTTER, A RAZOR BLADE, OR A SHARP KNIFE. A CLEAN, SQUARE CUT WILL PREVENT LEAKS. DO NOT USE WIRE CUTTERS OR SCISSORS TO CUT THE AIR LINE. THESE TOOLS MAY FLATTEN OR CRIMP THE AIR LINE CAUSING IT TO LEAK AROUND THE O-RING SEAL INSIDE THE ELBOW FITTING (FIG. 17).



4. Place a 5/16" nut and star washer on the air valve. Leave enough of the inflation valve in front of the nut to extend through the hole and have room for the rubber washer, flat washer, and 5/16" nut and cap. There should be enough valve exposed after installation—approximately 1/2"—to easily apply a pressure gauge or an air chuck (Fig. 18).
5. Push the inflation valve through the hole and use the rubber washer, flat washer, and another 5/16" nut to secure it in place. Tighten the nuts to secure the assembly.
6. Route the air line along the frame to the air fitting on the air spring (Fig. 19). Keep AT LEAST 6" of clearance between the air line and heat sources, such as the exhaust pipes, muffler, or catalytic converter. Avoid sharp bends and edges. Use the plastic tie straps to secure the air line to fixed, non-moving points along the chassis. Be sure that the tie straps are tight, but do not pinch the air line. Leave at least 2" of slack to allow for any movement that might pull on the air line.



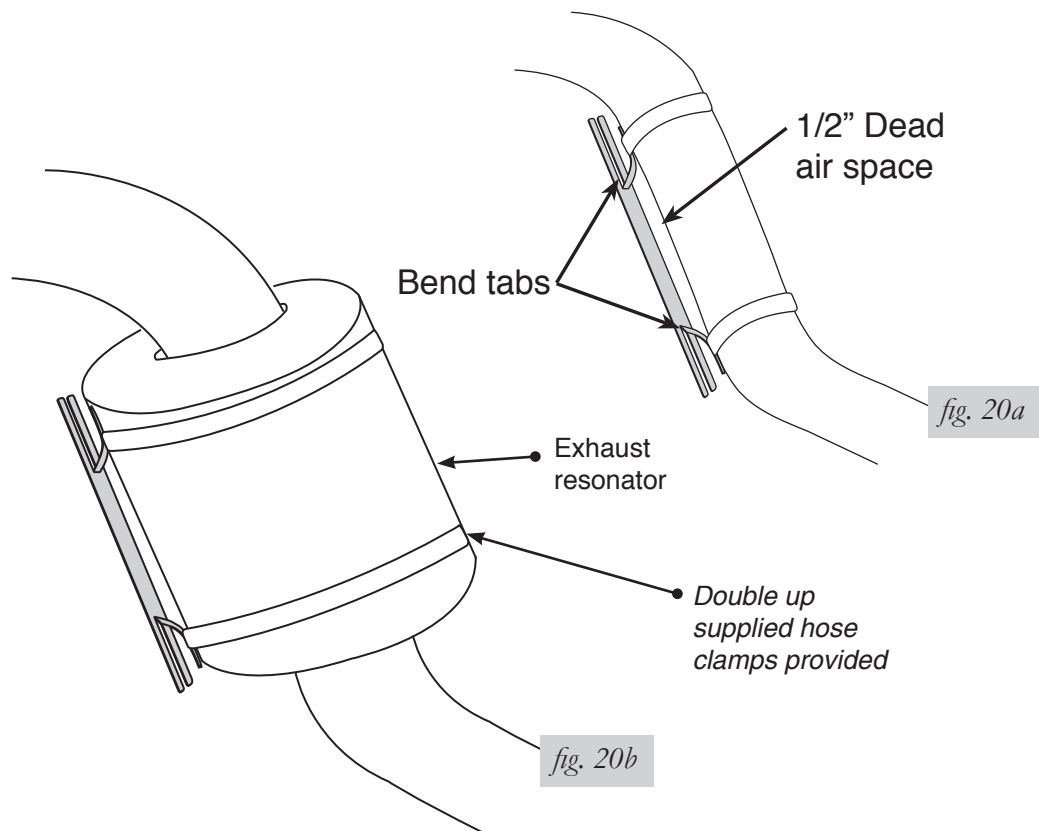
7. Cut off the air line, leaving approximately 12" of extra air line. A clean square cut will ensure against leaks. Insert the air line into the air fitting. This is a push-to-connect fitting. Simply push the air line into the 90° swivel fitting until it bottoms out (9/16" of air line should be in the fitting).

INSTALLING THE HEAT SHIELD

1. Bend tabs to provide a 1/2" dead air space between exhaust pipe and heat shield (Fig. 20a).
2. Attach the heat shield to the exhaust pipe using the clamps. Bend the heat shield for maximum clearance to the air spring (Fig. 20a).

NOTE

Some vehicles have large resonators in this area, it will be necessary to double up on the clamps to fit these models (Fig. 20b).



CHECKING FOR LEAKS

1. Inflate the air spring to 30 PSI.
2. Spray all connections and the inflation valves with a solution of 1/5 liquid dish soap and 4/5 water. Spot leaks easily by looking for bubbles in the soapy water.
3. After the test, deflate the springs to the minimum pressure required to restore the system to normal ride height. Do not deflate to lower than 5 PSI.
4. Check the air pressure again after 24 hours. A 2 - 4 PSI loss after initial installation is normal. Retest for leaks if the loss is more than 5 lbs.

FIXING LEAKS

1. If there is a problem with the swivel fitting:
 - a. Check the air line connection by deflating the spring and removing the line by pulling the collar against the fitting and pulling firmly on the air line. Trim 1" off the end of the air line. Be sure the cut is clean and square (see Fig. 18). Reinsert the air line into the push-to-connect fitting.
 - b. Check the threaded connection by tightening the swivel fitting another 1/2 turn. If it still leaks, deflate the air spring, remove the fitting, and re-coat the threads with thread sealant. Reinstall by hand tightening as much as possible and then use a wrench for an additional two turns.
2. If there is a problem with the inflation valve:
 - a. Check the valve core by tightening it with a valve core tool.
 - b. Check the air line by removing the air line from the barbed type fitting. Cut the air line off a few inches in front of the fitting and use a pair of pliers or vice grips to pull/twist the air line off of the fitting.



DO NOT CUT OFF THE AIR LINE COMPLETELY AS THIS WILL USUALLY NICK THE BARB AND RENDER THE FITTING USELESS.

BRACKET ALIGNMENT

NOTE

Once tight, the upper and lower bracket will not be parallel and may look like they are out of alignment. This condition will be OK because of the way the lower bracket and upper bracket mounts, also there may be some variance in models and this is considered a normal condition.

Before Operating

INSTALLATION CHECKLIST (To be completed by installer)

- Clearance test — Inflate the air springs to 60 PSI and ensure there is at least 1/2" clearance around each bellow, away from anything that might rub against them. Be sure to check the tire, brake drum, frame, shock absorbers and brake cables.
- Leak test before road test — Inflate the air springs to 60 PSI, check all connections for leaks with a soapy water solution. See page 12 for tips on how to spot leaks. All leaks must be eliminated before the vehicle is road tested.
- Fastener test — Recheck all bolts for proper torque. Axle clamp bar carriage bolt lock nuts should be torqued to 16 lb.-ft. Re-torque after 100 miles.
- Road test — The vehicle should be road tested after the preceding tests. Inflate the air springs to 25 PSI (50 PSI if the vehicle is loaded). Drive the vehicle 10 miles and recheck for clearance, loose fasteners and air leaks.
- Operating instructions — If professionally installed, the installer should review the Product Use, Maintenance and Servicing section on page 14 with the owner. Be sure to provide the owner with all of the paperwork which came with the kit.

Technician's Signature _____

Date _____

POST-INSTALLATION CHECKLIST

- Overnight leak down test — Recheck air pressure after the vehicle has been used for 24 hours. If the pressure has dropped more than 5 PSI, then there is a leak that must be fixed. Either fix the leak yourself or return to the installer for service.
- Air pressure requirements — Regardless of load, the air pressure should always be adjusted to maintain ride height at all times.
- Thirty day or 500 mile test — Recheck the air spring system after 30 days or 500 miles, whichever comes first. If any part shows signs of rubbing or abrasion, the source should be identified and moved, if possible. If it is not possible to relocate the cause of the abrasion, the air spring may need to be remounted. If professionally installed, the installer should be consulted. Check all fasteners for tightness.

Product Use, Maintenance and Servicing

Minimum Recommended Pressure	Maximum Air Pressure
5 PSI	100 PSI

MAINTENANCE GUIDELINES

NOTE

By following the steps below, vehicle owners will obtain the longest life and best results from their air springs.

1. Check the air pressure weekly.
2. Always maintain normal ride height. Never inflate beyond 100 PSI.
3. If you develop an air leak in the system, use a soapy water solution (1/5 liquid dish soap and 4/5 water) to check all air line connections and the inflation valve core before deflating and removing the air spring.

CAUTION

FOR YOUR SAFETY AND TO PREVENT POSSIBLE DAMAGE TO YOUR VEHICLE, DO NOT EXCEED MAXIMUM GROSS VEHICLE WEIGHT RATING (GVWR), AS INDICATED BY THE VEHICLE MANUFACTURER. ALTHOUGH YOUR AIR SPRINGS ARE RATED AT A MAXIMUM INFLATION PRESSURE OF 100 P.S.I., THE AIR PRESSURE ACTUALLY NEEDED IS DEPENDANT ON YOUR LOAD AND GVWR.

4. Loaded vehicles require at least 25 PSI or more. A “loaded vehicle” refers to a vehicle with a heavy bed load, a trailer, or both. As discussed above, never exceed GVWR, regardless of air spring, air pressure, or other load assist. The springs in this kit will support approximately 40 lbs. of load (combined on both springs) for each 1 PSI of pressure. The required air pressure will vary depending on the state of the original suspension. Operating the vehicle below the minimum air spring pressure will void the Air Lift warranty.
5. When increasing load, always adjust the air pressure to maintain the normal ride height. Increase or decrease pressure from the system as necessary to attain normal ride height for optimal ride and handling. Remember that loads carried behind the axle (including tongue loads) require more leveling force (pressure) than those carried directly over the axle.
6. Always add air to springs in small quantities, checking the pressure frequently.
7. Should it become necessary to raise the vehicle by the frame, make sure the system is at minimum pressure (5 PSI) to reduce the tension on the suspension/brake components. Use of on board leveling systems do not require deflation or disconnection.
8. Periodically check the air spring system fasteners for tightness. Also, check the air springs for any signs of rubbing. Realign if necessary.
9. On occasion, give the air springs a hard spray with a garden hose in order to remove mud, sand, gravel or other abrasive debris.

TROUBLESHOOTING GUIDE

1. Leak test the air line connections, the threaded connection into the air spring, and all fittings in the control system.
2. Inspect the air lines to be sure none are pinched. Tie straps may be too tight. Loosen or replace the strap and replace leaking components.
3. Inspect the air line for holes and cracks. Replace as needed.
4. Look for a kink or fold in the air line. Reroute as needed.

FREQUENTLY ASKED QUESTIONS

Q. Will installing air springs increase the weight ratings of a vehicle?

No. Adding air springs will not change the weight ratings (GAWR, GCWR and/or GVWR) of a vehicle. Exceeding the GVWR is dangerous and voids the Air Lift warranty.

Q. Is it necessary to keep air in the air springs at all times and how much pressure will they need?

For LoadLifter 5000 Ultimate, the recommended minimum air pressure is 5 PSI, but it can safely be run at zero air pressure.

Q. Is it necessary to add a compressor system to the air springs?

No. Air pressure can be adjusted with any type of compressor as long as it can produce sufficient pressure to service the springs. Even a bicycle tire pump can be used, but it's a lot of work.

Q. How long should air springs last?

If the air springs are properly installed and maintained they can last indefinitely.

Q. Will raising the vehicle on a hoist for service work damage the air springs?

No. The vehicle can be lifted on a hoist for short-term service work such as tire rotation or oil changes. However, if the vehicle will be on the hoist for a prolonged period of time, support the axle with jack stands in order to take the tension off of the air springs.

TUNING THE AIR PRESSURE

Pressure determination comes down to three things — level vehicle, ride comfort, and stability.

1. Level vehicle

If the vehicle's headlights are shining into the trees or the vehicle is leaning to one side, then it is not level (Fig. 2.1). Raise the air pressure to correct either of these problems and level the vehicle.

2. Ride comfort

If the vehicle has a rough or harsh ride it may be due to either too much pressure or not enough (Fig. 2.2). Try different pressures to determine the best ride comfort.

3. Stability

Stability translates into safety and should be the priority, meaning the driver may need to sacrifice a perfectly level and comfortable ride. Stability issues include roll control, bounce, dive during braking and sponginess (Fig. 2.3). Tuning out these problems usually requires an increase in pressure.



Bad headlight aim *fig. 2.1*



Rough ride *fig. 2.2*



Sway and body roll *fig. 2.3*

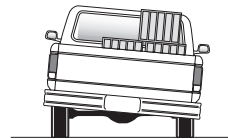
GUIDELINES FOR ADDING AIR

1. Start with the vehicle level or slightly above.
2. When in doubt, always add air.
3. If the front of the vehicle dives while braking, increase the pressure in the front air bags, if equipped.
4. If it is ever suspected that the air bags have bottomed out, increase the pressure (Fig. 2.4).
5. Adjust the pressure up and down to find the best ride.
6. If the vehicle rocks and rolls, adjust the air pressure to reduce movement.
7. It may be necessary to maintain different pressures on each side of the vehicle. Loads such as water, fuel, and appliances will cause the vehicle to be heavier on one side (Fig. 2.5). As much as a 50 PSI difference is not uncommon.

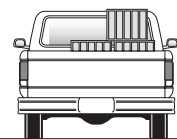


Bottoming out

fig. 2.4



Unlevel



Level

fig. 2.5

Choosing the Right On-Board Air Compressor System

60 DAY NO QUESTIONS ASKED, MONEY-BACK GUARANTEE

TWO-YEAR COMPRESSOR SYSTEM WARRANTY

Add an on-board air compressor system to inflate and deflate your air springs automatically or with the touch of a button — from inside or outside of the vehicle.

- For convenient, on-the-go control of your air springs, add an Air Lift on-board air compressor system.
- Air Lift on-board air compressor systems eliminate the search for gas stations that have a working compressor, saving you time, energy and money.
- All systems include a compressor, controller and all parts needed for easy installation.

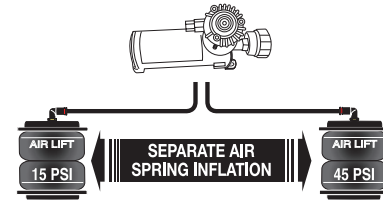
1. Choose single or dual path inflation (see illustrations at right)

2. Choose wireless, analog control or automatic

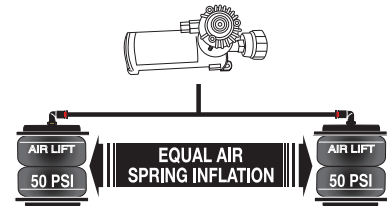
- **Wireless:** Control your air springs from inside or outside the vehicle. Easiest installation — no wires to the cab.
- **Analog:** In-cab control of your air springs. Economically priced.
- **Automatic:** Self-leveling system, keeps the vehicle level no matter what.

3. Choose heavy or standard duty compressor

- **Standard duty:** A standard duty compressor will work well for most customers who use their system on an intermittent basis.
- **Heavy duty:** For daily use, consider the heavy-duty compressor — it inflates faster and more quietly than the standard compressor.



Dual path systems Air springs are controlled separately to allow for different air pressure from side-to-side. Perfect for uneven or top-heavy loads.



Single path systems Two springs will inflate at the same time. Good for loads that are evenly distributed from left-to-right or front-to-back.

W I R E L E S S

A N A L O G

A U T O M A T I C

WirelessAIR™

OUR PREMIUM SYSTEM!

- Easy installation
- Includes heavy-duty compressor



P/N 72000

LoadCONTROLLER™

Dual

Compact, economically priced control.

P/N Standard Duty Compressor 25850; P/N Heavy Duty Compressor 25854



WirelessONE™

- Easy installation
- Includes standard-duty compressor



P/N 25870

LoadCONTROLLER™

Single

Compact, economically priced control.

P/N Standard Duty Compressor 25852; P/N Heavy Duty Compressor 25856



SmartAIR™ II

- Easy installation
- Automatic self-leveling system
- No in-cab controls required



Single Path P/N 25490, Dual Path P/N 25491