

Load**LIFTER** 5000™ **ULTIMATE**

ADJUSTABLE AIR HELPER SPRINGS

TOW AND HAUL WITH SAFETY AND COMFORT™



Kit Number
88393

INSTALLATION GUIDE

For maximum effectiveness and safety, please read these instructions completely before proceeding with installation.

Failure to read these instructions can result in an incorrect installation.

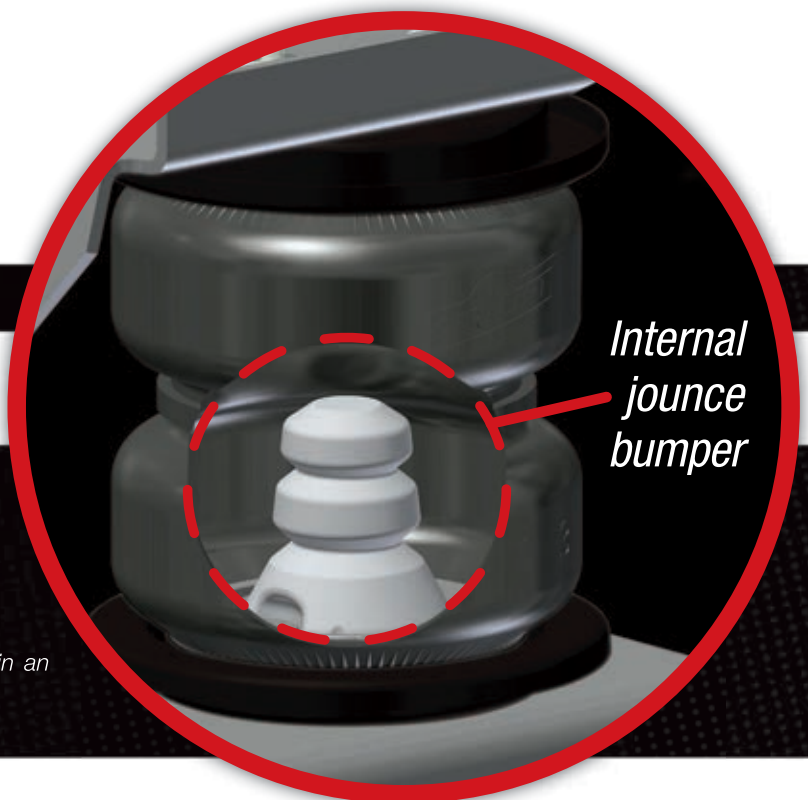


TABLE OF CONTENTS

Introduction	2
Important Safety Notice	2
Notation Explanation	2
Installation Diagram	3
Hardware and Tools Lists	4
Installing the LoadLifter 5000 Ultimate System	5
Getting Started	5
Side Brace Installation	6
Bellows and Bracket Assembly	6
Securing Emergency Brake Cable on the Axle	8
Attaching the Assemblies to the Frame	8
Installing the Air Lines	10
Installing the Heat Shield	12
Checking for Leaks	12
Fixing Leaks	12
Before Operating	13
Installation Checklist	13
Post-Installation Checklist	13
Product Use, Maintenance and Servicing	14
Minimum and Maximum Pressure	14
Maintenance Guidelines	14
Troubleshooting Guide	14
Frequently Asked Questions	15
Tuning the Air Pressure	15
Guidelines for Adding Air	16
Choosing the Right On-Board Air Compressor System	17
Warranty and Returns Policy	18
Replacement Information	19
Contact Information	19

Introduction

The purpose of this publication is to assist with the installation, maintenance and troubleshooting of the LoadLifter 5000 Ultimate air spring kit. LoadLifter 5000 Ultimate utilizes sturdy, reinforced, commercial grade single or double, depending on the kit, convolute bellows. The bellows are manufactured like a tire with layers of rubber and cords that control growth. An internal jounce bumper inside the spring absorbs shock and eliminates harsh jarring on rough roads. The internal jounce bumper replaces the factory bumper and allows the air springs to safely be run at zero air pressure. LoadLifter 5000 Ultimate kits are recommended for most $\frac{3}{4}$ and 1 ton pickups and SUVs with leaf springs and provide up to 5,000 lbs. of load leveling support with air adjustability from 5-100 PSI. The kits are also used in motorhome rear kits and some motorhome fronts where leaf springs are used.

It is important to read and understand the entire installation guide before beginning installation or performing any maintenance, service or repair. The information here includes a hardware list, tool list, step-by-step installation information, maintenance tips, safety information and a troubleshooting guide.

IMPORTANT SAFETY NOTICE

The installation of this kit does not alter the Gross Vehicle Weight Rating (GVWR) or payload of the vehicle. Check your vehicle's owner's manual and do not exceed the maximum load listed for your vehicle.

Gross Vehicle Weight Rating: The maximum allowable weight of the fully loaded vehicle (including passengers and cargo). This number — along with other weight limits, as well as tire, rim size and inflation pressure data — is shown on the vehicle's Safety Compliance Certification Label.

Payload: The combined, maximum allowable weight of cargo and passengers that the vehicle is designed to carry. Payload is GVWR minus the Base Curb Weight.

NOTATION EXPLANATION

Hazard notations appear in various locations in this publication. Information which is highlighted by one of these notations must be observed to help minimize risk of personal injury or possible improper installation which may render the vehicle unsafe. Notes are used to help emphasize areas of procedural importance and provide helpful suggestions. The following definitions explain the use of these notations as they appear throughout this guide.

INDICATES IMMEDIATE HAZARDS WHICH WILL RESULT IN SEVERE PERSONAL INJURY OR DEATH.

INDICATES HAZARDS OR UNSAFE PRACTICES WHICH COULD RESULT IN SEVERE PERSONAL INJURY OR DEATH.

INDICATES HAZARDS OR UNSAFE PRACTICES WHICH COULD RESULT IN DAMAGE TO THE MACHINE OR MINOR PERSONAL INJURY.



NOTE

Indicates a procedure, practice or hint which is important to highlight.

Hardware and Tools Lists

HARDWARE LIST

Item	Part #	Description	Qty	Item	Part #	Description	Qty
A	03115	Lower Bracket.....	2	V	18438	5/16-18 Nyloc Nut	4
B	07996	Upper Brace.....	2	W	18444	3/8" Flat Washer	9
C	07997	Upper Bracket.....	2	X	18460	1/2-13 Nyloc Nut	2
D	01531	Axle Clamp Bar.....	2	Y	18556	3/4" Flat Washer	2
E	11967	Roll Plate.....	4	Z1	13964	Spacer.....	2
F	58496	Bellows.....	2	Z2	13978	Spacer.....	2
G	10181	Emergency Brake Cable Clamp.....	2	AA	18443	7/16 Spacer.....	1
H	10886	"L" Bracket	1	BB	18495	M10-1.5 Nyloc Nut	1
I	11400	Adapter Bracket	2	CC	21837	90° Swivel Elbow Fitting.....	2
J	17103	5/16-18 x 1" Hex Head Cap Screw	4	DD	17203	3/8-24 x 7/8" Hex Head Cap Screw	8
K	17135	1/4-20 x 1" Hex Head Cap Screw	1	EE	18427	3/8" Split Lock Washer.....	8
L	17141	3/8-16 x 2.5" Carriage Bolt.....	2	FF*	20086	Air Line Assembly	1
M	17163	3/8-16 x 7" Carriage Bolt.....	4	GG*	10466	Zip Ties	6
N	17268	M10-1.5 x 35 Hex Flange Bolt	1	HH*	18411	5/16" Flat Washer	2
O	17271	1/2-13 x 3" Hex Head Cap Screw	2	II*	21230	Valve Caps.....	2
P	17361	3/8-16 x 1.25" Carriage Bolt.....	4	JJ*	21233	5/16" Hex Nut.....	2
Q	18207	1/2" Large Flat Thick Washer.....	6	KK*	21234	Rubber Washer.....	2
R	18419	Flat Washer, #12.....	2	LL*	18401	Star Washer	2
S	18425	1/4-20 Nyloc Nut	1	MM*	34924	Heat Shield Kit	1
T	18433	5/16" Flat Washer	8	NN	17208	1/2-13 x 2.00" Hex Head Cap Screw	2
U	18435	3/8-16 Nyloc Nut	10				

*Not shown

TOOLS LIST

Description.....	Qty
7/16" and 9/16" Open-end or box wrenches.....	2
Crescent wrench.....	1
Ratchet with 3/8", 9/16", & 1/2" deep well sockets.....	1
5/16" drill bits (very sharp).....	1
DIR grinder	1
Hacksaw	1
Heavy duty drill.....	1
Torque wrench.....	1
Standard, metric and SAE sockets and wrenches	1
Hose cutter, razor blade, or sharp knife	1
Hoist or floor jacks.....	1
Safety stands.....	1
Safety glasses	1
Air compressor or compressed air source.....	1
Spray bottle with dish soap/water solution	1

Installing the LoadLifter 5000 Ultimate System

GETTING STARTED

1. Raise the vehicle and support the axle with jack stands, setting the jack stands as wide as possible on the axle (fig. 2).

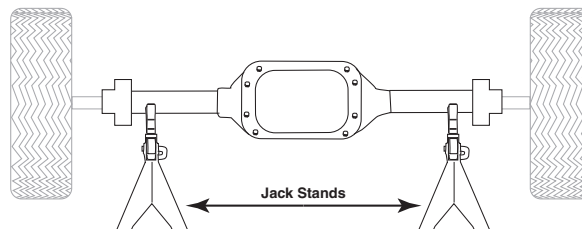


fig. 2

2. Remove the jounce bumpers from under the frame, over the axle.
3. If necessary, disconnect the wiring harness from the driver side frame rail to gain clearance for the upper bracket.
4. If you have a fifth wheel hitch already installed, it will be necessary to remove the $\frac{3}{4}$ " hardware that bolts the side bracket to the outside of the frame above the axle (fig. 1).

NOTE

Some hitch models have a spacer between the bracket and the frame rail. Be sure to reinstall the spacer when attaching the upper bracket.

5. In order to obtain clearance between the upper bracket and the emergency brake cable bolt, on the inside of the frame, it will be necessary to remove the bolt and re-insert through the emergency brake cable bracket, from the outside of the frame in. Install the $\frac{7}{16}$ " spacer (AA) on the bolt and cap with the new M10-1.5 nyloc nut (BB) (fig. 1). Tighten hardware securely.

NOTE

If your model truck has emission lines running along the inside of the frame rail (fig. 3), it will be necessary to relocate those lines as follows. Follow the directions in the section, "Attaching the Assemblies to the Frame" for reattaching these lines.

- Carefully push the line holder out of the frame above the axle. Try to minimize damage because it will be reused later. It may also be helpful to remove any holders forward or rearward of the axle to aid in positioning the lines once the upper bracket has been installed (fig. 3).
- Attach the L-bracket (H) to the back or front leg of the frame brace using the $\frac{1}{4}$ -20 x 1 hex head bolt (K), flat washers (R) and $\frac{1}{4}$ -20 nyloc nut (S) supplied (fig. 1). This L-bracket will eventually be used to attach the previously removed emissions line. Do not attach the line holder to it at this time.

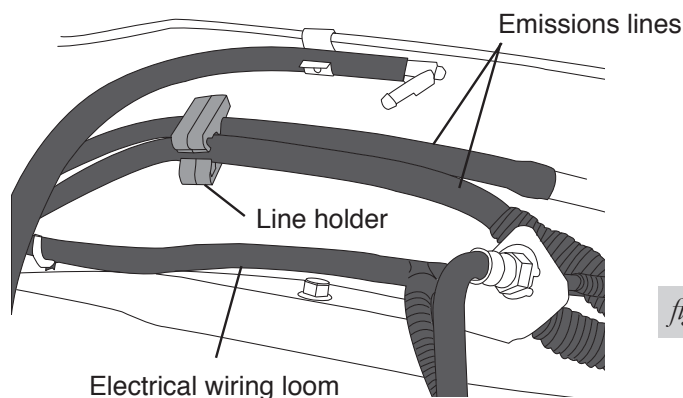
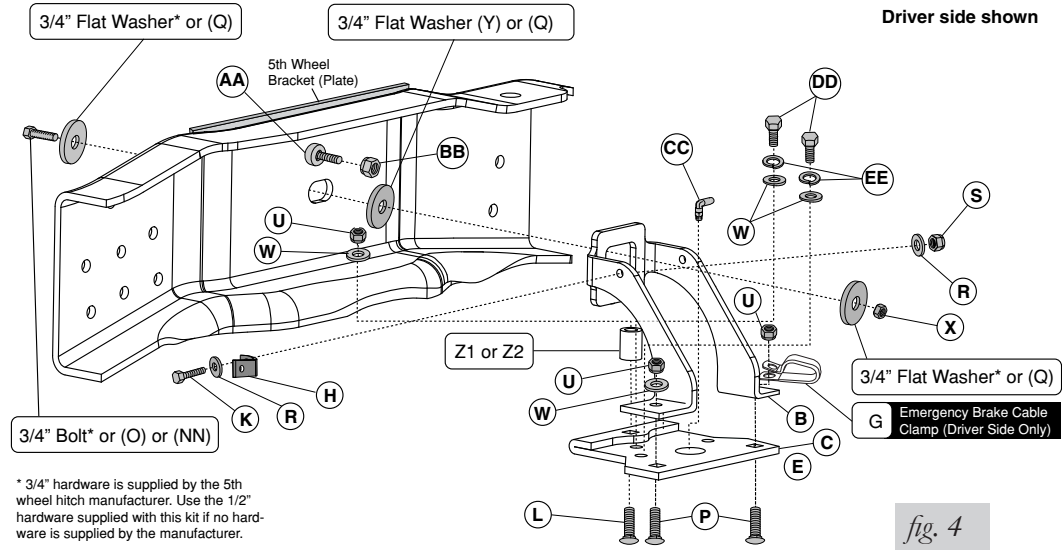


fig. 3

SIDE BRACE INSTALLATION



* 3/4\" hardware is supplied by the 5th wheel hitch manufacturer. Use the 1/2\" hardware supplied with this kit if no hardware is supplied by the manufacturer.

fig. 4

1. Set the upper brace (B) into the driver and passenger side frame (fig. 4).

If you have a fifth wheel hitch that does not have a plate running alongside the full length of the frame (these will have an “L” bracket forward and behind the axle leaving the middle frame open) use the 1/2-13 x 2.00” Hex Cap Screw (NN) with a flat washer (Q) through the slot in the side of the frame, then through another flat washer (Q) and finally through the upper brace. Cap with a flat washer (Q) and a 1/2-13 nyloc nut (X) (fig. 4). Leave loose at this time.

OR

If you have an aftermarket fifth wheel hitch that has a bracket (plate) running along side of the frame and it used this slot to secure the bracket to the frame with existing hardware, install the existing hardware previously removed in the “getting started section” from the fifth wheel installation for securing the brace (fig. 4). Make sure to install the large 3/4” flat washer (Y) between the brace and frame (figs. 1 and 4). Do not tighten at this time.

OR

If you have an aftermarket fifth wheel hitch that has a bracket (plate) running along side of the frame and it does not have any attaching hardware on the side where the slot in the frame is, it will be necessary to drill a 1/2” hole through the plate using the slot in the frame as a template.

NOTE

It may be necessary to mark and remove the bracket (plate) from the side of the frame in order to drill the hole correctly. Re-attach once the hole is drilled.

Insert a 1/2-13 x 3 hex head cap screw (O) with a 1/2” thick flat washer (Q) through the fifth wheel plate previously drilled, the frame, then through another 1/2” thick flat washer (Q) and finally the upper frame brace. Cap with a 1/2” thick flat washer (Q) and a 1/2”-13 Nyloc nut (X) (fig. 4). Leave loose at this time.

BELLOWS AND BRACKET ASSEMBLY

1. Set a roll plate (E) over the top and bottom of the bellows (F) (fig. 1).

NOTE

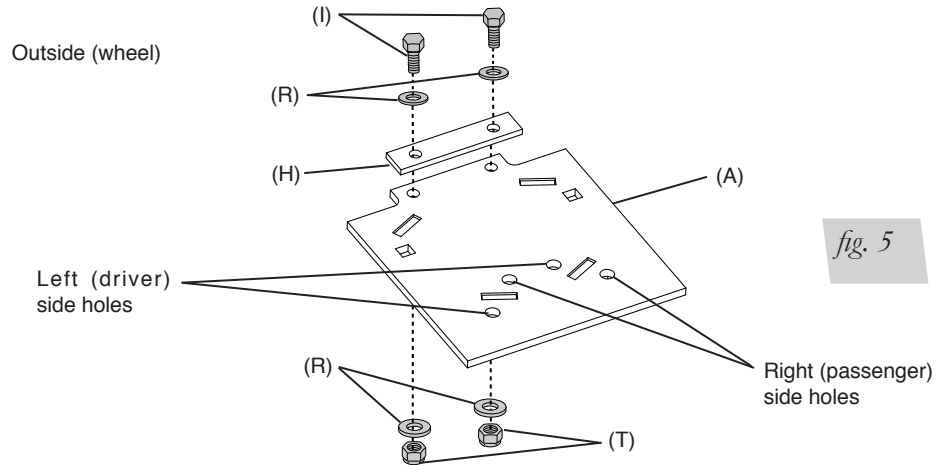
The radiused (rounded) edge of the roll plate (E) will be towards the bellows so that the bellows is seated inside both roll plates.

2. Install the swivel elbow fitting (CC) into the top of the bellows finger tight. Tighten the swivel fitting one and a half turns.

- The lower bracket (A) has two sets of bellows mounting holes. Using the corresponding holes in the lower bracket designated (fig. 5), attach the bellows to the brackets using the 3/8" flat washers (W), lock washers (EE), and 3/8"-24 x 7/8" hex head cap screws (DD). Tighten both mounting screws securely.

NOTE

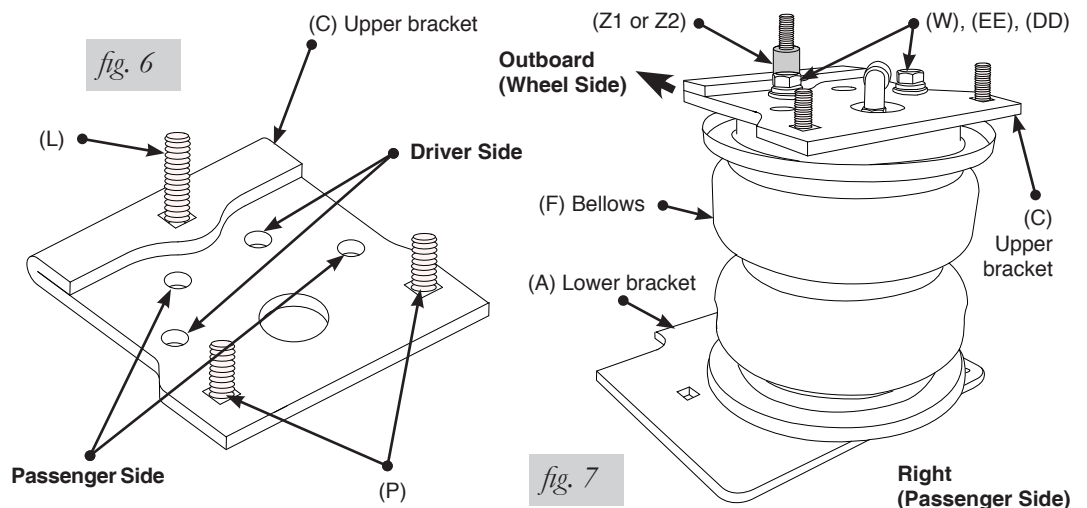
The fitting on top of the bellows points inward (fig. 7).



- Insert two 3/8"-16 x 1.25" carriage bolts (P) up through the bottom of the upper brackets (fig. 6), through the two square holes that are on the corresponding side. Also, insert one 3/8"-16 x 2.5" carriage bolt (L) through the remaining hole. The head of this carriage bolt will be hidden once mounted to the bellows.
- Set the driver side (left) upper bracket onto the driver side bellows assembly previously assembled, using the holes in the upper bracket designated (fig. 6), and attach to the bellows with two 3/8" flat washers (W), lock washers (EE), and 3/8"-24 x 7/8" hex head cap screws (DD). Tighten both mounting screws securely.
- Repeat the above process for the opposite side assembly (fig. 7).
- Depending on the model of the truck, there are two spacer (Z1 or Z2) lengths that are supplied to properly fit between the frame jounce bumper bracket and frame. Use the spacer that can be inserted where the stock jounce bumper was removed, which when butted against the frame, will be flush (or close to) the bottom of the jounce bumper bracket that is riveted to the frame.

NOTE

The upper bracket, when in position, should rest on the spacer and the stock jounce bumper bracket.

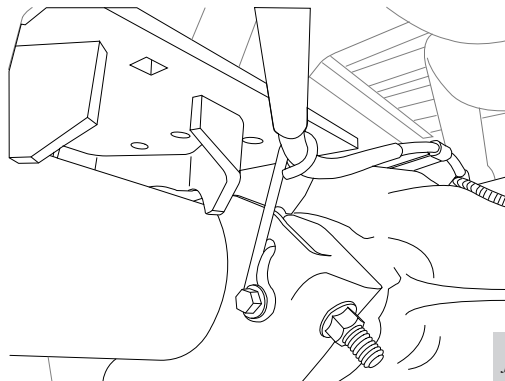


SECURING EMERGENCY BRAKE CABLE ON THE AXLE

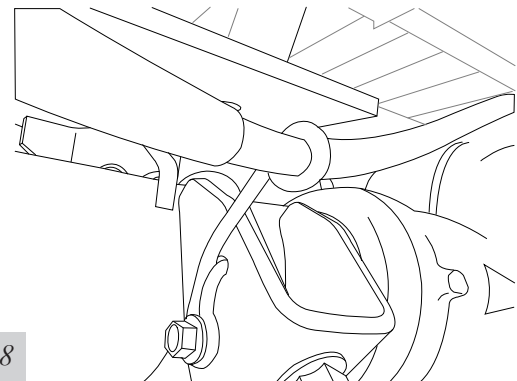
NOTE

The emergency brake cable that goes to the right side of the vehicle will have to be modified in order for the lower bracket to sit on the axle properly.

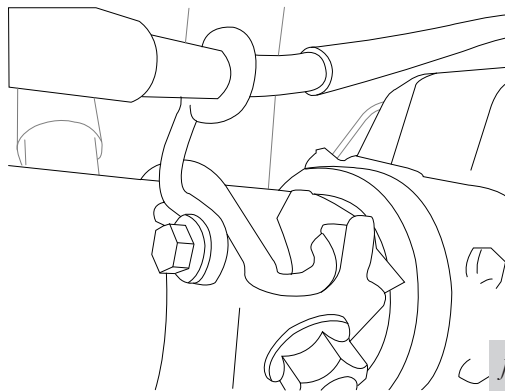
- If you have an F-250, or your cable is secured like what is in fig. 8, just bend the wire bracket forward and down at the same time. This will move the cable forward and down, clearing the bottom of the lower bracket.
- If you have an F-350, or your cable is secured like what is in fig. 9, remove the wire cable holder off the side of the sway bar bracket that is attached to the axle and remove the top bolt (if so equipped) that holds the sway bar strap on (discard the holder and both bolts). Attach the emergency brake cable clamp (G) to the brake cable and attach the frame clamp to the top sway bar hole that the bolt was previously removed from using the M10 flange bolt supplied (N) (fig. 9). Tighten securely.



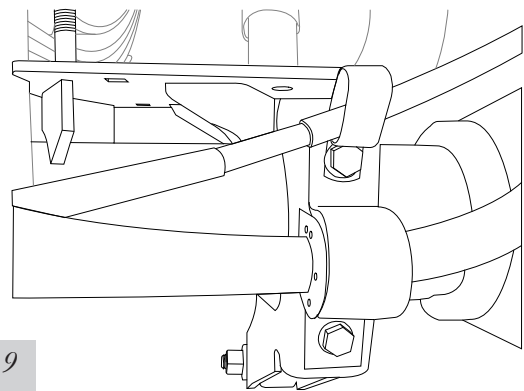
Wire bracket on emergency brake cable (F-250)



Bend wire bracket forward and down to clear bracket



Wire bracket on emergency brake cable (F-350)



Attach frame clamp using new flange bolt, bend slightly

ATTACHING THE ASSEMBLIES TO THE FRAME

The F-250 models usually have a 3.50" diameter axle tube. In order for the lower bracket to fit correctly, no adapter will be needed for these vehicles.

The F-350 models usually have a 4.00" diameter axle tube and require the use of an adapter (I) that mounts to the lower bracket in order for it to "nest" into position between the stock u-bolts (fig. 1).

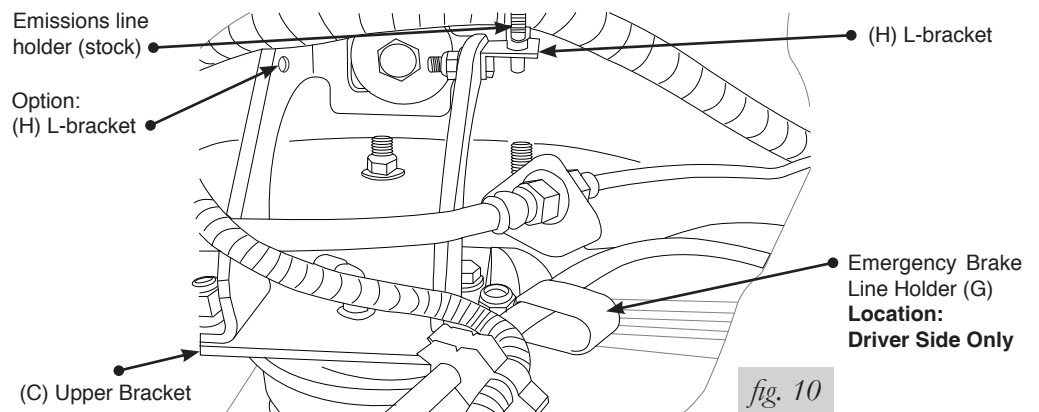
1. Attach the adapter (I) to the lower bracket (A) using two 5/16 bolts (J) four flat washers (T) and two nyloc nuts (V) (fig. 5 or 11). Tighten securely.
2. If not done so yet, drop the axle or raise the frame up to make room for the assemblies to be put into position.

3. Set the left (driver side) assembly onto the axle (fig. 1). Raise the axle just enough to insert the 3/8-16 x 2.5 long carriage bolt (L) (that is installed in the upper bracket) through the existing jounce bumper hole in the bottom of the frame. At the same time, line up the upper brace previously installed onto the remaining two 3/8-16 x 1.25 carriage bolts (P) in the upper bracket. Do this just enough for the carriage bolt to hold the assembly into position on the axle (fig. 1 or 4).
4. Set the right (passenger side) assembly into position on the axle the same way the left side was positioned (fig. 1 or 4).
5. Raise the axle or lower the frame down so that the round spacer (Z1 or Z2) on the upper bracket inserts into the stock jounce bumper bracket hole (on both sides).
6. Install the 3/8" Flat Washer (W) and a 3/8'-16 Nyloc nut (U) on the 3/8-16 x 2.5 carriage bolt (L) that went through the existing jounce bumper hole and tighten securely on both sides (fig. 1 or 4).

CAUTION

BE SURE NOT TO PINCH THE PREVIOUSLY MOVED WIRING OR LINES INSIDE THE LEFT FRAME RAIL.

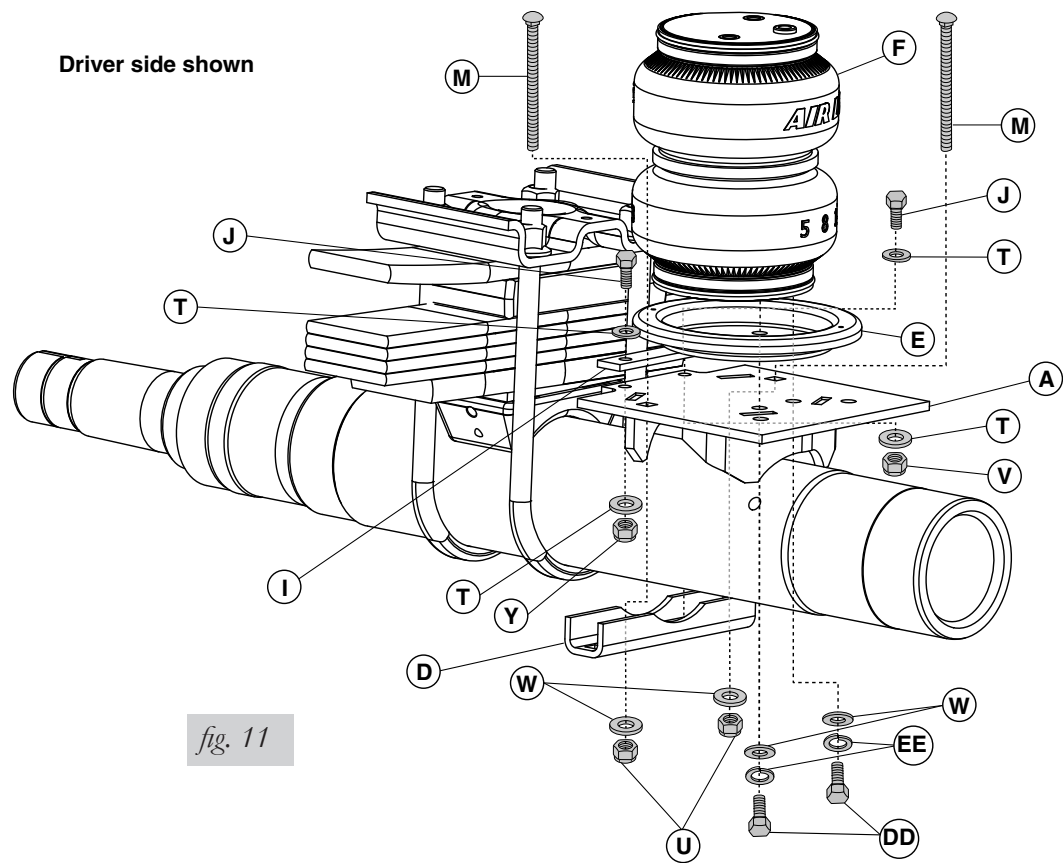
7. Install the emergency brake cable clamp (G) over the emergency brake cable and attach to the forward brace/upper bracket bolt (P) (fig. 1 or 4). Cap with a 3/8" nyloc nut (U).
Both sides: Cap the remaining brace/upper bracket carriage bolts (P) with a 3/8" flat washer (W) and 3/8-16 nyloc nut (U) and tighten all hardware securely.
8. With the spacers (Z1 or Z2) on the upper brackets tight in the frame and the braces tight to the upper bracket, tighten the 1/2 or 3/4" hardware previously installed, that hold the braces to the frame. Tighten both sides securely.
9. If so equipped with the emissions line previously loosened from the frame, insert the line holder post into the L-bracket (H) attached to the back or front leg of the upper left brace (B) (fig. 10). It may be necessary to move the line holder post forward or back on the lines to line up correctly with the L-bracket hole. Reattach any line holders removed forward or behind the axle, if possible, that were removed to aid in positioning the upper bracket.



10. Repeat for the other side of the vehicle.
11. Raise the axle, or lower the body all the way now and push the lower bracket against the leaf spring (fig. 1 or 11).
12. Insert two 3/8" carriage bolts (M) into the square holes in the lower bracket and install the clamp bar (D) onto the carriage bolts (fig. 1 or 11).
13. Cap with a 3/8" flat washer (W) and nyloc nuts (U). Torque both nuts evenly to 16ftlbs.

NOTE

Once tight, the upper and lower bracket will not be parallel and may look like they are out of alignment. This condition will be OK because of the way the lower bracket and upper bracket mounts, also there may be some variance in models and this is considered a normal condition.



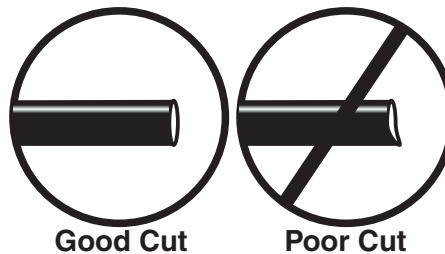
INSTALLING THE AIR LINES

1. Choose a convenient location for mounting the inflation valves. Popular locations for the inflation valve are:
 - a. The wheel well flanges
 - b. The license plate recess in bumper
 - c. Under the gas cap access door
 - d. Through the license plate

NOTE

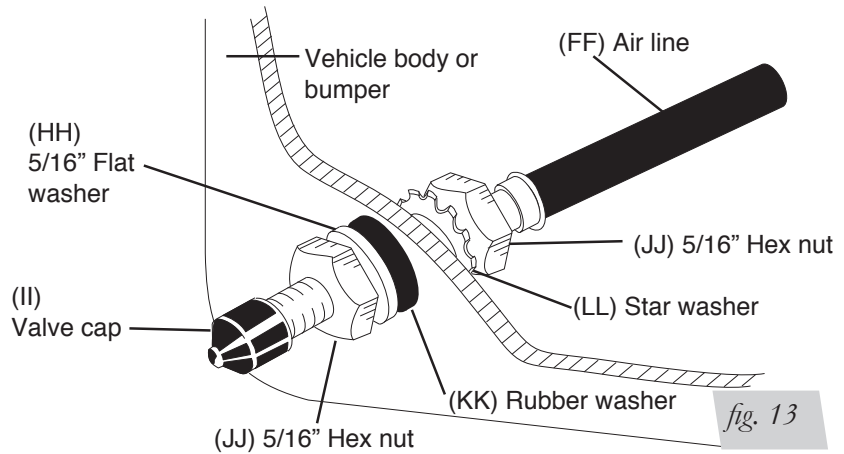
Whatever the chosen location, make sure there is enough clearance around the inflation valves for an air chuck.

2. Drill two 5/16" holes to install the inflation valves.
3. Cut the air line assembly in two equal lengths.

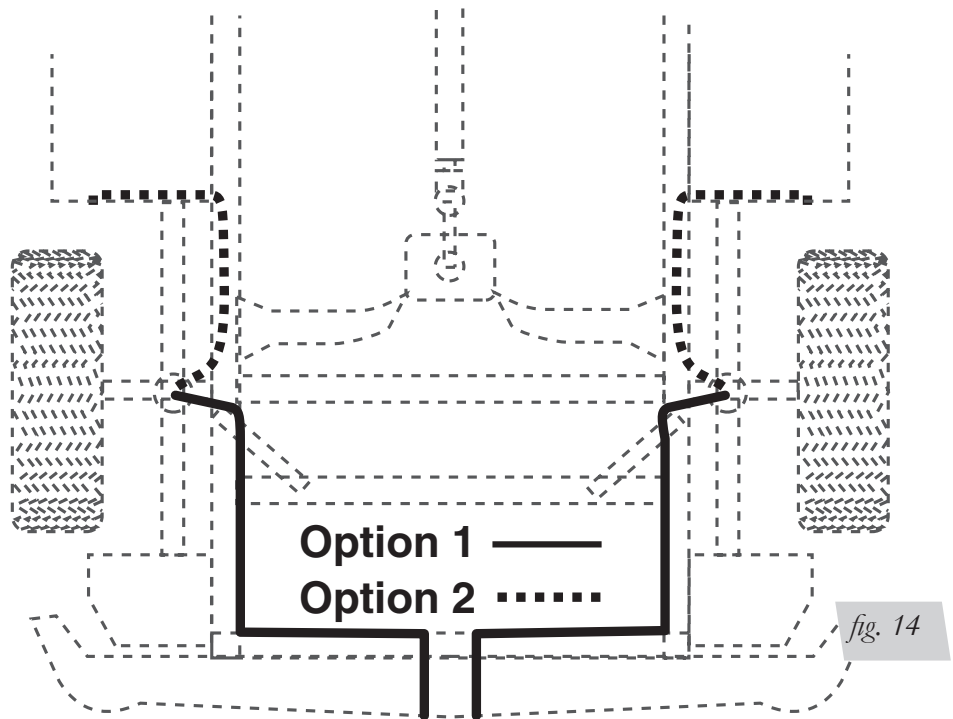


CAUTION

WHEN CUTTING OR TRIMMING THE AIR LINE, USE A HOSE CUTTER, A RAZOR BLADE, OR A SHARP KNIFE. A CLEAN, SQUARE CUT WILL ENSURE AGAINST LEAKS. DO NOT USE WIRE CUTTERS OR SCISSORS TO CUT THE AIR LINE. THESE TOOLS MAY FLATTEN OR CRIMP THE AIR LINE CAUSING IT TO LEAK AROUND THE O-RING SEAL INSIDE THE ELBOW FITTING (FIG. 12).



4. Place a 5/16" nut and star washer on the air valve. Leave enough of the inflation valve in front of the nut to extend through the hole and have room for the rubber washer, flat washer, and 5/16" nut and cap. There should be enough valve exposed after installation—approximately 1/2"— to easily apply a pressure gauge or an air chuck (fig. 13).
5. Push the inflation valve through the hole and use the rubber washer, flat washer, and another 5/16" nut to secure it in place. Tighten the nuts to secure the assembly.
6. Route the air line along the frame to the air fitting on the air spring (fig. 14). Keep AT LEAST 6" of clearance between the air line and heat sources, such as the exhaust pipes, muffler, or catalytic converter. Avoid sharp bends and edges. Use the plastic tie straps to secure the air line to fixed, non-moving points along the chassis. Be sure that the tie straps are tight, but do not pinch the air line. Leave at least 2" of slack to allow for any movement that might pull on the air line.



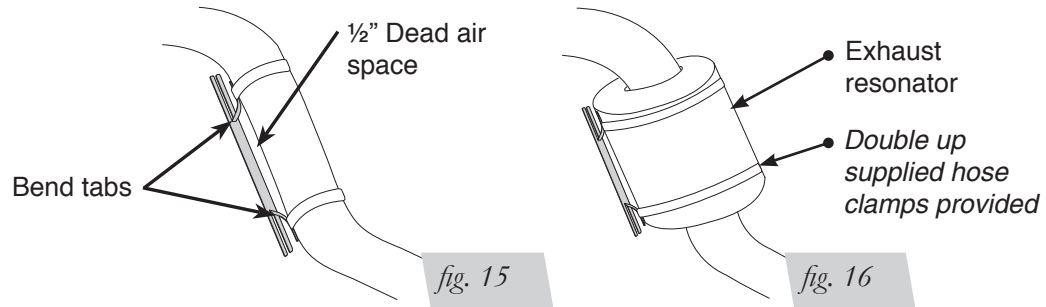
7. Cut off the air line, leaving approximately 12" of extra air line. A clean square cut will ensure against leaks. Insert the air line into the air fitting. This is a push-to-connect fitting. Simply push the air line into the 90° swivel fitting until it bottoms out (9/16" of air line should be in the fitting).

INSTALLING THE HEAT SHIELD

1. Bend tabs to provide a $\frac{1}{2}$ " dead air space between exhaust pipe and heat shield (fig. 15).
2. Attach the heat shield to the exhaust pipe using the clamps. Bend the heat shield for maximum clearance to the air spring (fig. 15).

NOTE

Some vehicles have large resonators in this area, it will be necessary to double up on the clamps to fit these models (fig. 16).



CHECKING FOR LEAKS

1. Inflate the air spring to 30 PSI.
2. Spray all connections and the inflation valves with a solution of $\frac{1}{5}$ liquid dish soap and $\frac{4}{5}$ water. Spot leaks easily by looking for bubbles in the soapy water.
3. After the test, deflate the springs to the minimum pressure required to restore the system to normal ride height. Do not deflate to lower than 5 PSI.
4. Check the air pressure again after 24 hours. A 2 - 4 PSI loss after initial installation is normal. Retest for leaks if the loss is more than 5 lbs.

FIXING LEAKS

1. If there is a problem with the swivel fitting:
 - a. Check the air line connection by deflating the spring and removing the line by pulling the collar against the fitting and pulling firmly on the air line. Trim 1" off the end of the air line. Be sure the cut is clean and square (see fig. 12). Reinsert the air line into the push-to-connect fitting.
 - b. Check the threaded connection by tightening the swivel fitting another $\frac{1}{2}$ turn. If it still leaks, deflate the air spring, remove the fitting, and re-coat the threads with thread sealant. Reinstall by hand tightening as much as possible and then use a wrench for an additional two turns.
2. If there is a problem with the inflation valve:
 - a. Check the valve core by tightening it with a valve core tool.
 - b. Check the air line by removing the air line from the barbed type fitting. Cut the air line off a few inches in front of the fitting and use a pair of pliers or vice grips to pull/twist the air line off of the fitting.

CAUTION

DO NOT CUT OFF THE AIR LINE COMPLETELY AS THIS WILL USUALLY NICK THE BARB AND RENDER THE FITTING USELESS.

Before Operating

INSTALLATION CHECKLIST (To be completed by installer)

- Clearance test — Inflate the air springs to 60 PSI and ensure there is at least ½” clearance around each bellow, away from anything that might rub against them. Be sure to check the tire, brake drum, frame, shock absorbers and brake cables.
- Leak test before road test — Inflate the air springs to 60 PSI, check all connections for leaks with a soapy water solution. See page 12 for tips on how to spot leaks. All leaks must be eliminated before the vehicle is road tested.
- Fastener test — Recheck all bolts for proper torque. Axle clamp bar carriage bolt lock nuts should be torqued to 16 ft/lbs. Re-torque after 100 miles.
- Road test — The vehicle should be road tested after the preceding tests. Inflate the air springs to 25 PSI (50 PSI if the vehicle is loaded). Drive the vehicle 10 miles and recheck for clearance, loose fasteners and air leaks.
- Operating instructions — If professionally installed, the installer should review the Product Use, Maintenance and Servicing section on page 14 with the owner. Be sure to provide the owner with all of the paperwork which came with the kit.

Technician’s Signature _____

Date _____

POST-INSTALLATION CHECKLIST

- Overnight leak down test — Recheck air pressure after the vehicle has been used for 24 hours. If the pressure has dropped more than 5 PSI, then there is a leak that must be fixed. Either fix the leak yourself or return to the installer for service.
- Air pressure requirements — Regardless of load, the air pressure should always be adjusted to maintain ride height at all times.
- Thirty day or 500 mile test — Recheck the air spring system after 30 days or 500 miles, whichever comes first. If any part shows signs of rubbing or abrasion, the source should be identified and moved, if possible. If it is not possible to relocate the cause of the abrasion, the air spring may need to be remounted. If professionally installed, the installer should be consulted. Check all fasteners for tightness.

Product Use, Maintenance and Servicing

Minimum Recommended Pressure	Maximum Air Pressure
5 PSI	100 PSI

MAINTENANCE GUIDELINES

NOTE

By following the steps below, vehicle owners will obtain the longest life and best results from their air springs.

1. Check the air pressure weekly.
2. Always maintain normal ride height. Never inflate beyond 100 PSI.
3. If you develop an air leak in the system, use a soapy water solution (1/5 liquid dish soap and 4/5 water) to check all air line connections and the inflation valve core before deflating and removing the air spring.

CAUTION

FOR YOUR SAFETY AND TO PREVENT POSSIBLE DAMAGE TO YOUR VEHICLE, DO NOT EXCEED MAXIMUM GROSS VEHICLE WEIGHT RATING (GVWR), AS INDICATED BY THE VEHICLE MANUFACTURER. ALTHOUGH YOUR AIR SPRINGS ARE RATED AT A MAXIMUM INFLATION PRESSURE OF 100 P.S.I., THE AIR PRESSURE ACTUALLY NEEDED IS DEPENDANT ON YOUR LOAD AND GVWR.

4. Loaded vehicles require at least 25 PSI or more. A “loaded vehicle” refers to a vehicle with a heavy bed load, a trailer, or both. As discussed above, never exceed GVWR, regardless of air spring, air pressure, or other load assist. The springs in this kit will support approximately 40 lbs. of load (combined on both springs) for each 1 PSI of pressure. The required air pressure will vary depending on the state of the original suspension. Operating the vehicle below the minimum air spring pressure will void the Air Lift warranty.
5. When increasing load, always adjust the air pressure to maintain the normal ride height. Increase or decrease pressure from the system as necessary to attain normal ride height for optimal ride and handling. Remember that loads carried behind the axle (including tongue loads) require more leveling force (pressure) than those carried directly over the axle.
6. Always add air to springs in small quantities, checking the pressure frequently.
7. Should it become necessary to raise the vehicle by the frame, make sure the system is at minimum pressure (5 PSI) to reduce the tension on the suspension/brake components. Use of on board leveling systems do not require deflation or disconnection.
8. Periodically check the air spring system fasteners for tightness. Also, check the air springs for any signs of rubbing. Realign if necessary.
9. On occasion, give the air springs a hard spray with a garden hose in order to remove mud, sand, gravel or other abrasive debris.

TROUBLESHOOTING GUIDE

1. Leak test the air line connections, the threaded connection into the air spring, and all fittings in the control system.
2. Inspect the air lines to be sure none are pinched. Tie straps may be too tight. Loosen or replace the strap and replace leaking components.
3. Inspect the air line for holes and cracks. Replace as needed.
4. Look for a kink or fold in the air line. Reroute as needed.

FREQUENTLY ASKED QUESTIONS

Q. Will installing air springs increase the weight ratings of a vehicle?

No. Adding air springs will not change the weight ratings (GAWR, GCWR and/or GVWR) of a vehicle. Exceeding the GVWR is dangerous and voids the Air Lift warranty.

Q. Is it necessary to keep air in the air springs at all times and how much pressure will they need?

For LoadLifter 5000 Ultimate, the recommended minimum air pressure is 5 PSI, but it can safely be run at zero air pressure.

Q. Is it necessary to add a compressor system to the air springs?

No. Air pressure can be adjusted with any type of compressor as long as it can produce sufficient pressure to service the springs. Even a bicycle tire pump can be used, but it's a lot of work.

Q. How long should air springs last?

If the air springs are properly installed and maintained they can last indefinitely.

Q. Will raising the vehicle on a hoist for service work damage the air springs?

No. The vehicle can be lifted on a hoist for short-term service work such as tire rotation or oil changes. However, if the vehicle will be on the hoist for a prolonged period of time, support the axle with jack stands in order to take the tension off of the air springs.

TUNING THE AIR PRESSURE

Pressure determination comes down to three things — level vehicle, ride comfort, and stability.

1. Level vehicle

If the vehicle's headlights are shining into the trees or the vehicle is leaning to one side, then it is not level (fig. 2.1). Raise the air pressure to correct either of these problems and level the vehicle.

2. Ride comfort

If the vehicle has a rough or harsh ride it may be due to either too much pressure or not enough (fig. 2.2). Try different pressures to determine the best ride comfort.

3. Stability

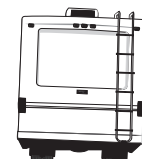
Stability translates into safety and should be the priority, meaning the driver may need to sacrifice a perfectly level and comfortable ride. Stability issues include roll control, bounce, dive during braking and sponginess (fig. 2.3). Tuning out these problems usually requires an increase in pressure.



Bad headlight aim *fig. 2.1*



Rough ride *fig. 2.2*



Sway and body roll *fig. 2.3*

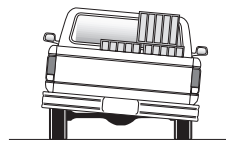
GUIDELINES FOR ADDING AIR

1. Start with the vehicle level or slightly above.
2. When in doubt, always add air.
3. If the front of the vehicle dives while braking, increase the pressure in the front air bags, if equipped.
4. If it is ever suspected that the air bags have bottomed out, increase the pressure (fig. 2.4).
5. Adjust the pressure up and down to find the best ride.
6. If the vehicle rocks and rolls, adjust the air pressure to reduce movement.
7. It may be necessary to maintain different pressures on each side of the vehicle. Loads such as water, fuel, and appliances will cause the vehicle to be heavier on one side (fig. 2.5). As much as a 50 PSI difference is not uncommon.

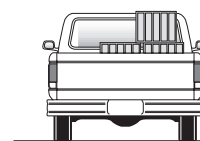


Bottoming out

fig. 2.4



Unlevel



Level

fig. 2.5

Choosing the Right On-Board Air Compressor System

60 DAY NO QUESTIONS ASKED, MONEY-BACK GUARANTEE

TWO YEAR COMPRESSOR SYSTEM WARRANTY

Add an on-board air compressor system to inflate and deflate your air springs with the touch of a button — from inside or outside of the vehicle.

- For convenient, on-the-go control of your air springs, add an Air Lift on-board air compressor system.
- Air Lift on-board air compressor systems eliminate the search for gas stations that have a working compressor, saving you time, energy and money.
- All systems include a compressor, controller and all parts needed for easy installation.

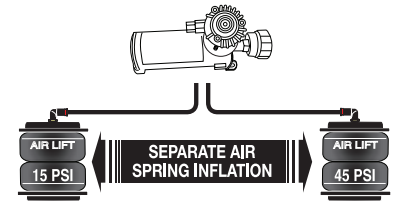
1. Choose single or dual path inflation (see illustrations at right)

2. Choose wireless or analog control

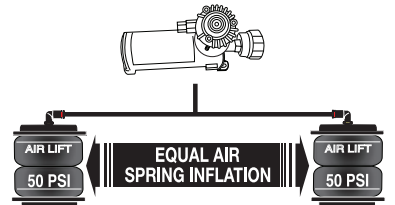
- **Wireless:** Control your air springs from inside or outside the vehicle. Easiest installation - no wires to the cab.
- **Analog:** In-cab control of your air springs. Economically priced.

3. Choose heavy or standard duty compressor

- **Standard duty:** A standard duty compressor will work well for most customers who use their system on an intermittent basis.
- **Heavy duty:** For daily use, consider the heavy duty compressor - it inflates faster and more quietly than the standard compressor.



Dual path systems Air springs are controlled separately to allow for different air pressure from side-to-side. Perfect for uneven or top-heavy loads.



Single path systems Two springs will inflate at the same time. Good for loads that are evenly distributed from left-to-right or front-to-back.

W I R E L E S S

A N A L O G

DUAL PATH

WirelessAIR™

OUR PREMIUM SYSTEM!

- Easy installation
- Includes heavy duty compressor



P/N 72000

LoadCONTROLLER™

Dual

Compact, economically priced control.



P/N Standard Duty Compressor 25850; P/N Heavy Duty Compressor 25854

SINGLE PATH

WirelessONE™

- Easy installation
- Includes standard duty compressor



P/N 25870

LoadCONTROLLER™

Single

Compact, economically priced control.



P/N Standard Duty Compressor 25852; P/N Heavy Duty Compressor 25856