



CID DESIGN

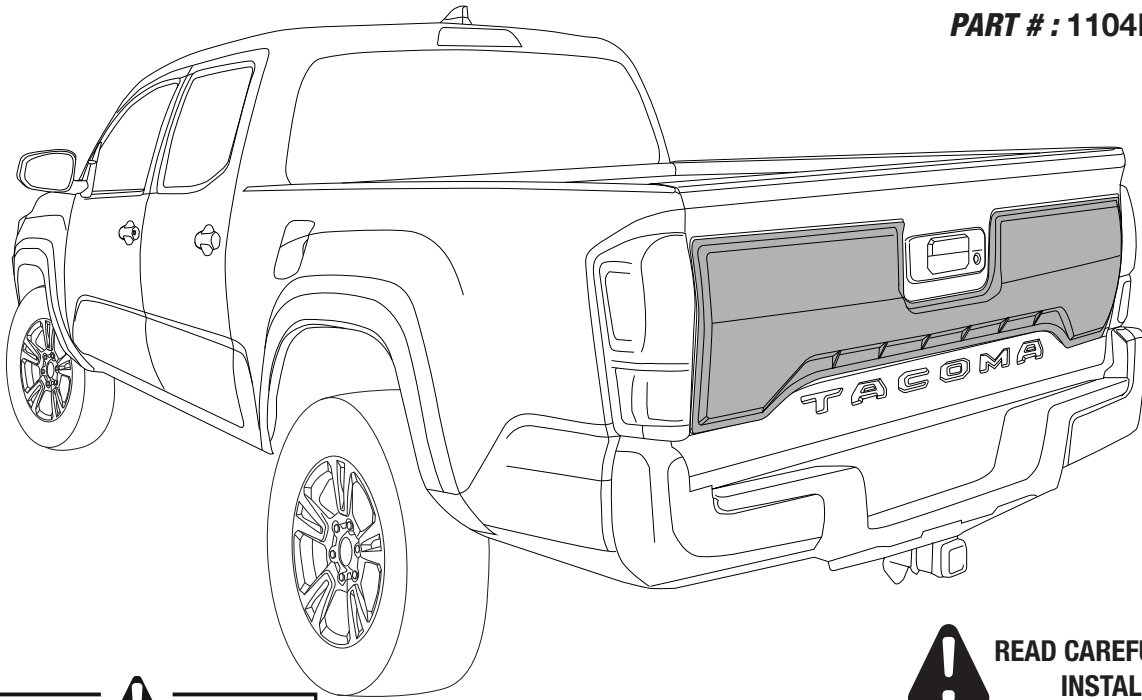
SUPER RIM
TRUCK ACCESSORIES POWERED BY AIRBORNE USA

TOYOTA - TACOMA 2016

INSTALLATION MANUAL



TAILGATE APPLIQUE TACOMA 2016

PART #: 1104DNTUTO02A20



**READ CAREFULLY BEFORE
INSTALLATION**



DO NOT WASH CAR  **DRIVE SLOWLY 25 mph max** 

24 hrs





TOOLS






CHECK LIST

*Already installed in the part

ITEM	DESCRIPTION	DRAWING	AMOUNT
A	* VHB TAPE		Included in the parts
B	GREASE PENCIL		1 pc
C	ADHESION PROMOTER		1 pc
D	ECO DOME		1 pc



CID DESIGN

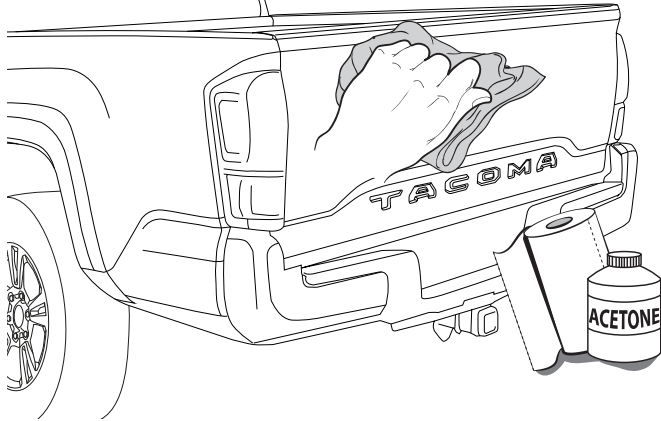
SUPER RIM
TRUCK ACCESSORIES POWERED BY INNOVATION USA

TOYOTA - TACOMA 2016

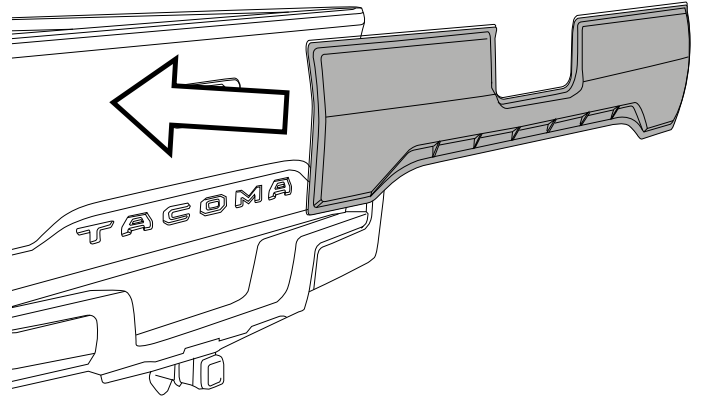
INSTALLATION MANUAL

1 CLEAN

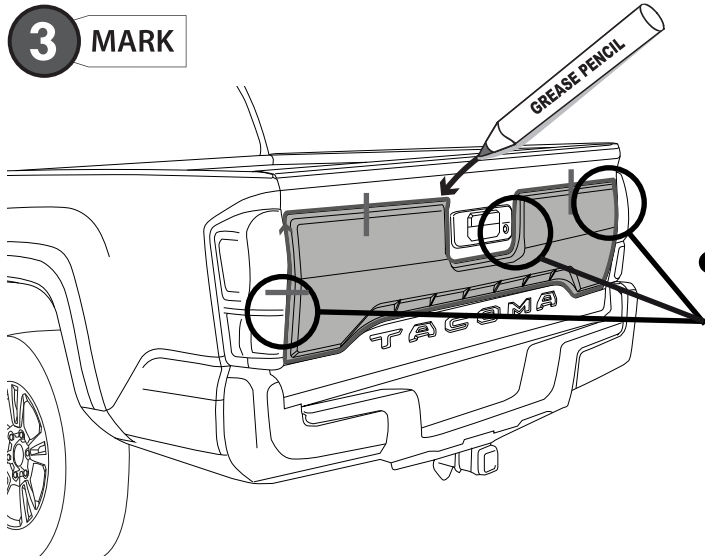
! WASH WITH WATER, DETERGENT AND SOFT CLOTH OR SPONGE



2 PRE-MOUNT



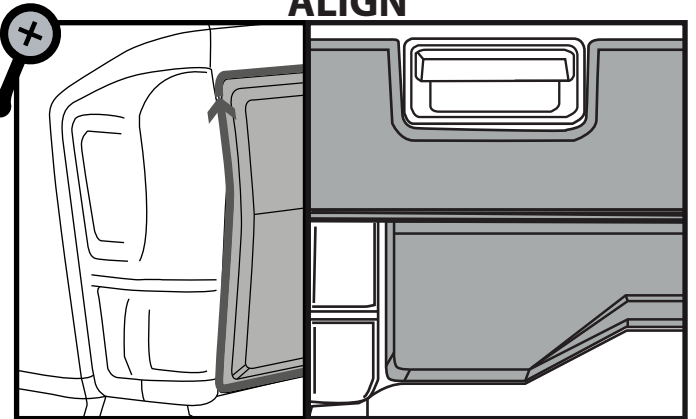
3 MARK



! HASH MARKS

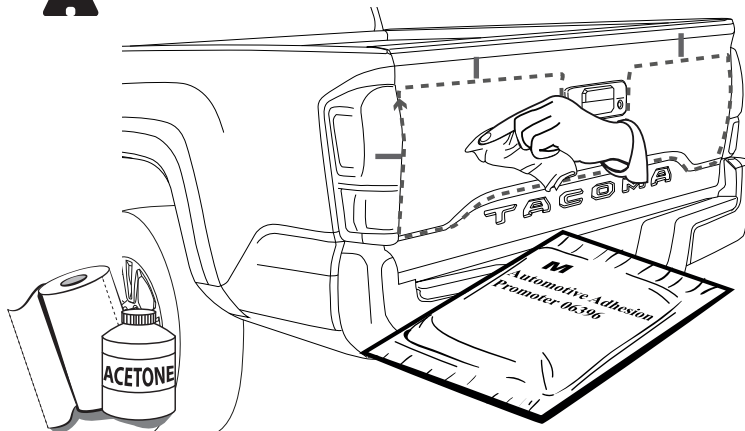
DRAW CENTER HASH MARK WITH GREASE PENCIL ON APPLIQUE AND SHEET METAL, THIS WILL ENSURE APPLIQUE WILL BE CENTERED TO GREASE PENCIL OUTLINE.

ALIGN



4 ADHESION PROMOTER

! FIRST CLEAN ALL OVER THE APPLICATION AREA WITH ACETONE



! A full surface contact between tape and substrate is decisive for good adhesion performance. Contact is achieved by applying pressure. In practice a pressure between 40 and 50 N/cm² is usually needed and an application temperature between 25 and 45 °C or 77 and 113 °F is also necessary. During application, add-on parts and tapes must have the similar temperature.



CID DESIGN

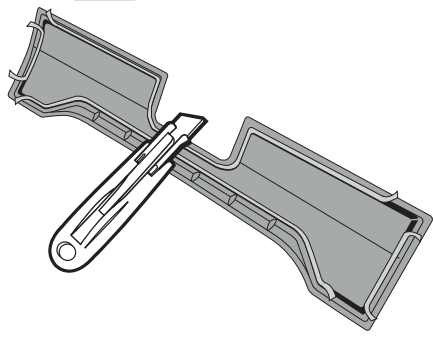
SUPER RIM
TRUCK ACCESSORIES POWERED BY AMERICAN USA

TOYOTA - TACOMA 2016

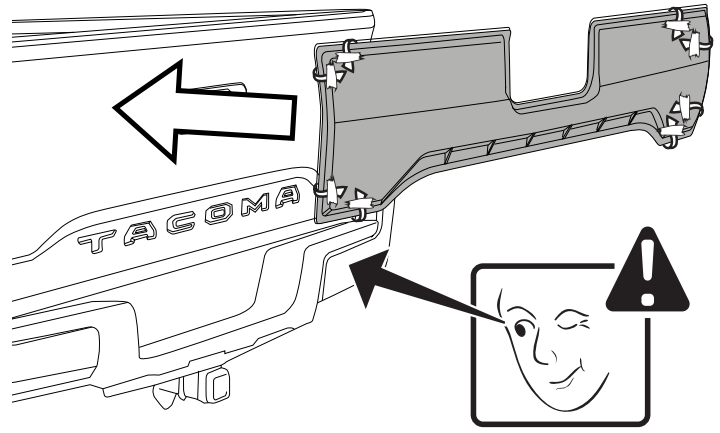
INSTALLATION MANUAL

5 PEEL

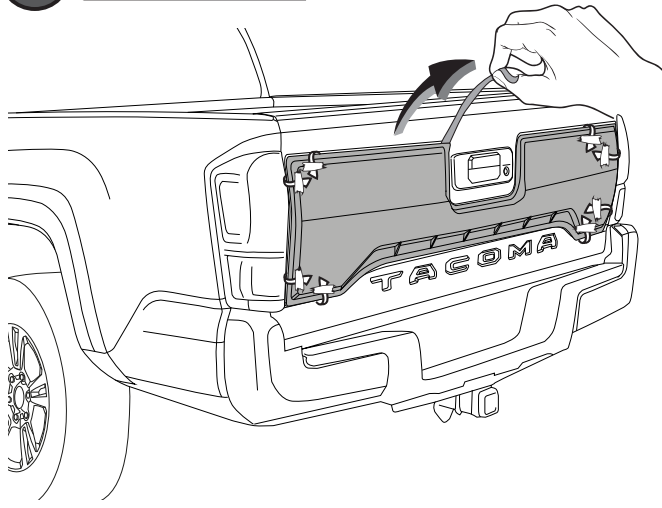
! WARM SURFACES WITH HEAT GUN IF SURFACE TEMPERATURE IS TOO COLD.



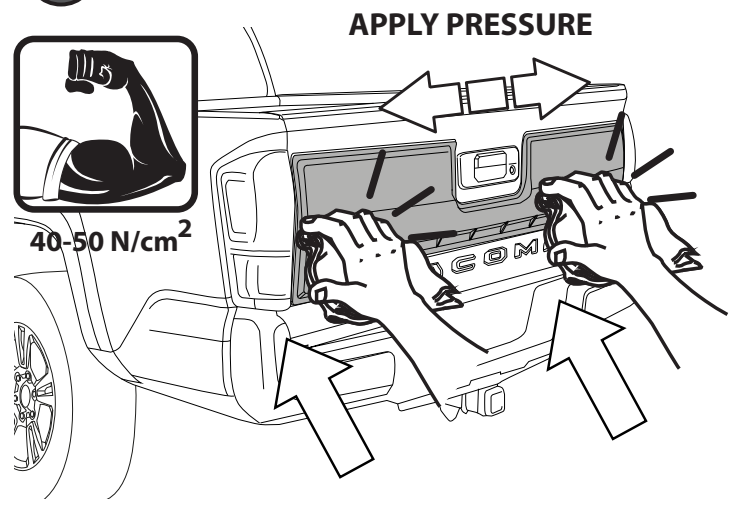
6 PLACE



7 REMOVE LINER

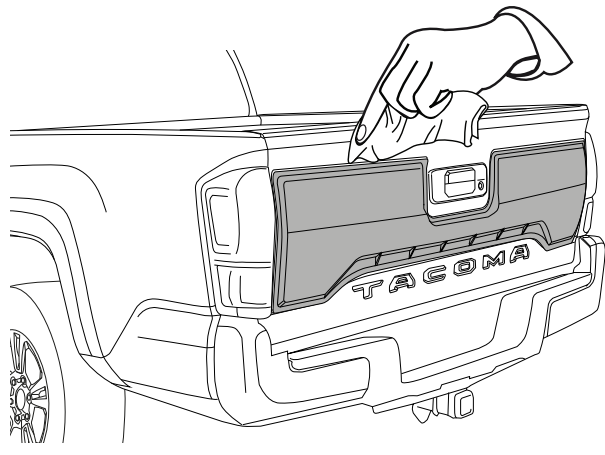


8 PRESS



APPLY PRESSURE

9 CLEAN OFF GREASE PENCIL MARK



INSTALLED PART

