



CID DESIGN

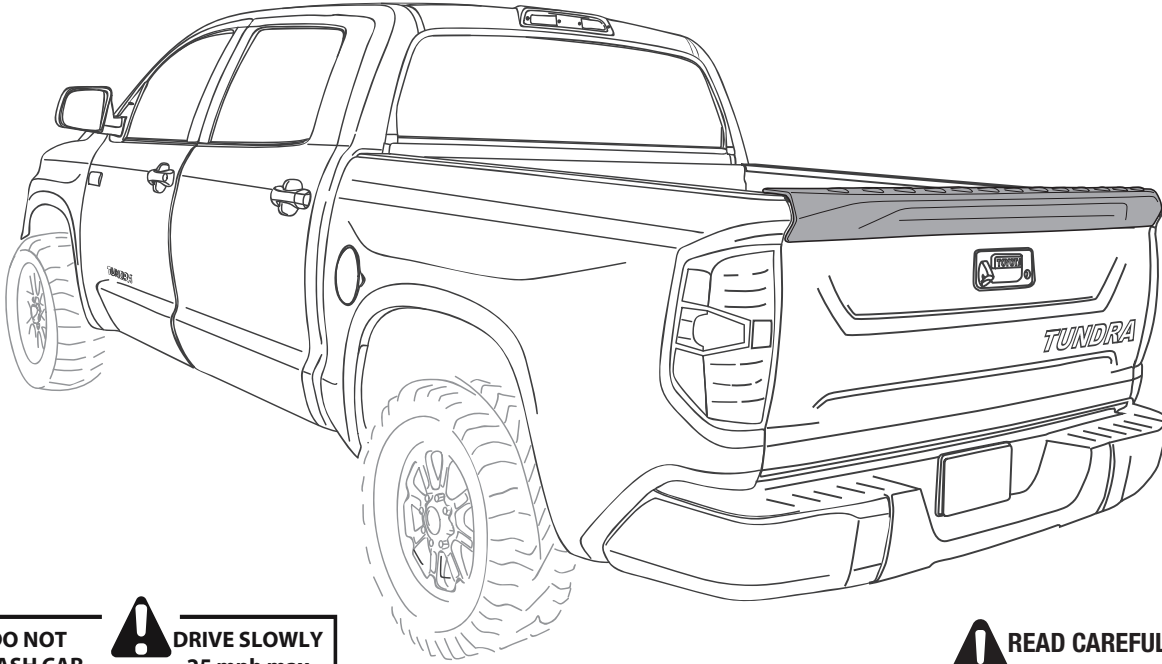
SUPER RIM
TRUCK ACCESSORIES POWERED BY KIMBERLY USA

TOYOTA - TUNDRA 2015

INSTALLATION MANUAL

TAILGATE SPOILER TUNDRA 2015

PART # : 1102DNTUT001A15



**DO NOT
WASH CAR**



**DRIVE SLOWLY
25 mph max**



24 hrs



**READ CAREFULLY BEFORE
INSTALLATION**

We recommend 2 persons for installation






TOOLS



CHECK LIST

*Already installed in the part

ITEM	DESCRIPTION	DRAWING	AMOUNT
A	*VHB TAPE		INCLUDED IN ALL PARTS
B	GREASE PENCIL		1 PC
C	ADHESION PROMOTER		1 PC



CID DESIGN

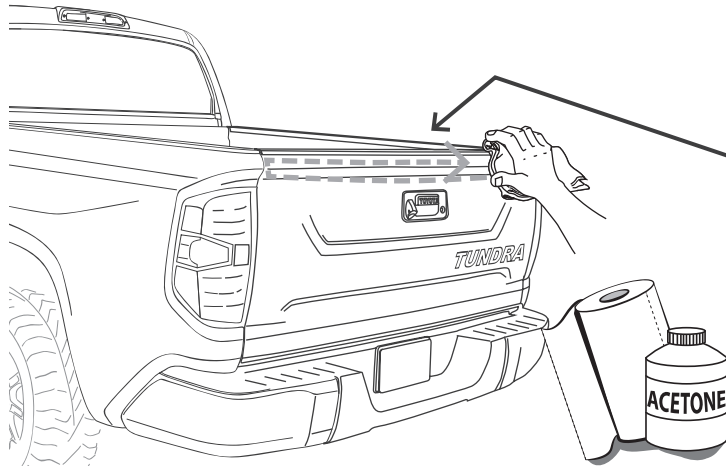
SUPER RIM
TRUCK ACCESSORIES POWERED BY HINSON USA

TOYOTA - TUNDRA 2015

INSTALLATION MANUAL

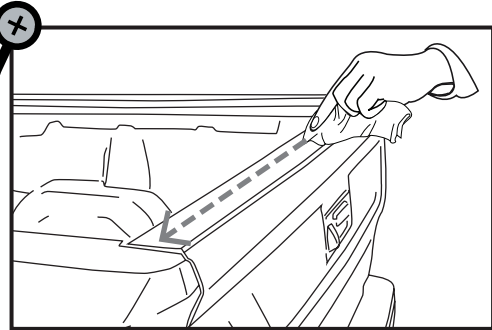
1 CLEAN

WASH WITH WATER, DETERGENT AND SOFT CLOTH OR SPONGE

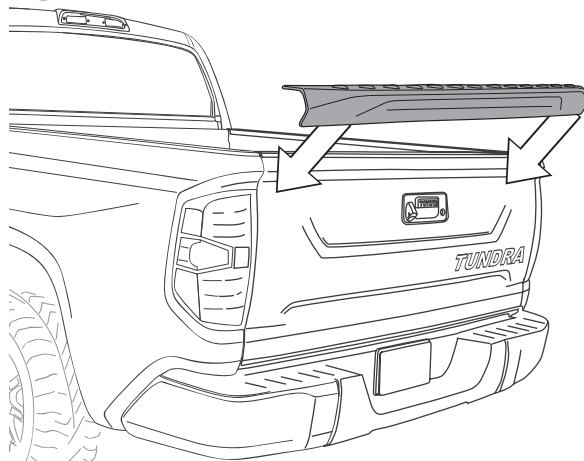


IMPORTANT

ENSURE THE SURFACES ARE COMPLETELY CLEAN BEFORE INSTALLING

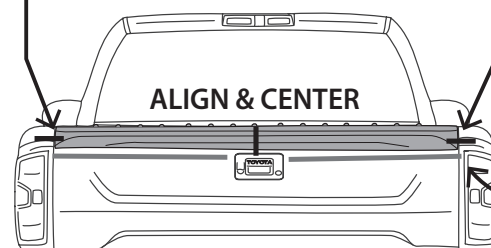
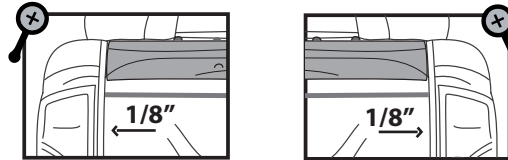


2 PRE-MOUNT



3 MARK

LEAVE APPROXIMATELY 1/8" FROM THE EDGE, ON BOTH SIDES



ALIGN & CENTER

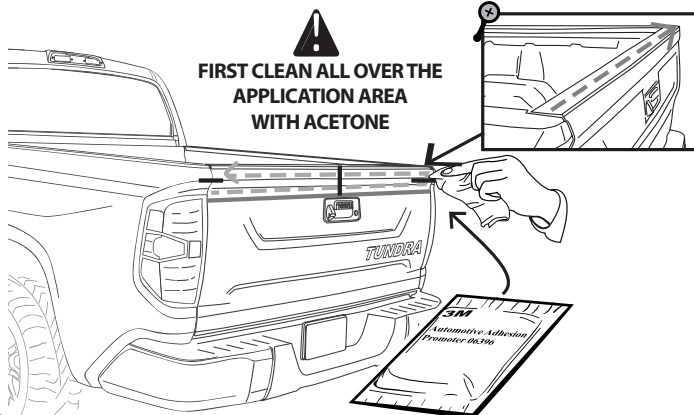
GREASE PENCIL

4

ADHESION PROMOTER

HASH MARKS

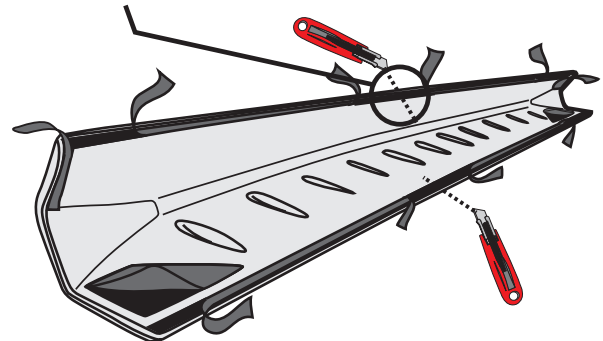
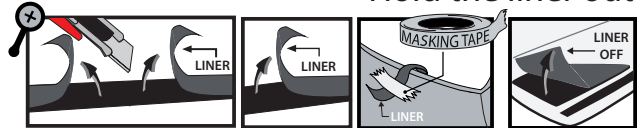
DRAW CENTER HASH MARK WITH GREASE PENCIL ON SPOILER AND SHEET METAL, THIS WILL ENSURE SPOILER WILL BE CENTERED TO GREASE PENCIL OUTLINE.



FIRST CLEAN ALL OVER THE APPLICATION AREA WITH ACETONE

5 PEEL

PEEL OFF
Hold the liner out



WARM SURFACES WITH HEAT GUN IF SURFACE TEMPERATURE IS TOO COLD.



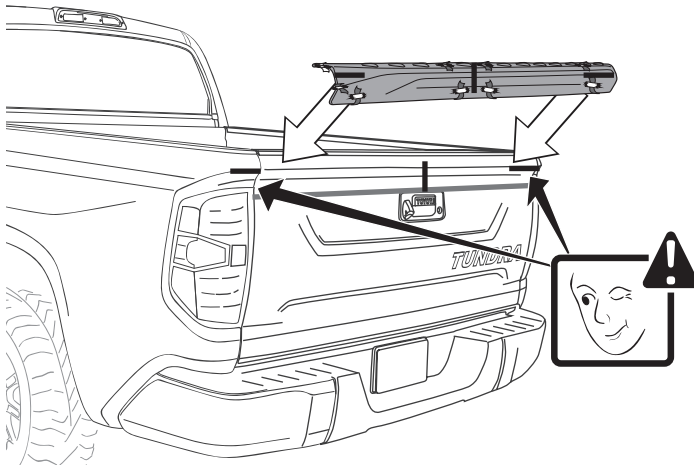
CID DESIGN

SUPER RIM
TRUCK ACCESSORIES POWERED BY KIMBERLY USA

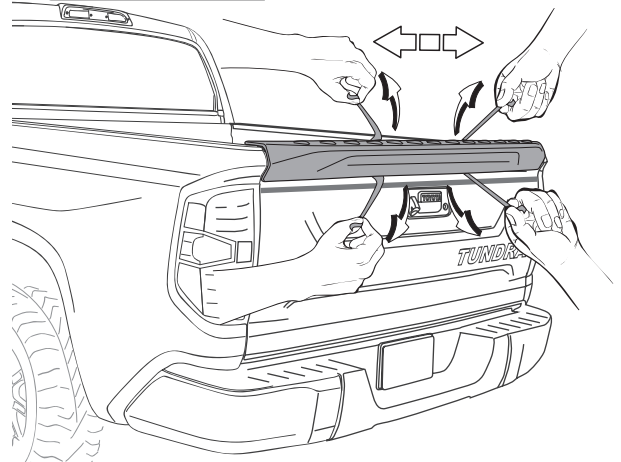
TOYOTA - TUNDRA 2015

INSTALLATION MANUAL

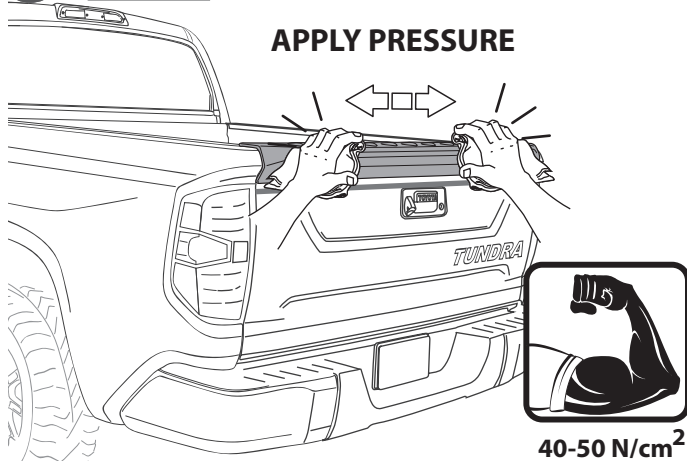
6 PLACE



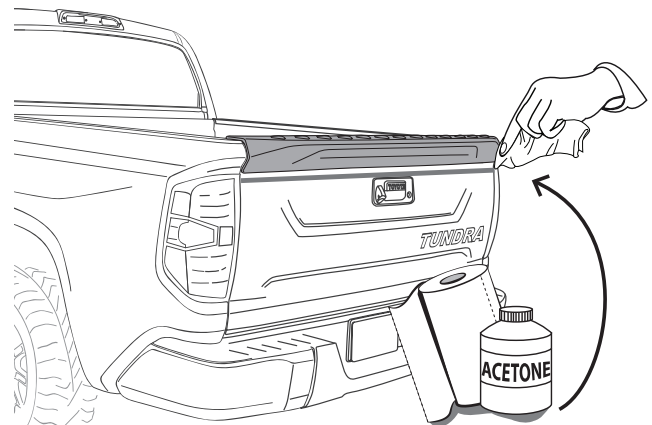
7 REMOVE LINER



8 PRESS



9 CLEAN OFF GREASE PENCIL MARK



10 INSTALLED PART

