



CID DESIGN

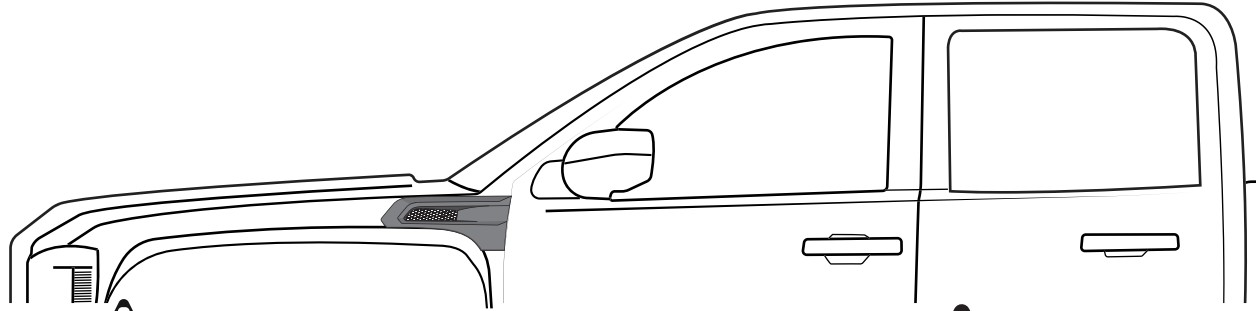
**SUPER RIM**  
TRUCK ACCESSORIES POWERED BY AIRDESIGN USA

# GM - SIERRA 2016

## INSTALLATION MANUAL

### SPORT FENDER VENTS SET SIERRA 2016

PART #: 1128NZZJGM28A13



**DO NOT WASH CAR**

**DRIVE SLOWLY**  
25 mph max

**24 hrs**

**READ CAREFULLY BEFORE INSTALLATION**

**WE RECOMMEND 2 PERSONS FOR INSTALLATION**

### TOOLS

## CHECK LIST

\*Already installed in the part

ITEM	DESCRIPTION	DRAWING	AMOUNT
A	*VHB TAPE		Included in all parts
B	GREASE PENCIL		1 pc
C	AUTOMOTIVE ADHESION PROMOTER		1 pc
D	TEMPLATE		Included
E	*GRILL		2 pcs
F	TIN SCREW 5/32" X 3/8"		8 pcs
G	* WASHER 5/32		8 pcs
H	ECO DOME		1 pc



CID DESIGN

**SUPER RIM**  
TRUCK ACCESSORIES POWERED BY HANSON USA

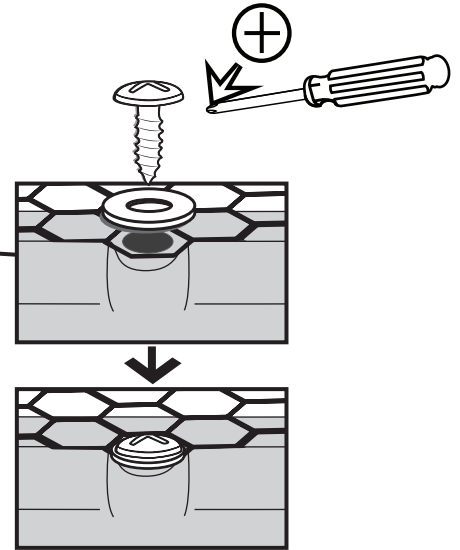
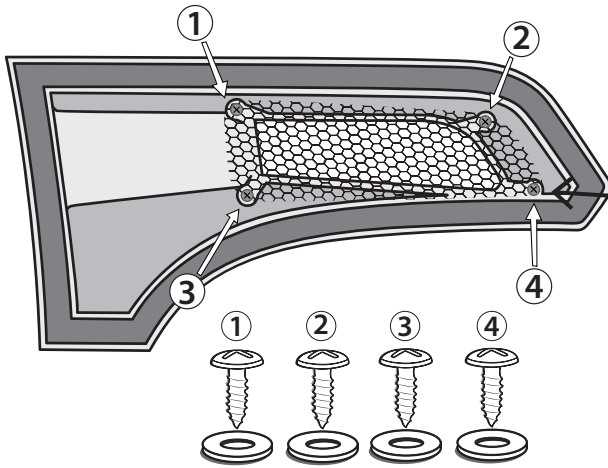
# GM - SIERRA 2016

## INSTALLATION MANUAL

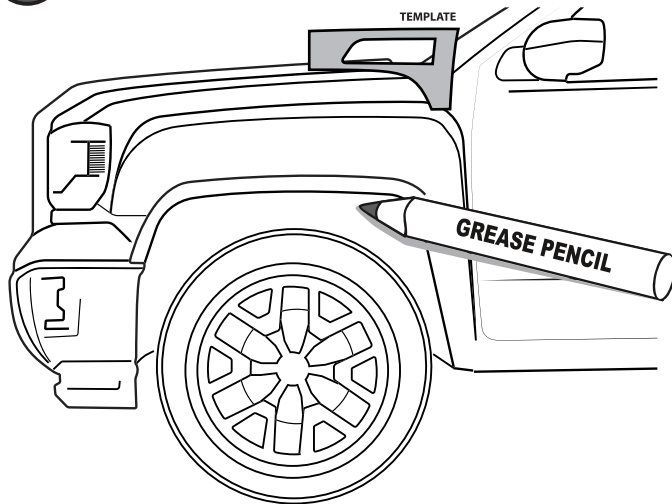
### 1 MOUNT GRILL



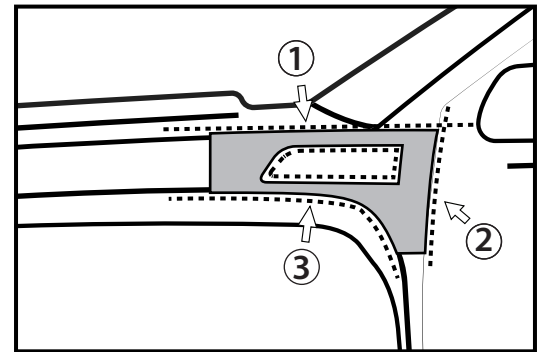
WASH WITH WATER, DETERGENT AND  
SOFT CLOTH OR SPONGE



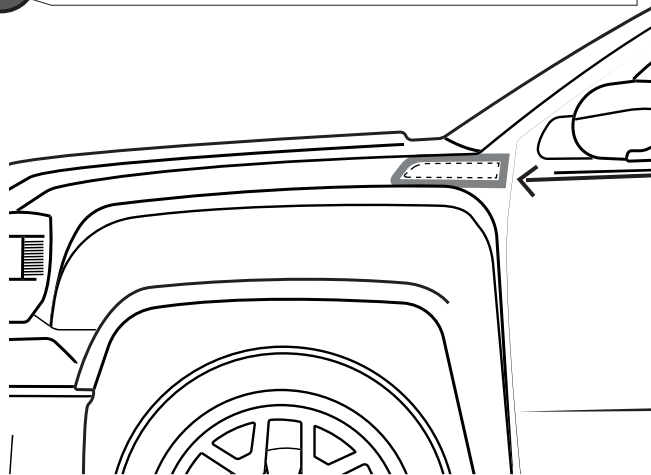
### 2 PLACE TEMPLATE



ALIGN



### 3 OUTLINE CONTOUR WITH MASKING TAPE





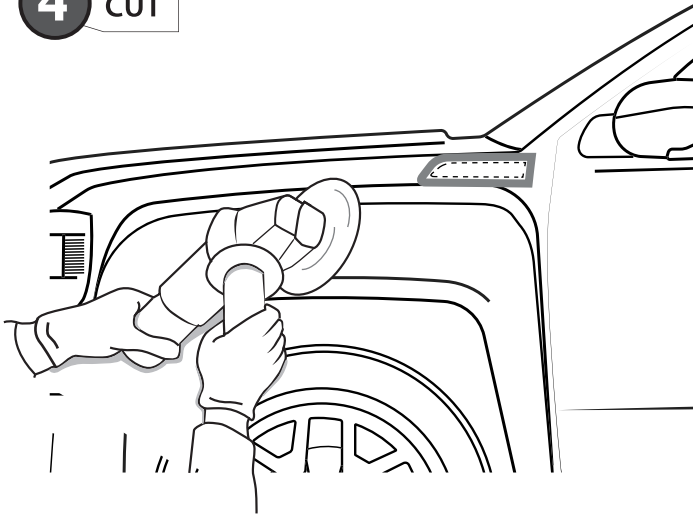
CID DESIGN

**SUPER RIM**  
TRUCK ACCESSORIES POWERED BY AIRBORNE USA

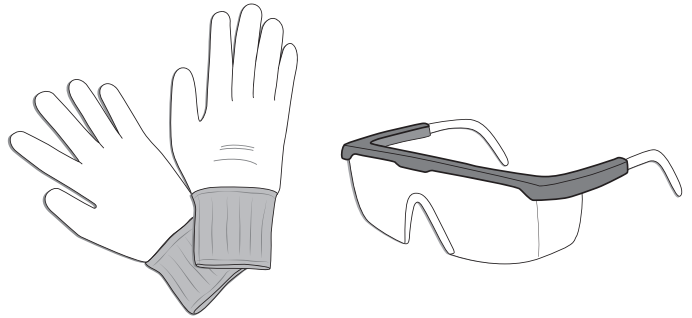
# GM - SIERRA 2016

## INSTALLATION MANUAL

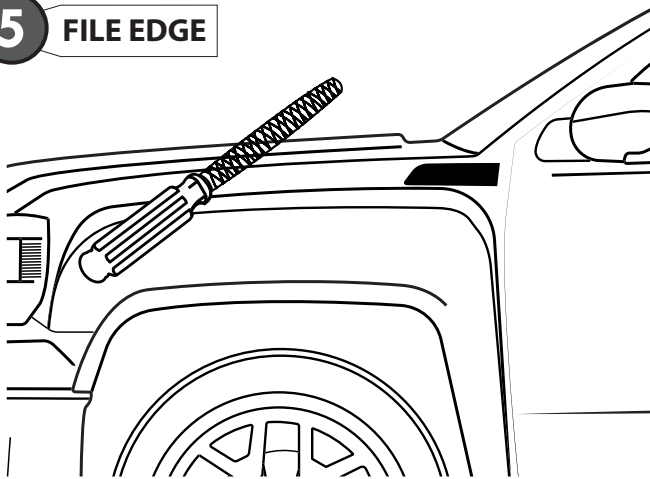
### 4 CUT



**CAUTION**  
PERSONAL  
PROTECTIVE EQUIPMENT  
REQUIRED



### 5 FILE EDGE

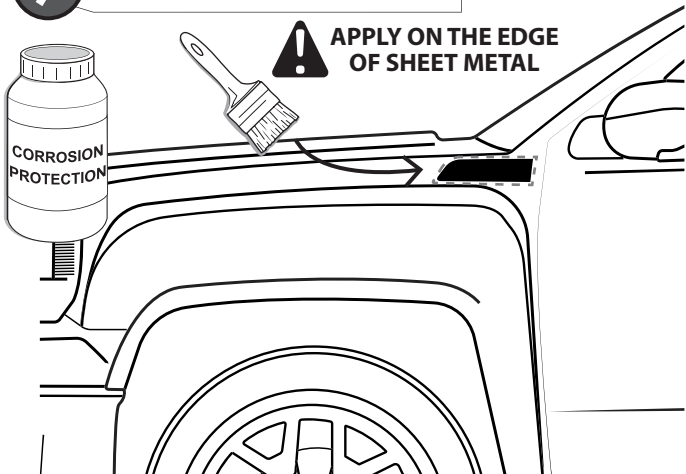


### 6 CLEAN

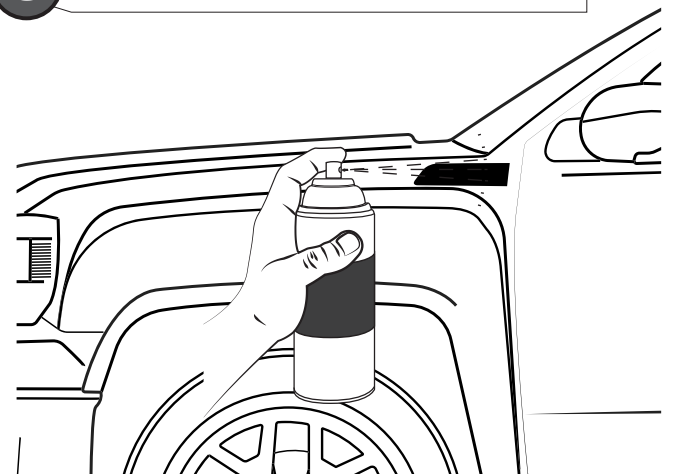


MAKE SURE FENDER VENT DON'T BIND WHEN CHECK FITTER, IF NECESSARY USE A FILE TO SMOOTH CORNERS AND EDGES UNTIL YOU HAVE CLEARANCE ALL AROUND.

### 7 CORROSION PROTECTION



### 8 PAINT INTERIOR WITH BLACK PAINT





CID DESIGN

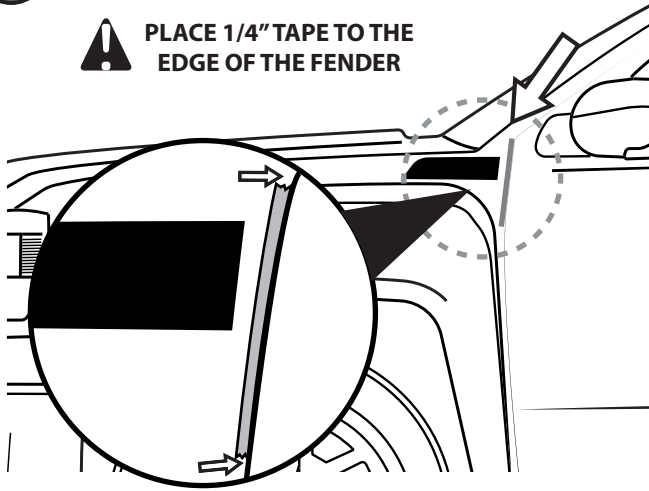
**SUPER RIM**  
TRUCK ACCESSORIES POWERED BY HANSON USA

# GM - SIERRA 2016

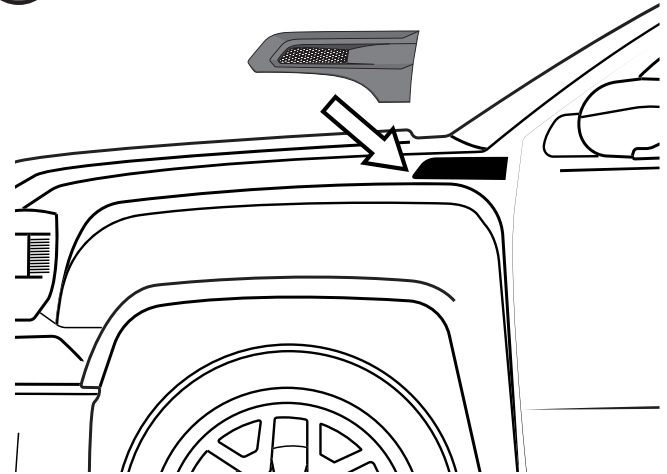
## INSTALLATION MANUAL

### 9 ALIGN

**!** PLACE 1/4" TAPE TO THE EDGE OF THE FENDER



### 10 PRE-MOUNT



### 11 MARK

**!** HASH MARKS

DRAW CENTER HASH MARK WITH GREASE PENCIL ON FENDER VENT AND SHEET METAL, THIS WILL ENSURE FENDER VENT WILL BE CENTERED TO GREASE PENCIL OUTLINE



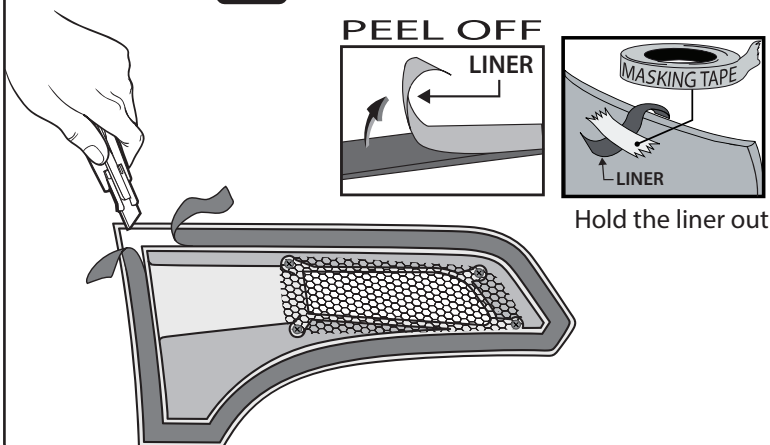
### 12 ADHESION PROMOTER

**!** FIRST CLEAN ALL OVER THE APPLICATION AREA WITH ACETONE



### 13 PEEL

**!** WARM SURFACES WITH HEAT GUN IF SURFACE TEMPERATURE IS TOO COLD.



**!** A full surface contact between tape and substrate is important for good adhesion performance. Contact is achieved by applying pressure. In practice a pressure between 40 and 50 N/cm<sup>2</sup> is usually needed and an application temperature at or above 16 °C or 60 °F is also necessary. During application, add-on parts and tapes must have the similar temperature.



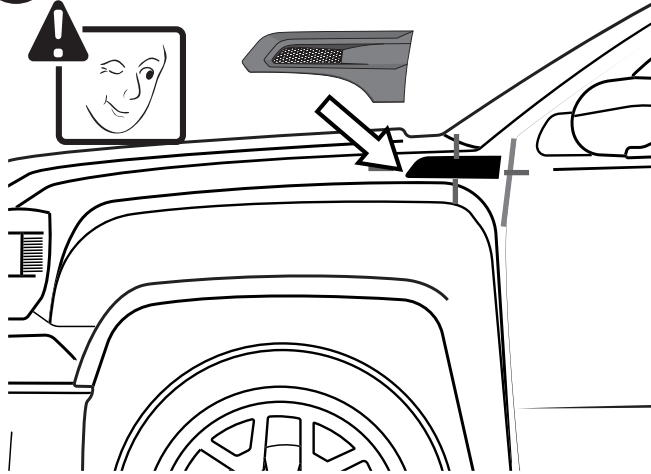
CID DESIGN

**SUPER RIM**  
TRUCK ACCESSORIES POWERED BY AIRBORN USA

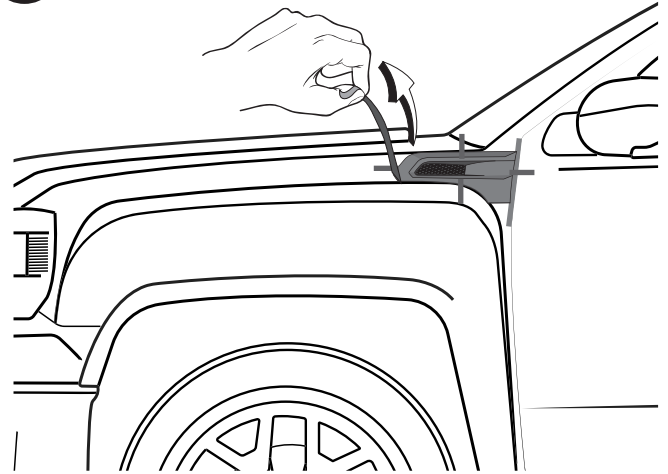
# GM - SIERRA 2016

## INSTALLATION MANUAL

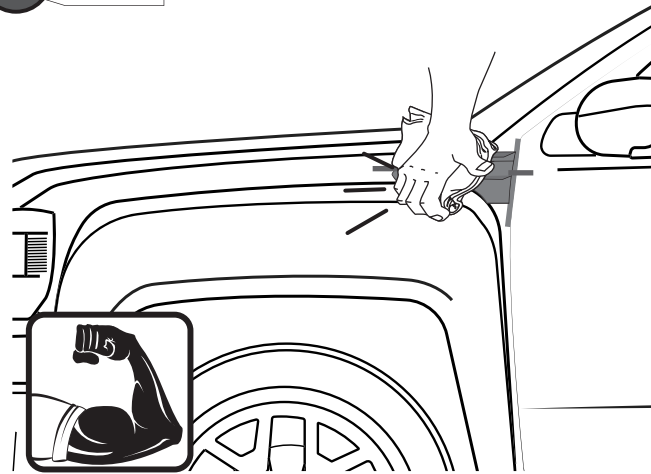
**14** PLACE



**15** REMOVE LINER

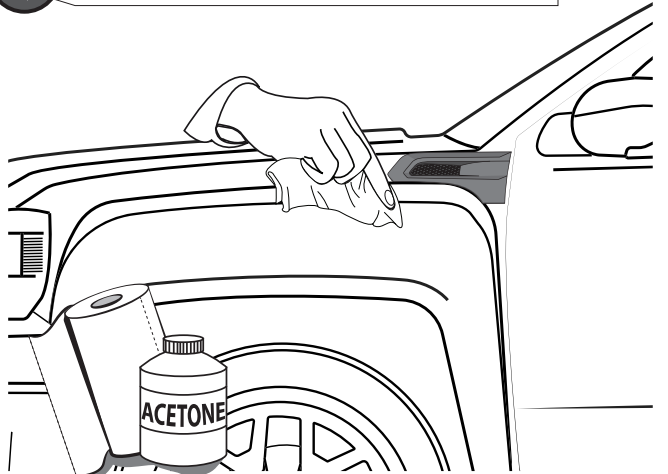


**16** PRESS

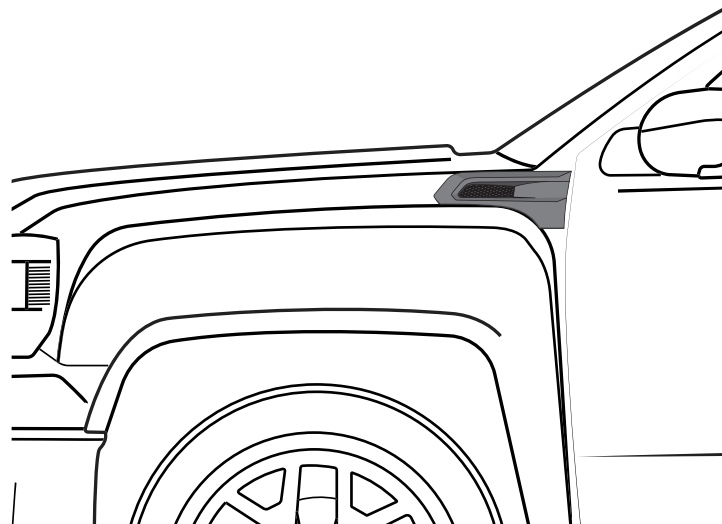


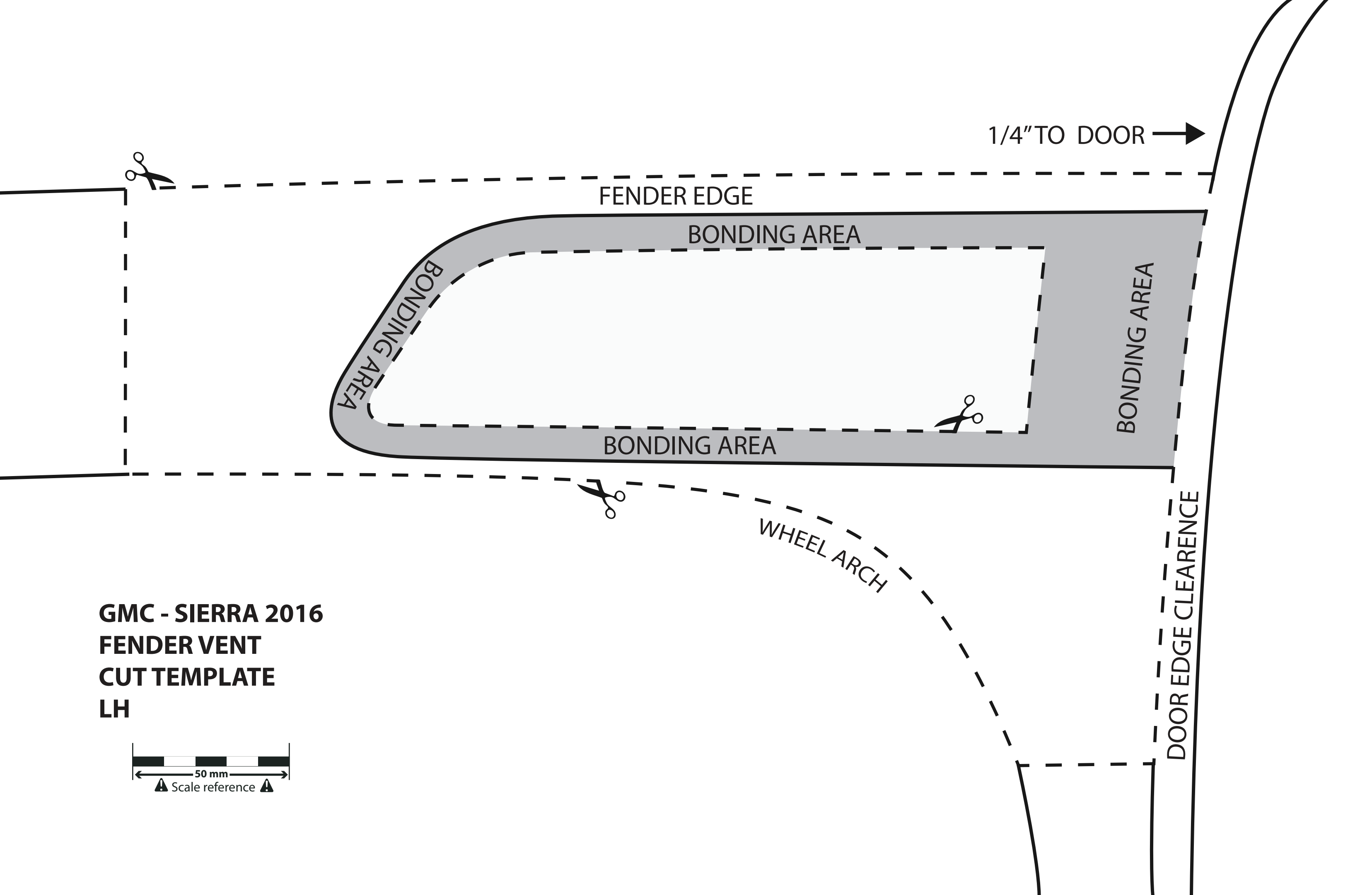
40-50 N/cm<sup>2</sup>

**17** CLEAN OFF GREASE PENCIL MARK



### INSTALLED PARTS

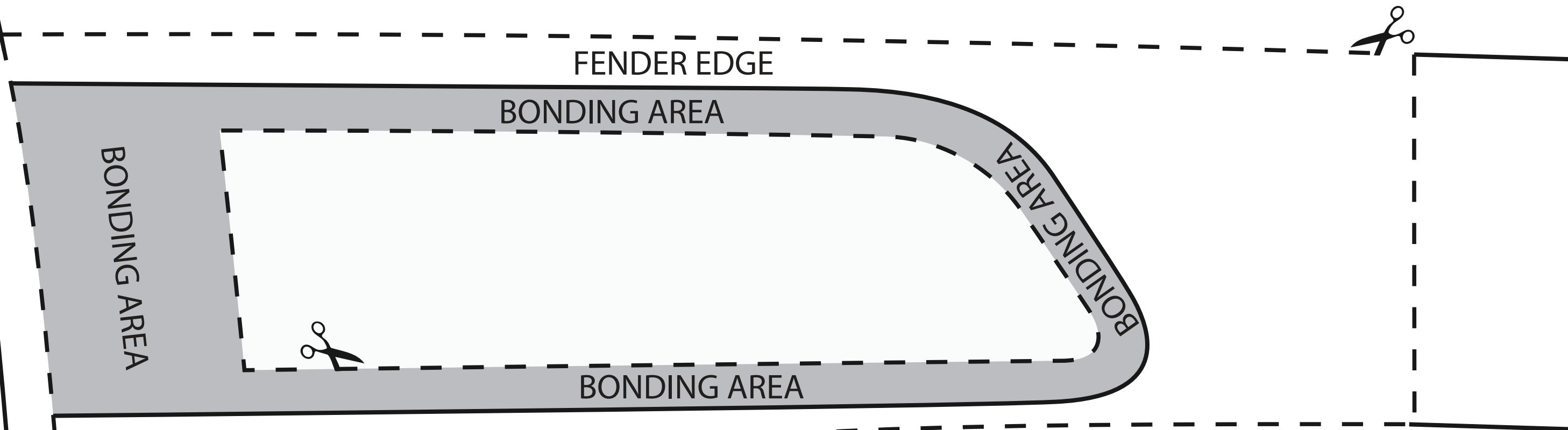




**GMC - SIERRA 2016  
FENDER VENT  
CUT TEMPLATE  
LH**



← 1/4" TO DOOR



DOOR EDGE CLEARANCE

WHEEL ARCH

**GMC - SIERRA 2016  
FENDER VENT  
CUT TEMPLATE  
RH**

