



CID DESIGN

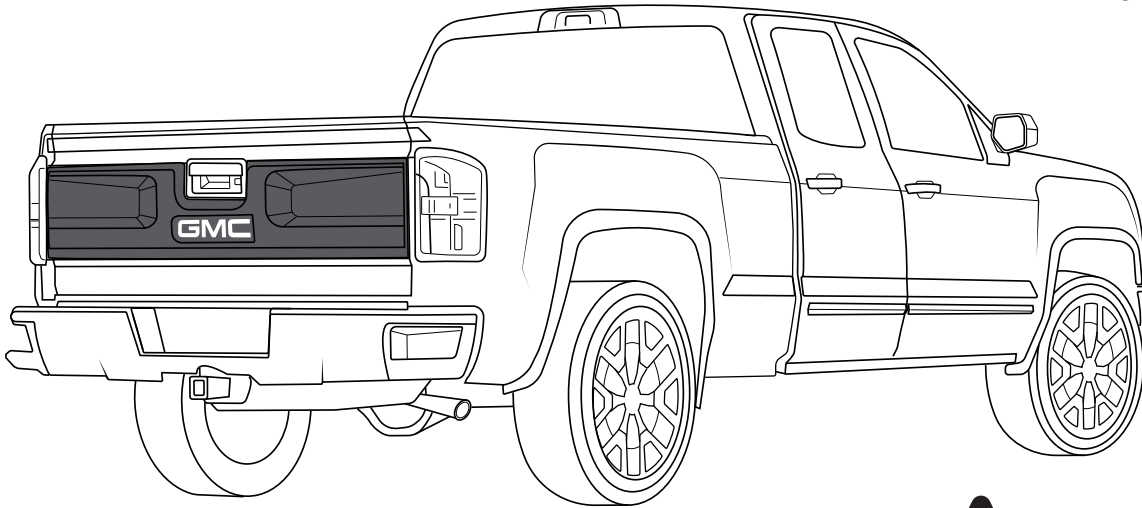
SUPER RIM
TRUCK ACCESSORIES POWERED BY AIRDESIGN USA

GMC - SIERRA 2016

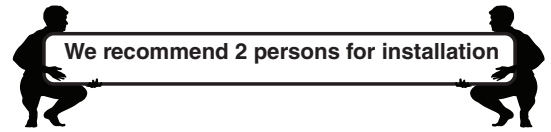
INSTALLATION MANUAL

TAILGATE APPLIQUE SIERRA 2016

PART # : 1104DNTUGM28A10



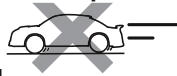
**READ CAREFULLY BEFORE
INSTALLATION**



**DO NOT
WASH CAR**



**DRIVE SLOWLY
25 mph max**



24 hrs

TOOLS



CHECK LIST

*Already installed in the part

ITEM	DESCRIPTION	DRAWING	AMOUNT
A	* VHB TAPE		Included in the parts
B	GREASE PENCIL		1 pc
C	ADHESION PROMOTER		1 pc
D	VHB DIE CUT		1 pc
E	ECO DOME		1 pc



CID DESIGN

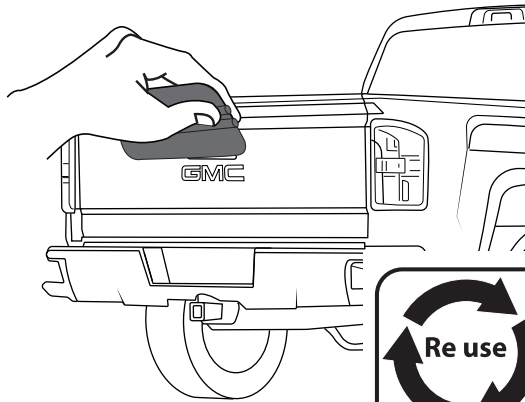
SUPER RIM
TRUCK ACCESSORIES POWERED BY HANSON USA

GMC - SIERRA 2016

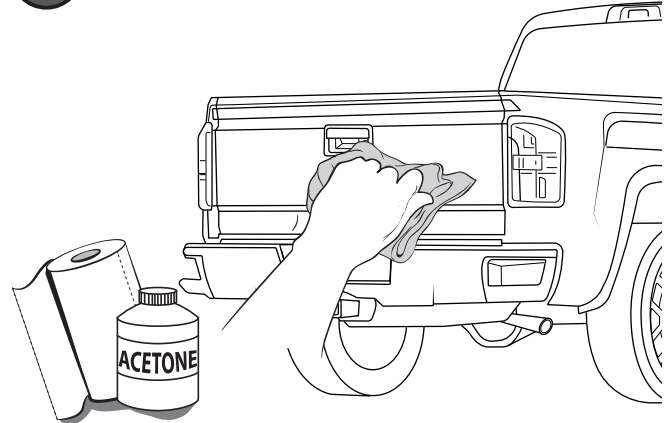
INSTALLATION MANUAL

! WASH WITH WATER, DETERGENT AND SOFT CLOTH OR SPONGE

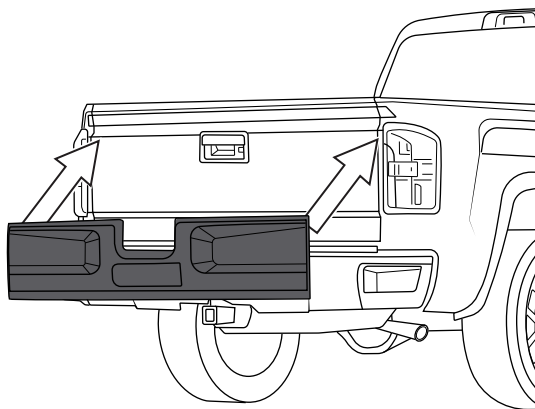
1 REMOVE



2 CLEAN

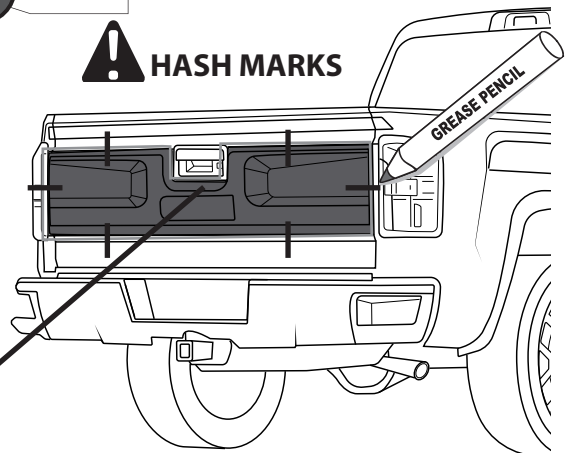


3 PRE-MOUNT



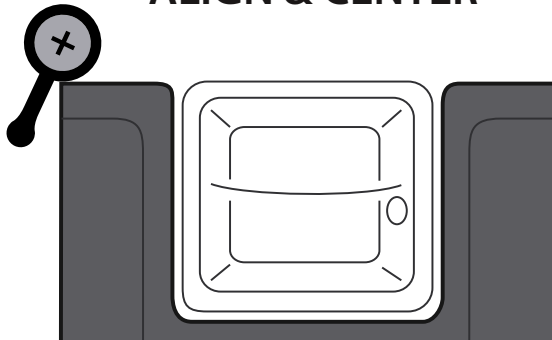
4 MARK

! HASH MARKS

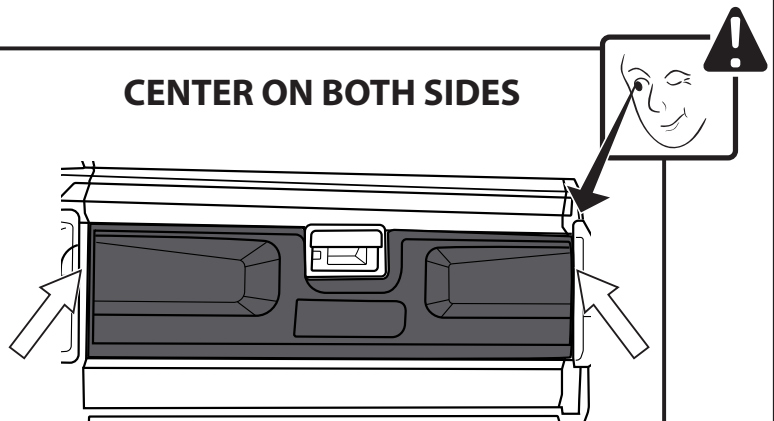


DRAW CENTER HASH MARK WITH GREASE PENCIL ON APPLIQUE AND SHEET METAL, THIS WILL ENSURE APPLIQUE WILL BE CENTERED TO GREASE PENCIL OUTLINE.

ALIGN & CENTER



CENTER ON BOTH SIDES





CID DESIGN

SUPER RIM
TRUCK ACCESSORIES POWERED BY ADHESION USA

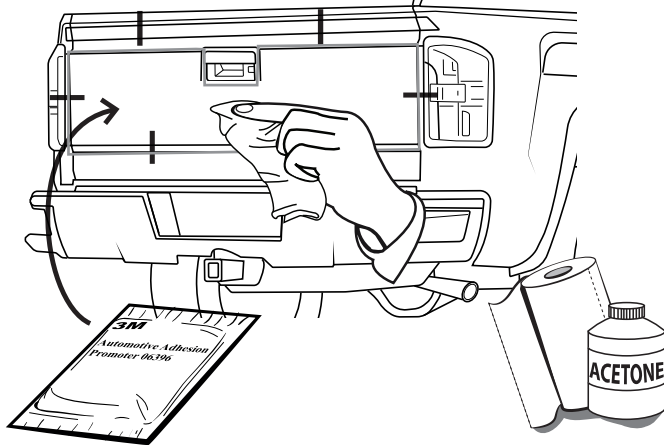
GMC - SIERRA 2016

INSTALLATION MANUAL

5 ADHESION PROMOTER



FIRST CLEAN ALL OVER THE APPLICATION AREA WITH ACETONE

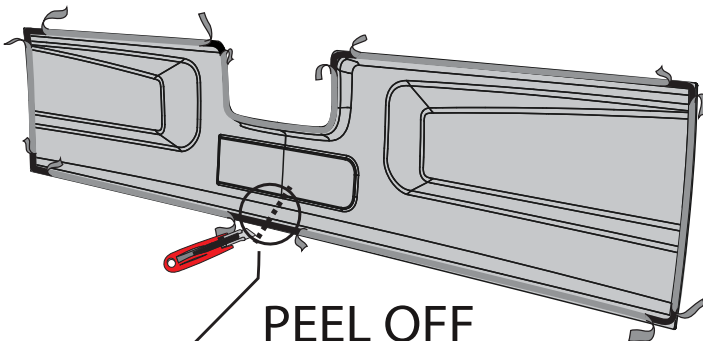


A full surface contact between tape and substrate is decisive for good adhesion performance. Contact is achieved by applying pressure. In practice a pressure between 40 and 50 N/cm² is usually needed and an application temperature between 25 and 45 °C or 77 and 113 °F is also necessary. During application, add-on parts and tapes must have the similar temperature.

6 PEEL

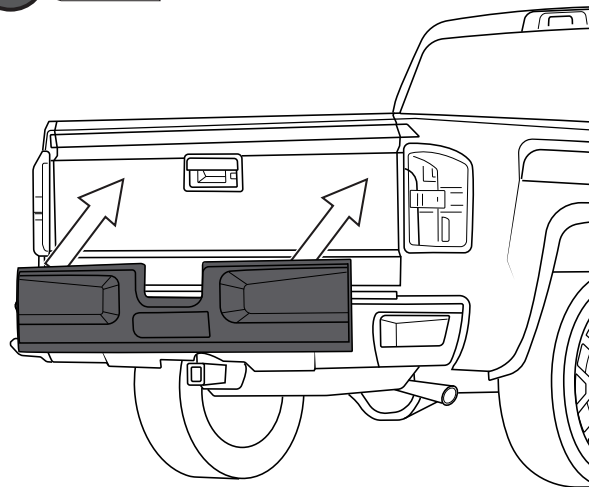
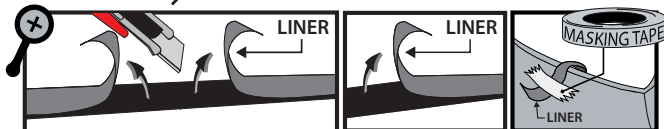


WARM SURFACES WITH HEAT GUN IF SURFACE TEMPERATURE IS TOO COLD.

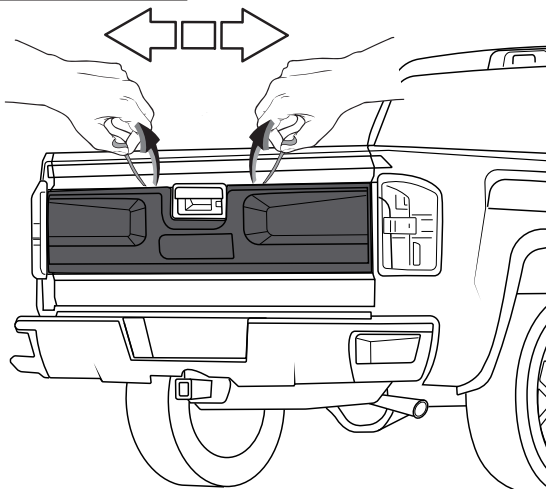


PEEL OFF
Hold the liner out

7 PLACE

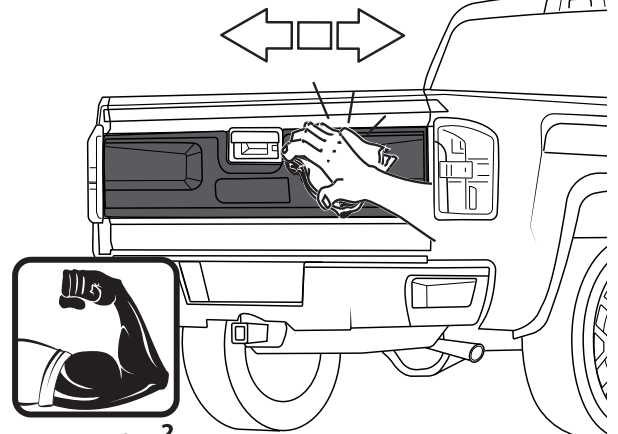


8 REMOVE LINER



9 PRESS

APPLY PRESSURE



40-50 N/cm²



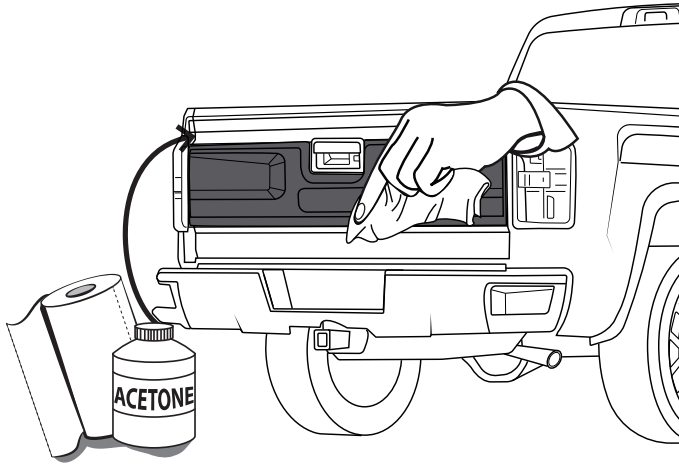
CID DESIGN

SUPER RIM
TRUCK ACCESSORIES POWERED BY HUNTERDON USA

GMC - SIERRA 2016

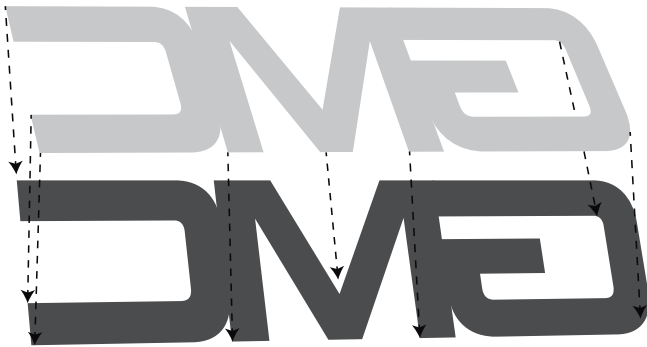
INSTALLATION MANUAL

10 CLEAN OFF GREASE PENCIL MARK



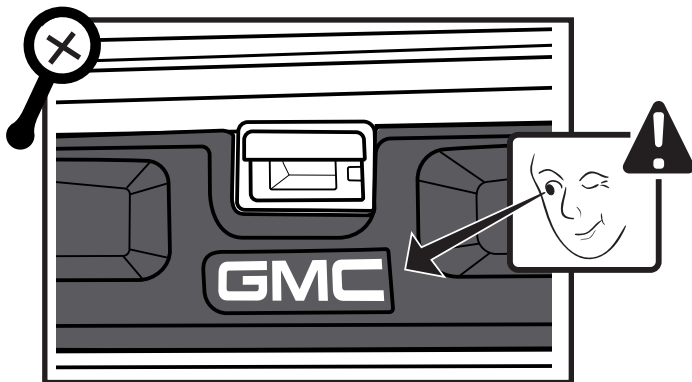
12 PLACE

PLACE VHB DIE CUT TO THE ORIGINAL EMBLEM



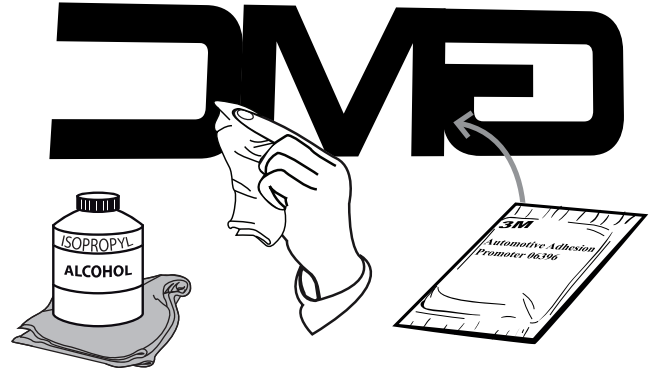
14 PLACE

CENTER AND ALIGN



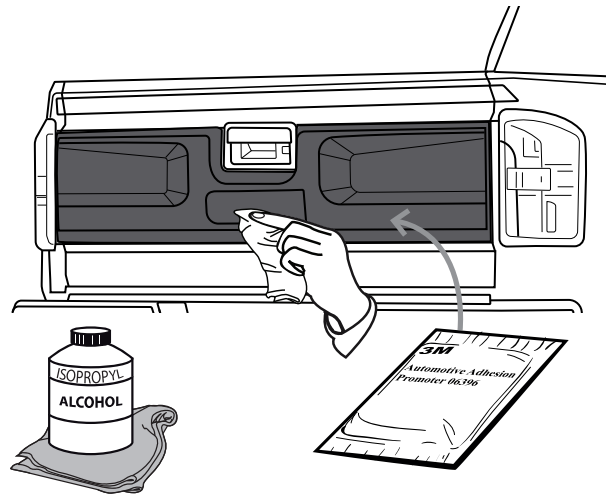
11 CLEAN

1. FIRST CLEAN THE BACKSIDE OF THE EMBLEM THOROUGHLY WITH ALCOHOL, WIPE IT OFF WELL WITH A CLEAN CLOTH.
2. THEN APPLY ADHESION PROMOTER ALL OVER THE AREA.



13 ADHESION PROMOTER

1. FIRST CLEAN ALL OVER THE APPLICATION AREA WITH ALCOHOL
2. THEN APPLY ADHESION PROMOTER ALL OVER THE AREA



INSTALLED PART

