



AID DESIGN

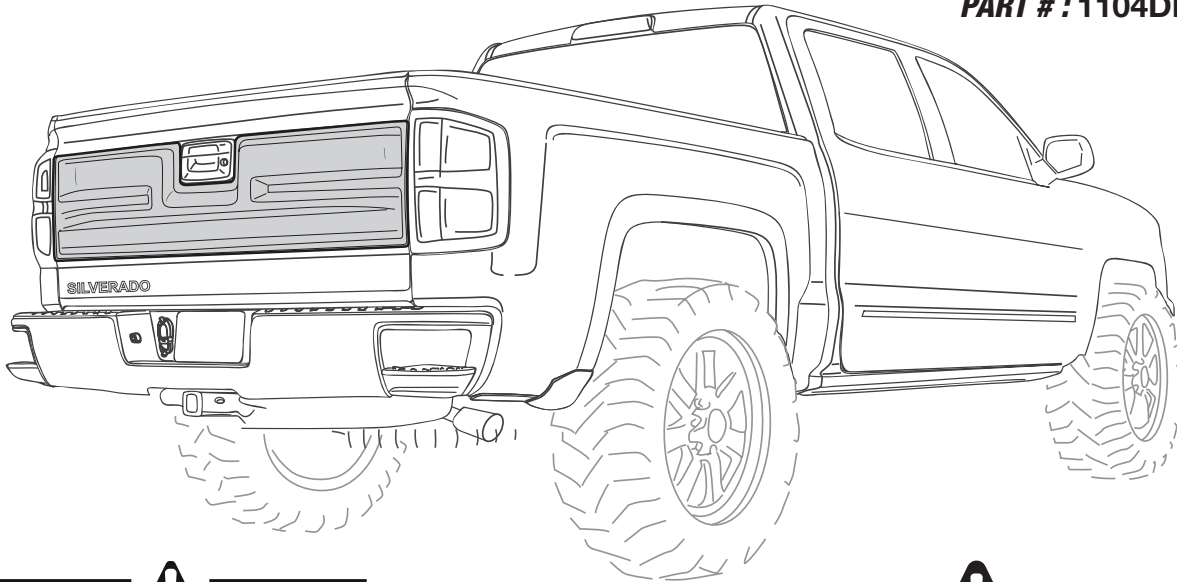
SUPER RIM
TRUCK ACCESSORIES POWERED BY AIRBUSHION USA


GM - SILVERADO 2014



INSTALLATION MANUAL

TAILGATE APPLIQUE SILVERADO 2014

PART # : 1104DNTUGM24A15



DO NOT WASH CAR  **DRIVE SLOWLY 25 mph max**

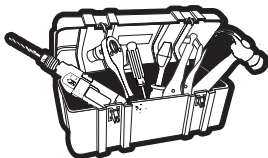
 

24 hrs

 **READ CAREFULLY BEFORE INSTALLATION**

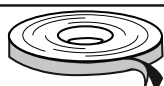



 **We recommend 2 persons for installation**

TOOLS



CHECK LIST

*Already installed in the part

ITEM	DESCRIPTION	DRAWING	AMOUNT
A	* VHB TAPE		Included in the parts
B	GREASE PENCIL		1 pc
C	ADHESION PROMOTER		1 pc
D	ECO DOME		1 pc



CID DESIGN

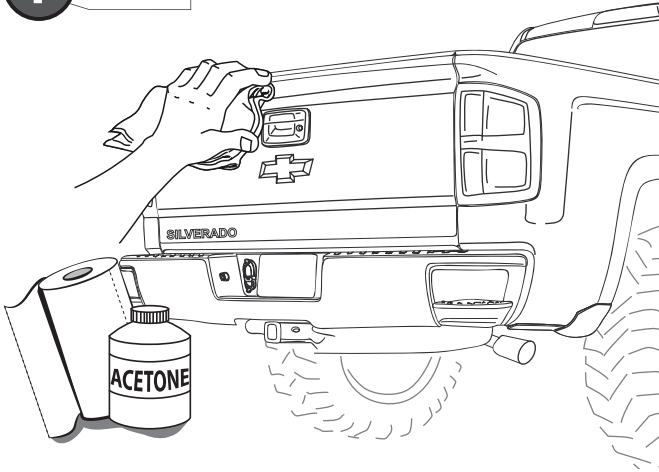
SUPER RIM
TRUCK ACCESSORIES POWERED BY HINSON USA

GM - SILVERADO 2014

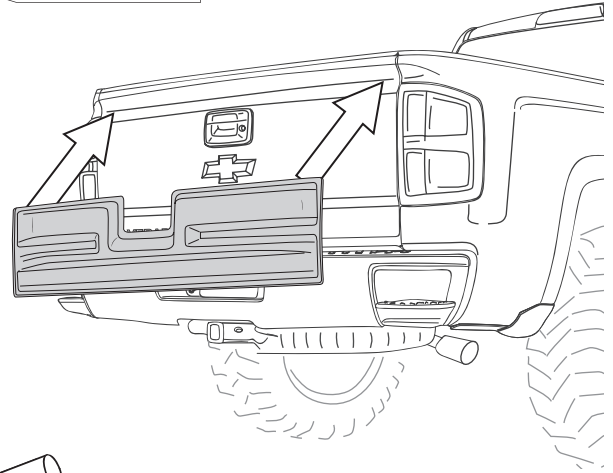
INSTALLATION MANUAL

! WASH WITH WATER, DETERGENT AND SOFT CLOTH OR SPONGE

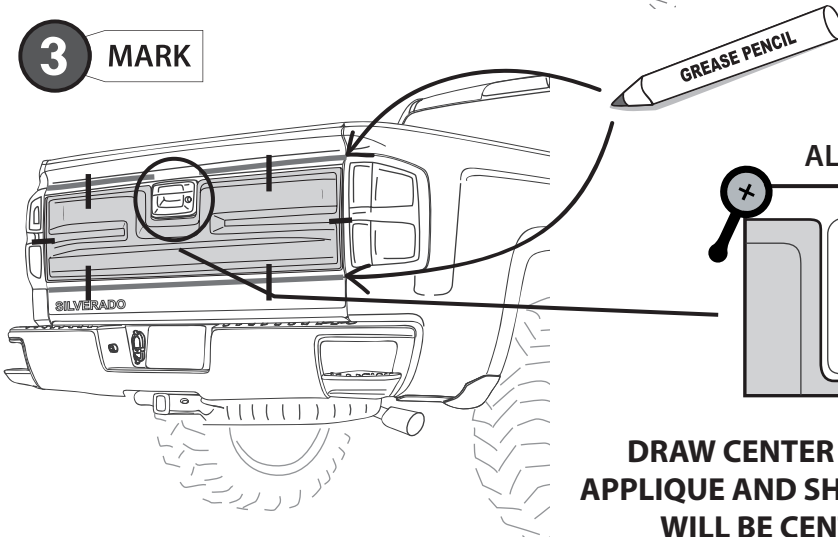
1 CLEAN



2 PRE-MOUNT



3 MARK



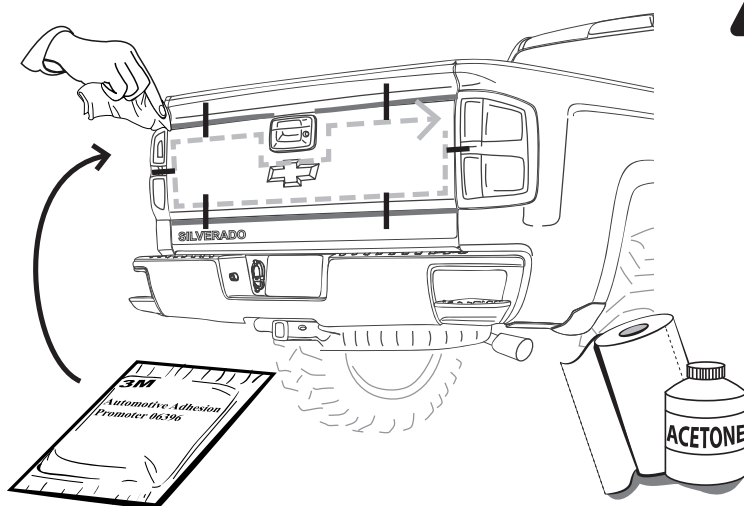
ALIGN & CENTER

! HASH MARKS

DRAW CENTER HASH MARK WITH GREASE PENCIL ON APPLIQUE AND SHEET METAL, THIS WILL ENSURE APPLIQUE WILL BE CENTERED TO GREASE PENCIL OUTLINE.

4 ADHESION PROMOTER

! FIRST CLEAN ALL OVER THE APPLICATION AREA WITH ACETONE



! A full surface contact between tape and substrate is decisive for good adhesion performance. Contact is achieved by applying pressure. In practice a pressure between 40 and 50 N/cm² is usually needed and an application temperature between 25 and 45 °C or 77 and 113 °F is also necessary. During application, add-on parts and tapes must have the similar temperature.



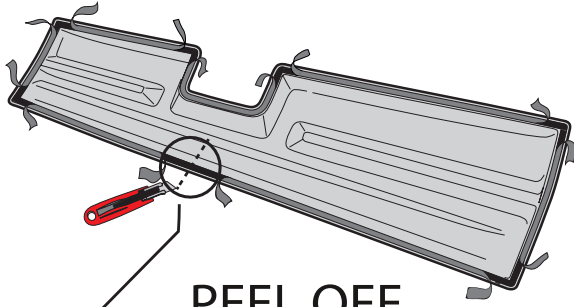
CID DESIGN

SUPER RIM
TRUCK ACCESSORIES POWERED BY KIMBERLY USA

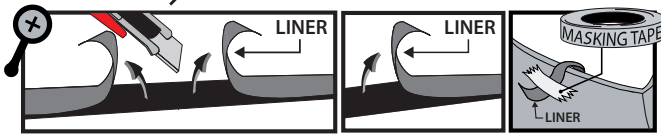
GM - SILVERADO 2014

INSTALLATION MANUAL

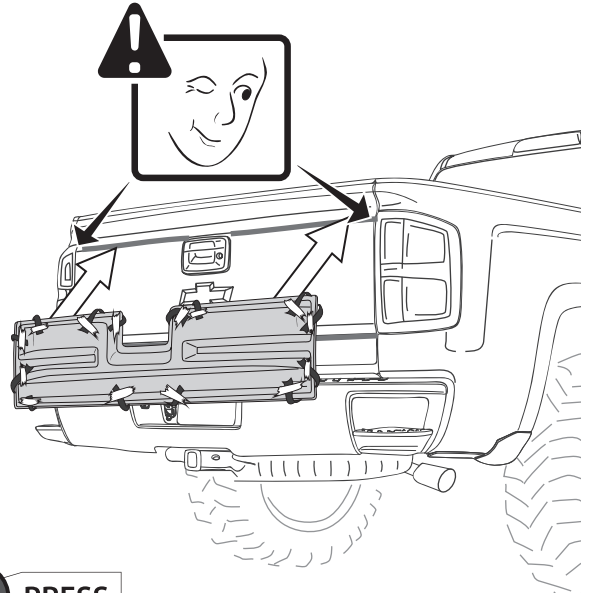
5 PEEL **WARM SURFACES WITH HEAT GUN IF SURFACE TEMPERATURE IS TOO COLD.**



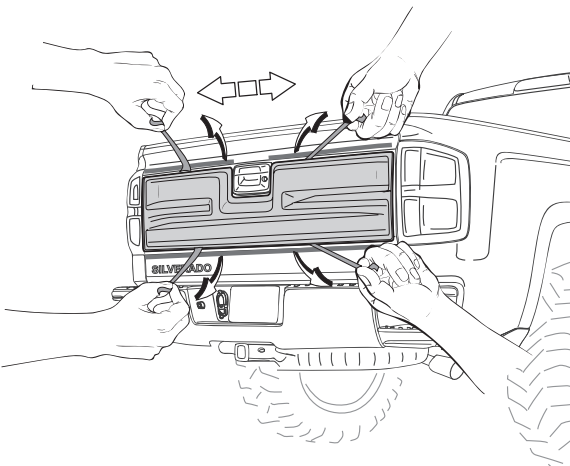
PEEL OFF
Hold the liner out



6 PLACE

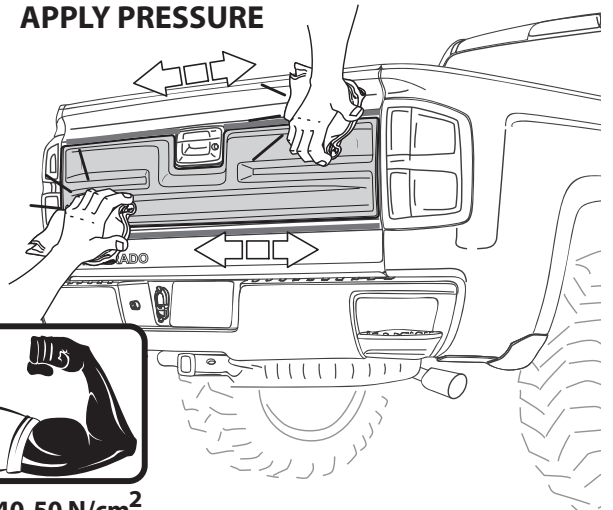


7 REMOVE LINER



8 PRESS

APPLY PRESSURE



40-50 N/cm²

INSTALLED PART

9 CLEAN OFF GREASE PENCIL MARK

