

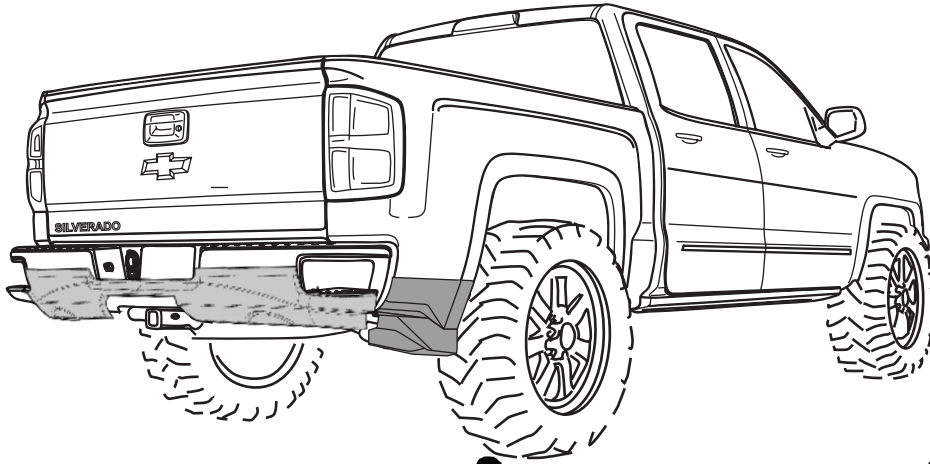


# Accessories

## GM - SILVERADO 2018 + STREET SERIES

### INSTALLATION MANUAL

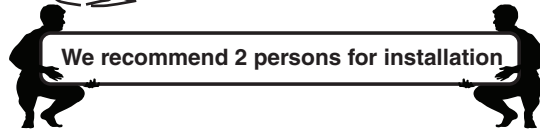
#### REAR SKIRT SILVERADO 2018 + STREET SERIES (ROUNDED TIPS) PART # : 1132DNEUGM24A140



**READ CAREFULLY THE EXHAUST PIPE  
INSTALLATION MANUAL**



**READ CAREFULLY BEFORE  
INSTALLATION**



**We recommend 2 persons for installation**



**DO NOT  
WASH CAR**

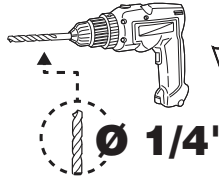
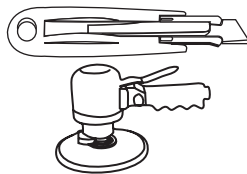


**DRIVE SLOWLY  
25 mph max**

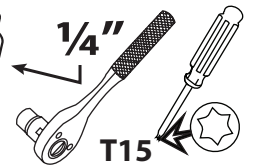


**24 hrs**

### TOOLS











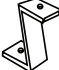

**1/4"**



**T15**

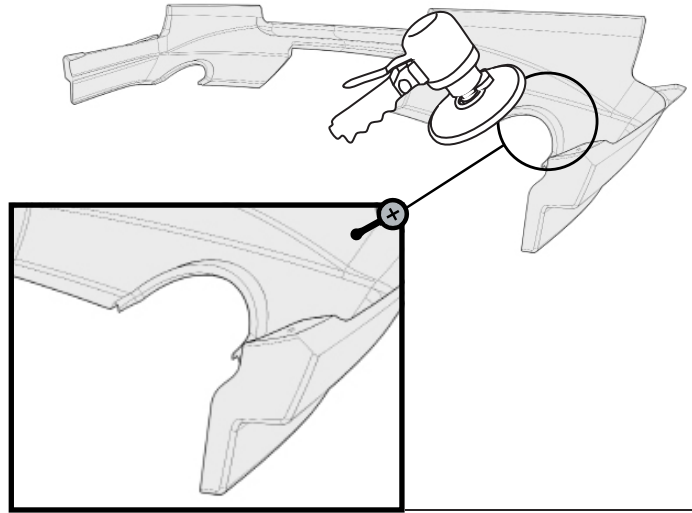
### CHECK LIST

*\*Already installed in the part*

| ITEM     | DESCRIPTION                   | DRAWING  | AMOUNT            |
|----------|-------------------------------|--|-------------------|
| <b>A</b> | *VHB TAPE                     |  | INCLUDED IN PARTS |
| <b>B</b> | GREASE PENCIL                 |  | 1 PC              |
| <b>C</b> | ADHESION PROMOTER             |  | 2 PC              |
| <b>D</b> | PUSH PIN 387                  |  | 4 PC              |
| <b>E</b> | SCREW HEX HEAD 5/32" x 1-1/4" |  | 2 PC              |
| <b>F</b> | WASHER NIQ. 1/4"              |  | 2 PC              |
| <b>G</b> | *BRACKET Z18                  |  | 2 PC              |
| <b>H</b> | POLYURETHANE ADHESIVE         |  | 1 PC              |
| <b>I</b> | *BRACKET TYPE "Z 19"          |  | 2 PC              |
| <b>J</b> | EXHAUST TIP                   |  | 1 PC              |

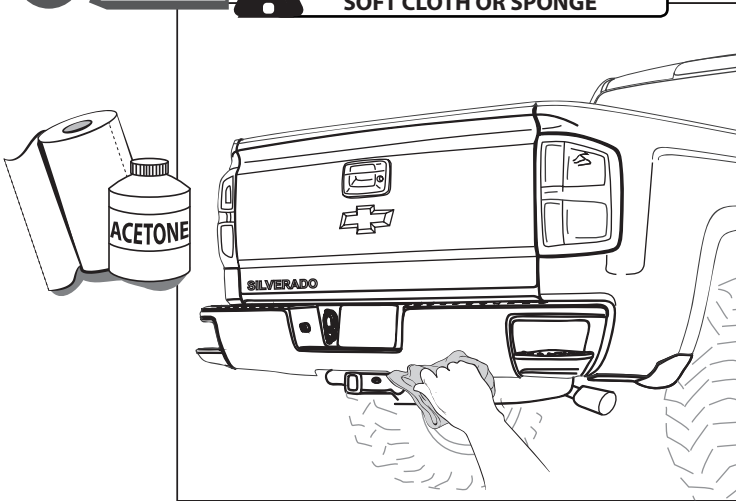
**NOTE:**

If you are going to install a rear exhaust system, then you can cut out the spoiler in the grooves in order to use single or dual rear exhaust tips. Just grind down the groove from the inside of the spoiler until the cap splits off.

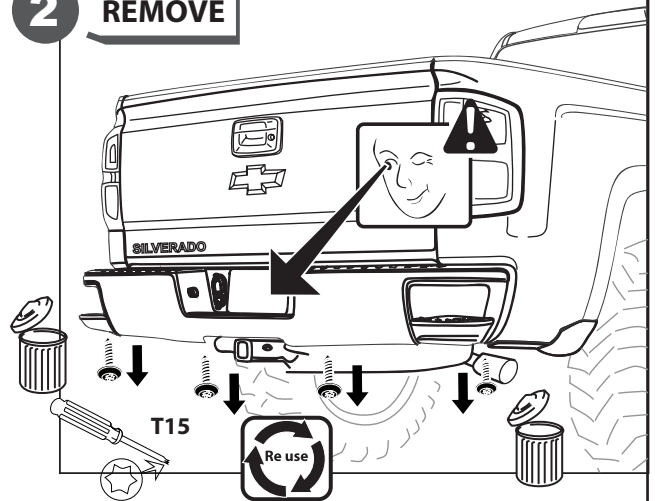


**1 CLEAN**

WASH WITH, DETERGENT AND SOFT CLOTH OR SPONGE

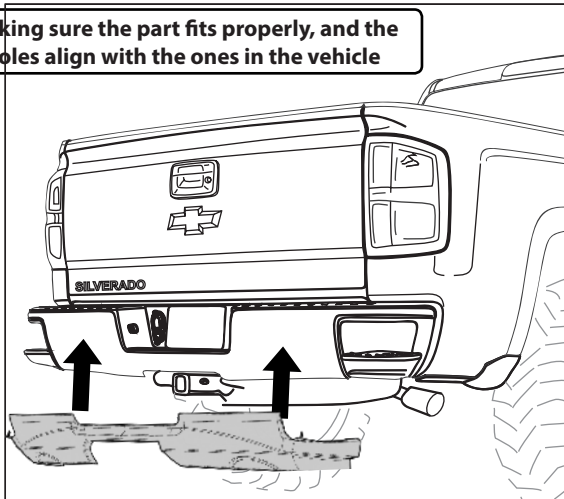


**2 REMOVE**

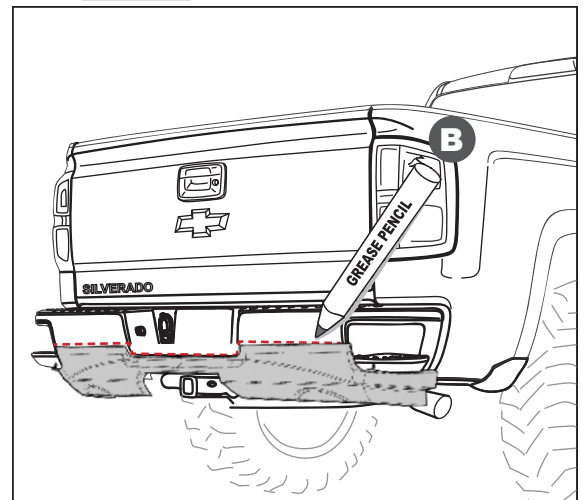


**3 PRE-MOUNT**

Making sure the part fits properly, and the holes align with the ones in the vehicle



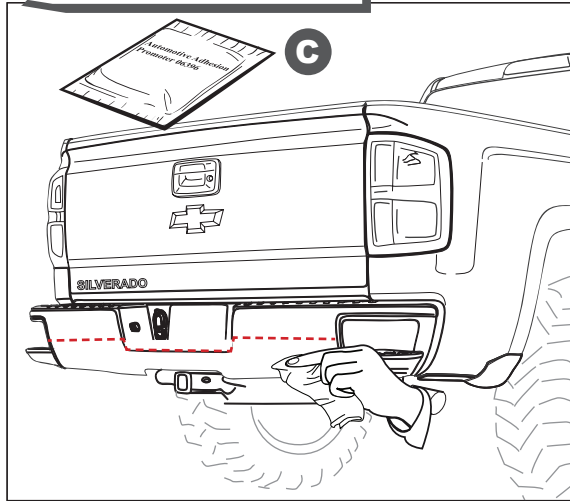
**4 MARK**





### INSTALLATION MANUAL

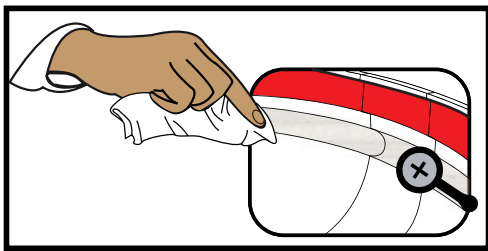
#### 5 ADHESION PROMOTER



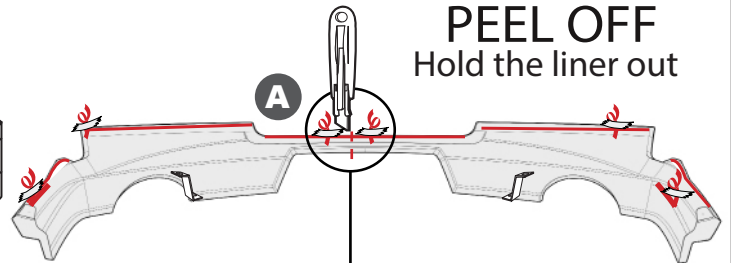
**IMPORTANT**  
ENSURE THE SURFACES ARE COMPLETELY CLEAN BEFORE INSTALLING

**!** A full surface contact between tape and substrate is decisive for good adhesion performance. Contact is achieved by applying pressure. In practice a pressure between 40 and 50 N/cm<sup>2</sup> is usually needed and an application temperature between 25 and 45 °C or 77 and 113 °F is also necessary. During application, add-on parts and tapes must have the similar temperature.

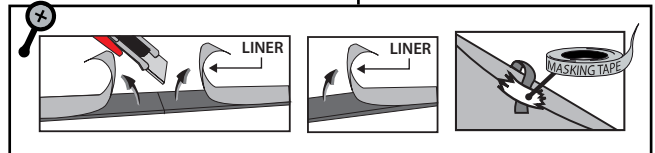
#### 6 CLEAN



#### 7 PEEL



**PEEL OFF**  
Hold the liner out

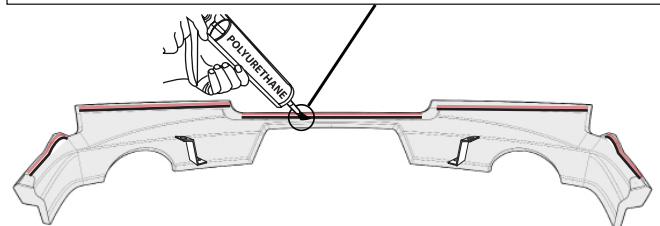
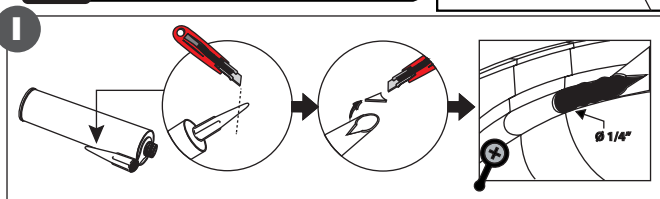


**!** WARM SURFACES WITH HEAT GUN IF SURFACE TEMPERATURE IS TOO COLD.

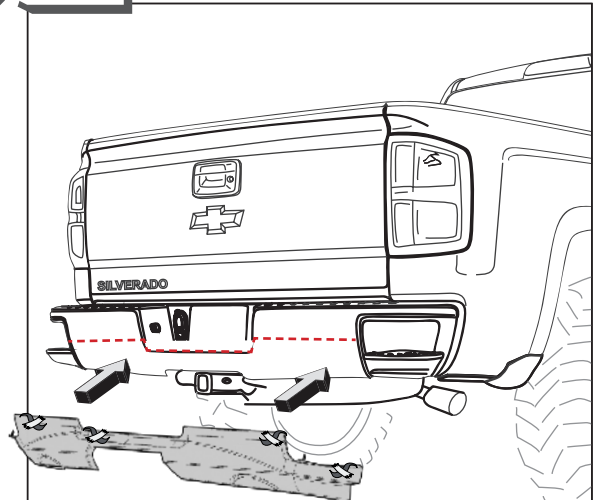
#### 8 APPLY ADHESIVE

**!** USE ACETONE TO THOROUGHLY CLEAN ADHESIVE CHANNEL

VHB TAPE —  
GROOVE FOR ADHESIVE

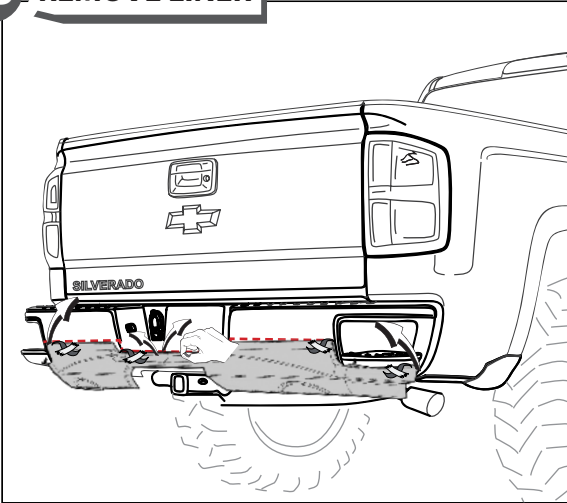


#### 9 PLACE

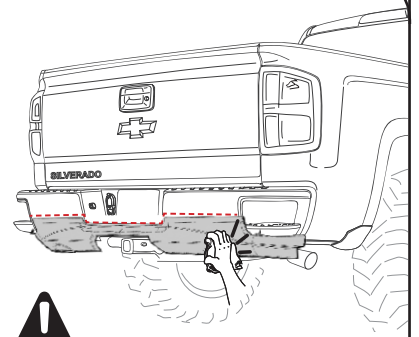


### INSTALLATION MANUAL

#### 10 REMOVE LINER

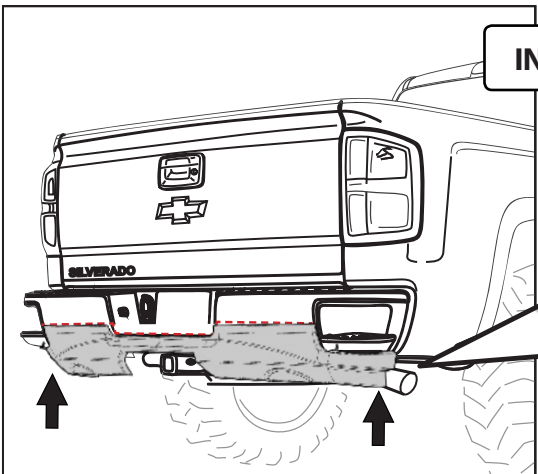


#### 11 PRESS

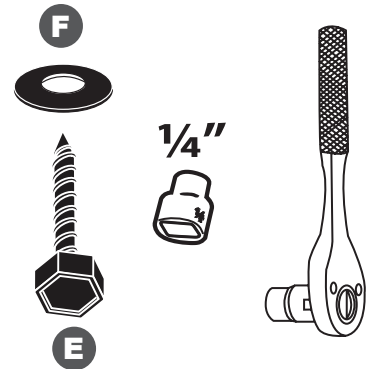
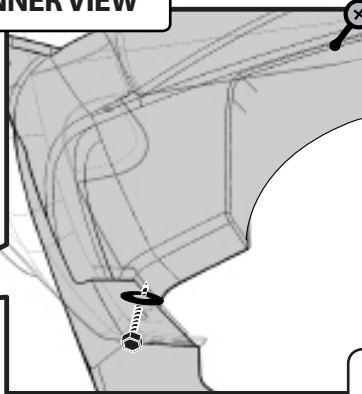


A full surface contact between tape and Dsubstrate is decisive for good adhesion performance. Contact is achieved by applying pressure. In practice a pressure between 40 and 50 N/cm<sup>2</sup> is usually needed and an application temperature between 25 and 45 °C or 77 and 113 °F is also necessary. During application, add-on parts and tapes must have the similar temperature.

#### 12 SCREW

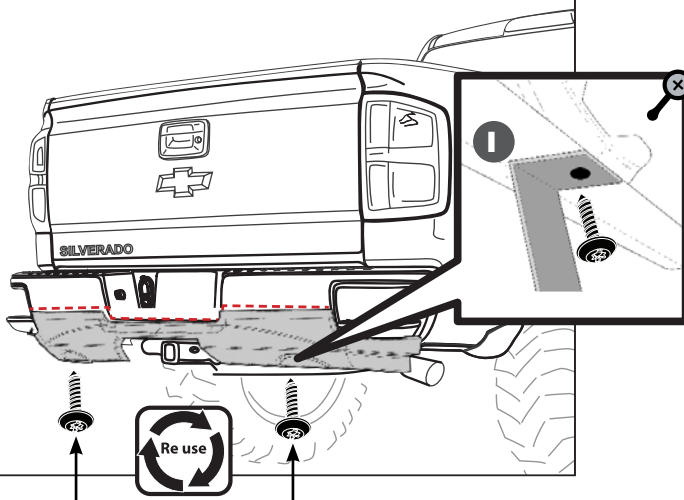


INNER VIEW

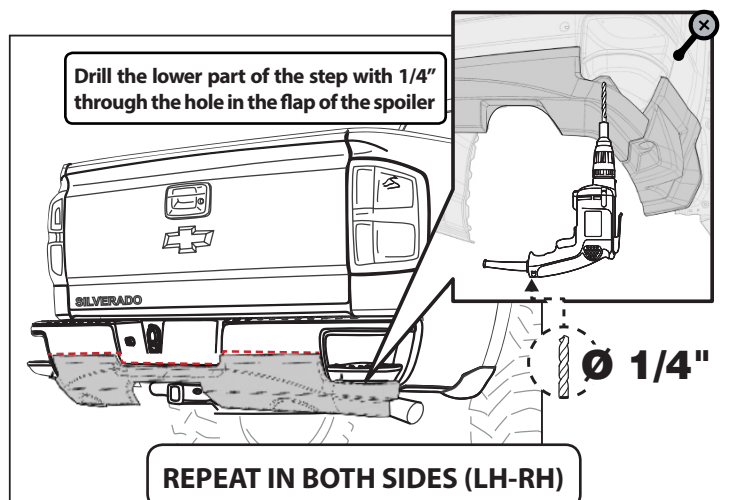


REPEAT IN BOTH SIDES (LH-RH)

#### 13 FIX BRACKET TO BUMPER



#### 14 DRILL FOR PUSH PINS



REPEAT IN BOTH SIDES (LH-RH)

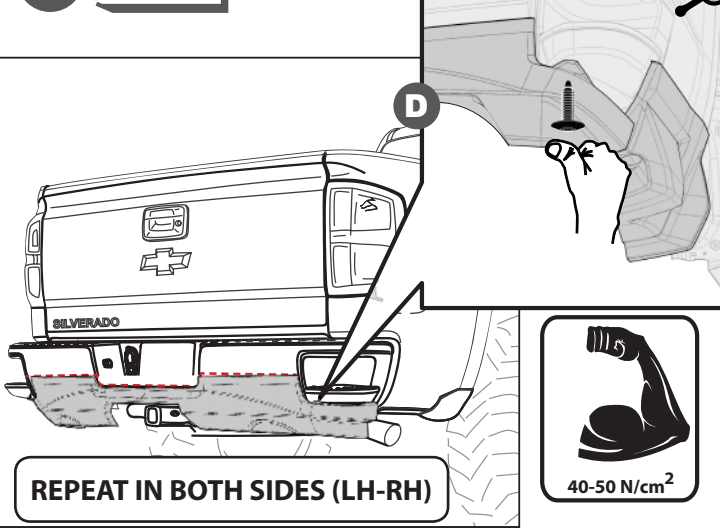


### INSTALLATION MANUAL

#### 15 PLACE

#### BOTTOM VIEW

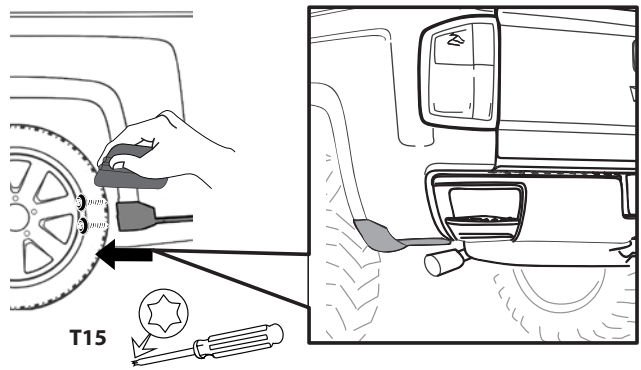
#### 16 CLEAN OFF GREASE PENCIL MARK



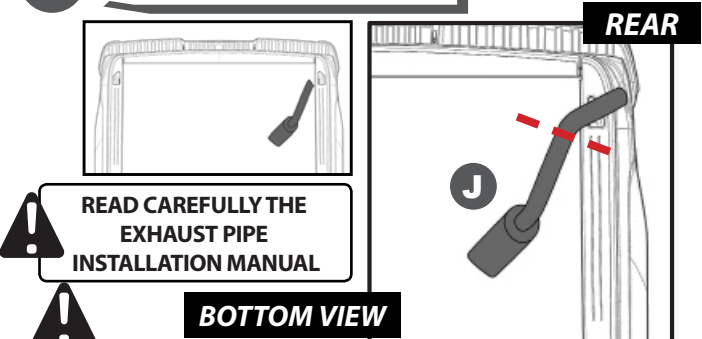
#### 17 REMOVE AND SAVE SCREWS



FACTORY PLASTIC CORNER CAPS HAVE TO BE REMOVED BEFORE INSTALLING



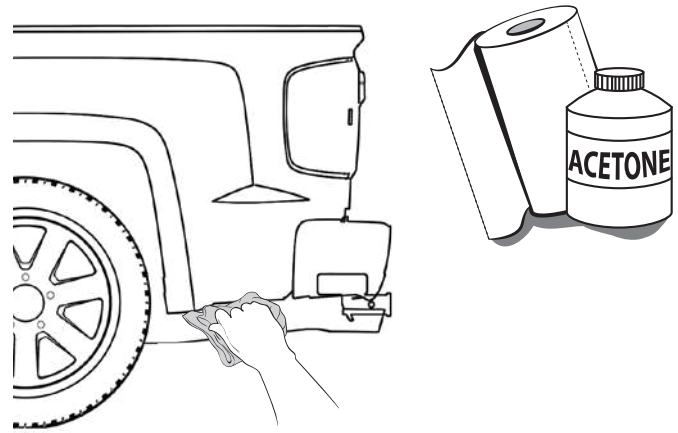
#### 18 EXHAUST PIPE FIXATION



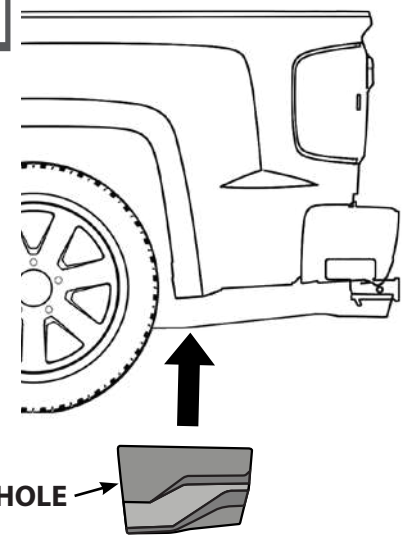
For the Right side. The exhaust pipe must be trimmed. You can place an exhaust pipe elbow coupler with a tip that poke out on the side below, or on the rear.

#### 19 CLEAN

#### 20 PRE-MOUNT

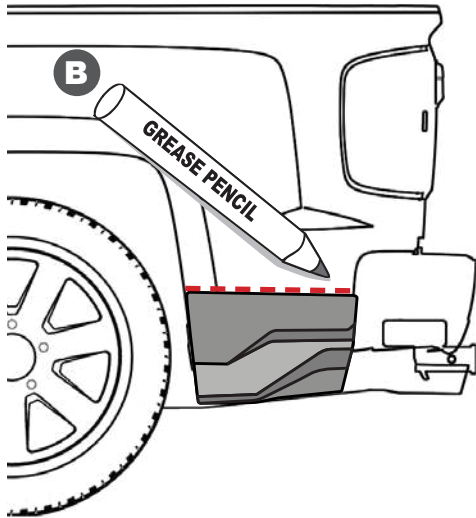


MAKE SURE FLAP HOLES MATCHES BOX ORIGINAL HOLE

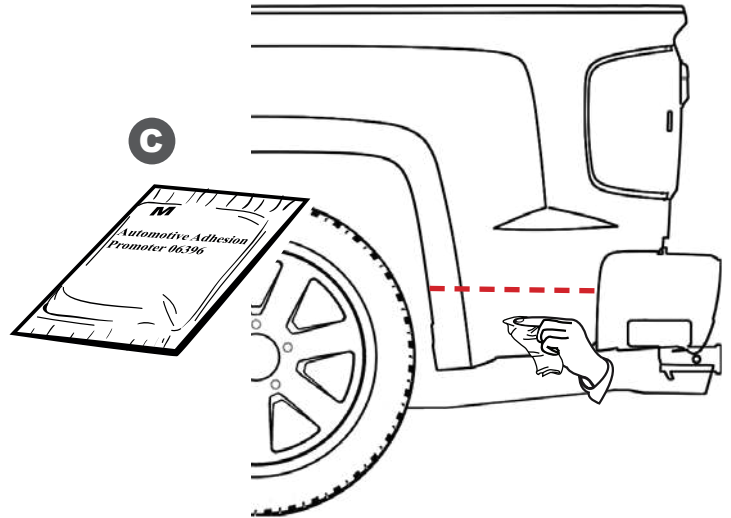




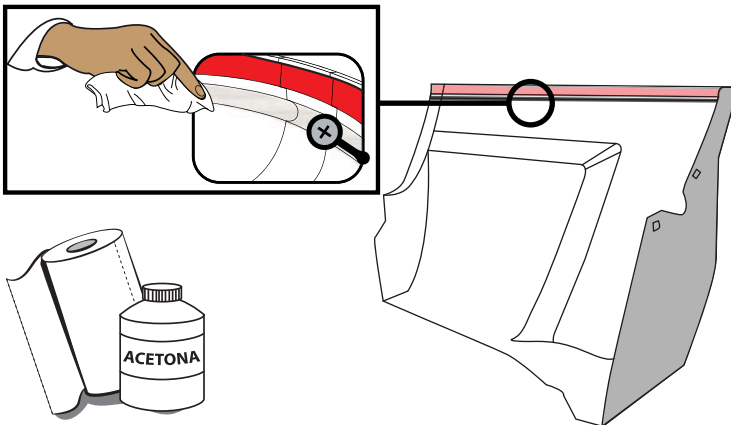
#### 21 MARK



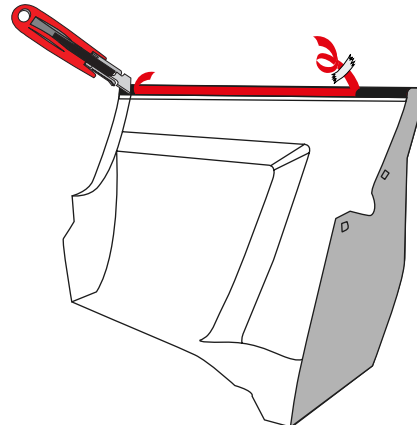
#### 22 ADHESION PROMOTER



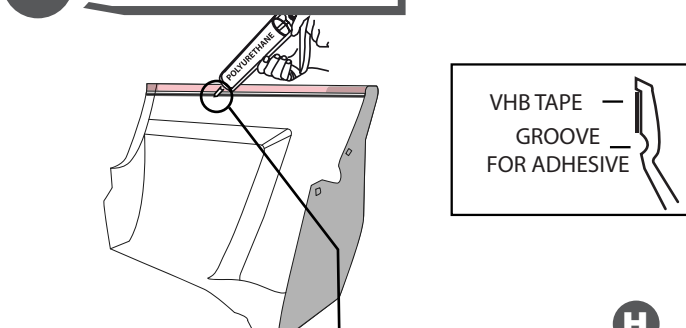
#### 23 CLEAN



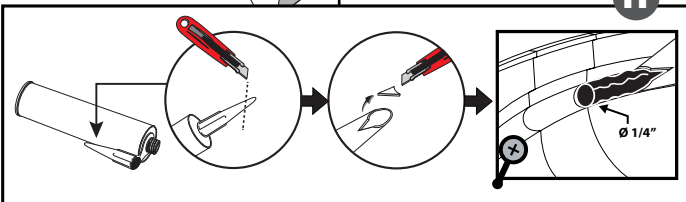
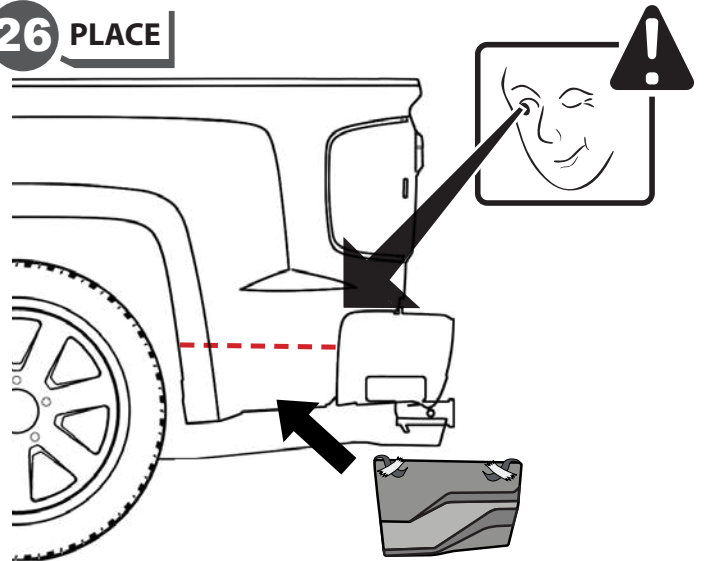
#### 24 PEEL



#### 25 APPLY ADHESIVE

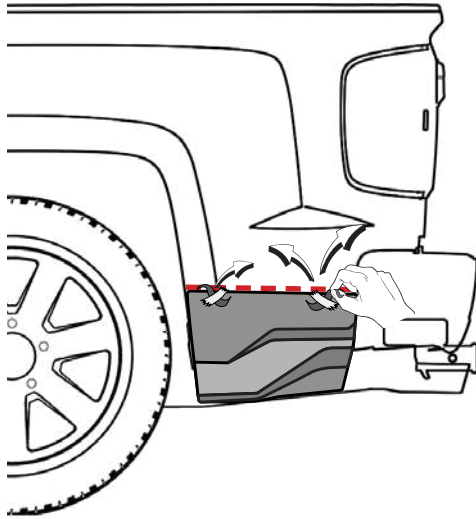


#### 26 PLACE



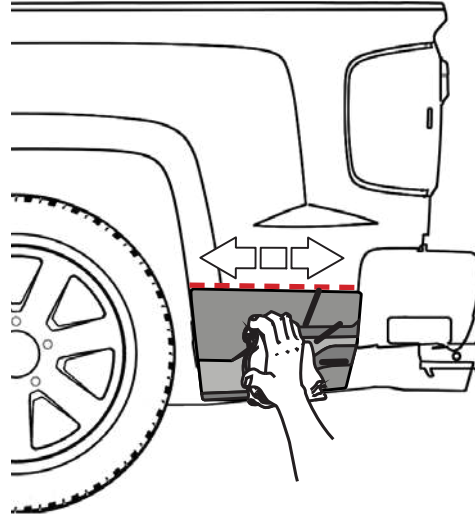


#### 27 REMOVE LINER

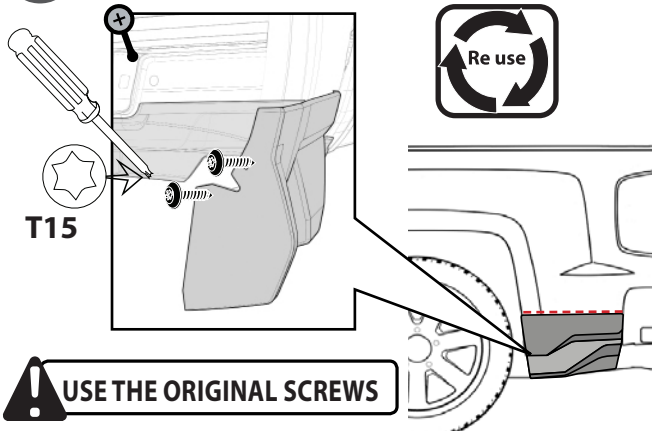


#### 28 PRESS

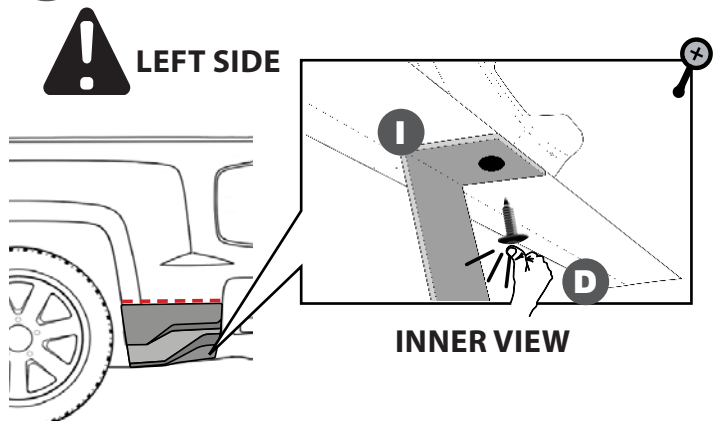
APPLY PRESSURE



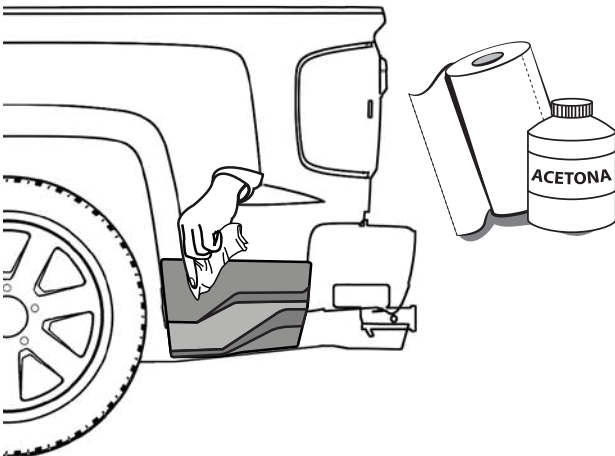
#### 29 SCREW



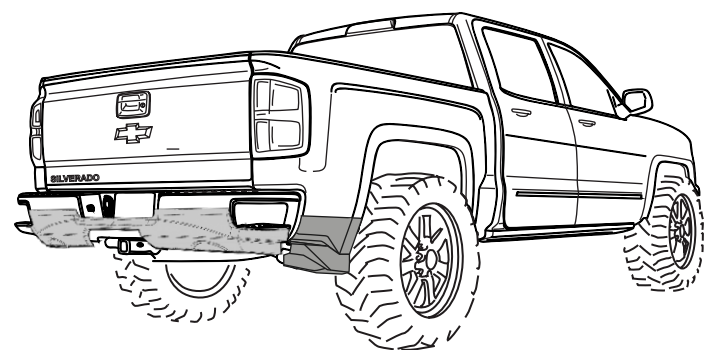
#### 30 PRESS PUSH PIN



#### 31 CLEAN OFF GREASE PENCIL MARK



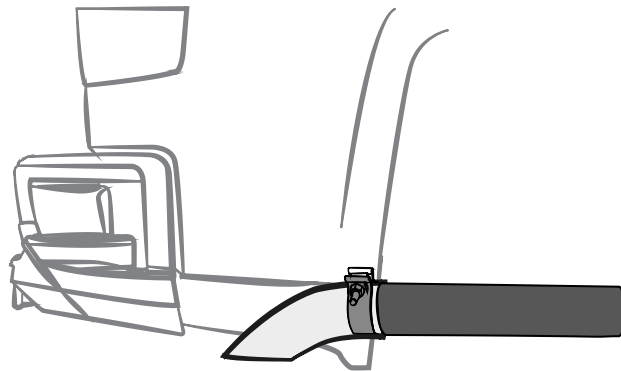
#### 32 INSTALLED PART





### EXHAUST PIPE TIPS

**FOR EXHAUST PIPES**  
**2 3/4" OR 3"**



#### AFTER INSTALLING



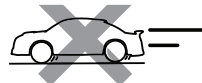
**READ CAREFULLY BEFORE  
INSTALLATION**

DOT NOT WASH CAR



**24 hrs**

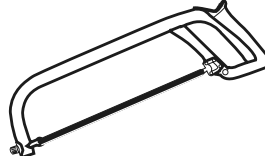
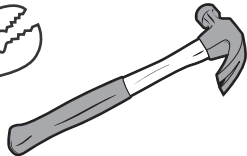
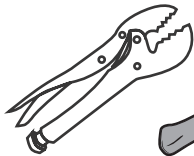
DRIVE SLOWLY 25 mph max



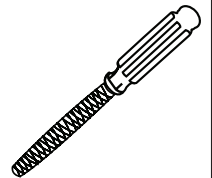
We recommend 2 persons for installation



### TOOLS




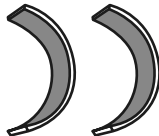


15 MM



### CHECK LIST

**\*ALREADY PRE-INSTALLED ON THE PART**

| ITEM | DESCRIPCIÓN       | DIBUJO   | CANTIDAD |
|------|-------------------|--|----------|
| A    | GREASE PENCIL     |  | 1 PC     |
| B    | EXHAUST ELBOW TIP |  | 1 PC     |
| C    | FLAT BAND CLAMP   |  | 1 PC     |
| D    | SPACERS           |  | 2 PCS    |

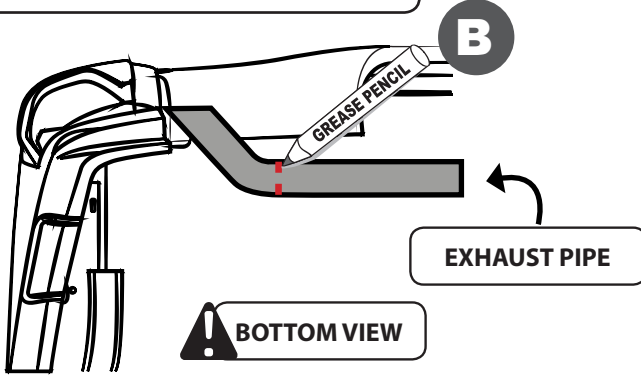




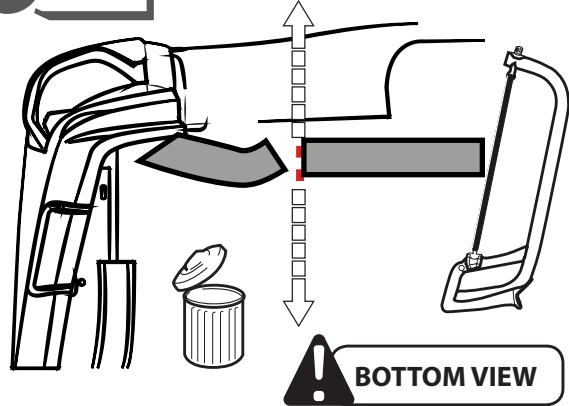
## INSTALLATION MANUAL

### 1 MARK

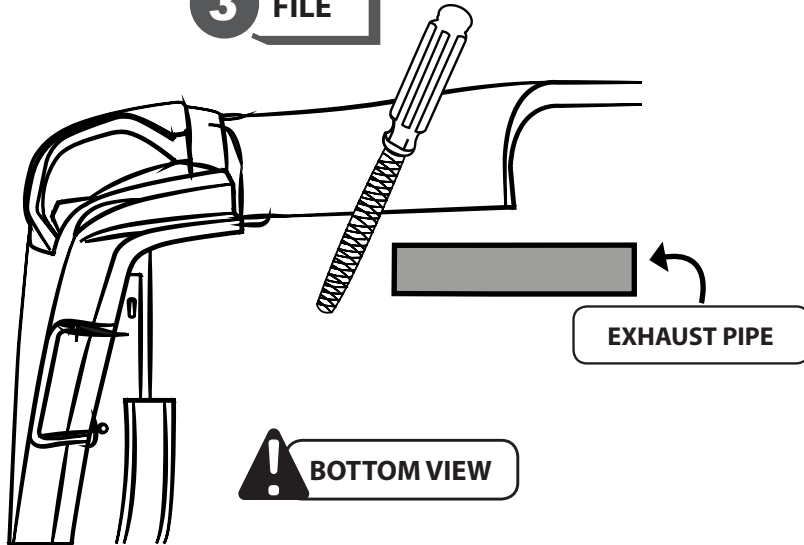
**!** JUST RIGHT BEFORE THE BENT



### 2 TRIM

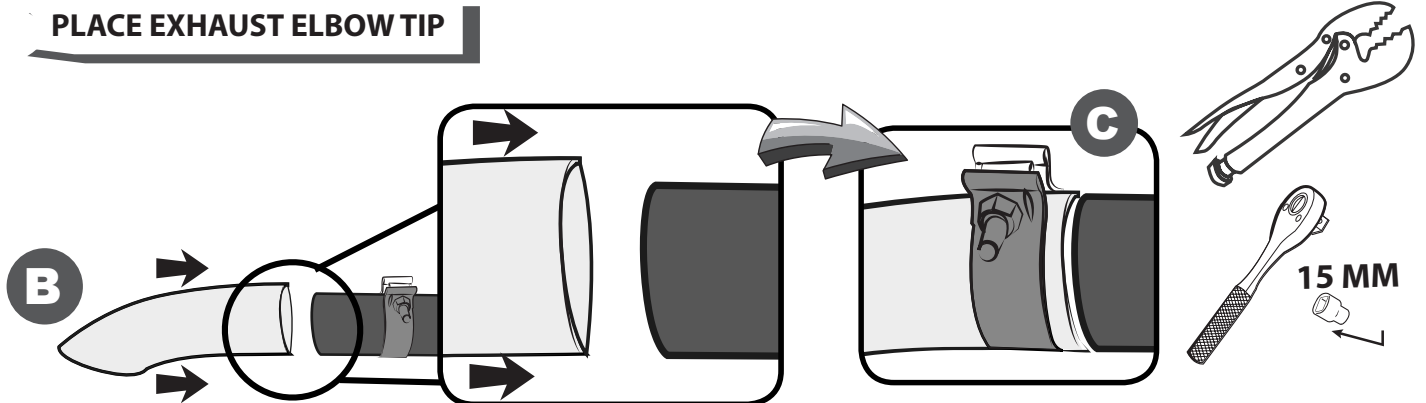


### 3 FILE



IF YOUR TRUCK IS EQUIPPED WITH A 3" EXHAUST PIPE, PLACE EXHAUST ELBOW TIP AROUND EXHAUST PIPE FACING TO THE GROUND AND TIGHTEN FIRMLY.

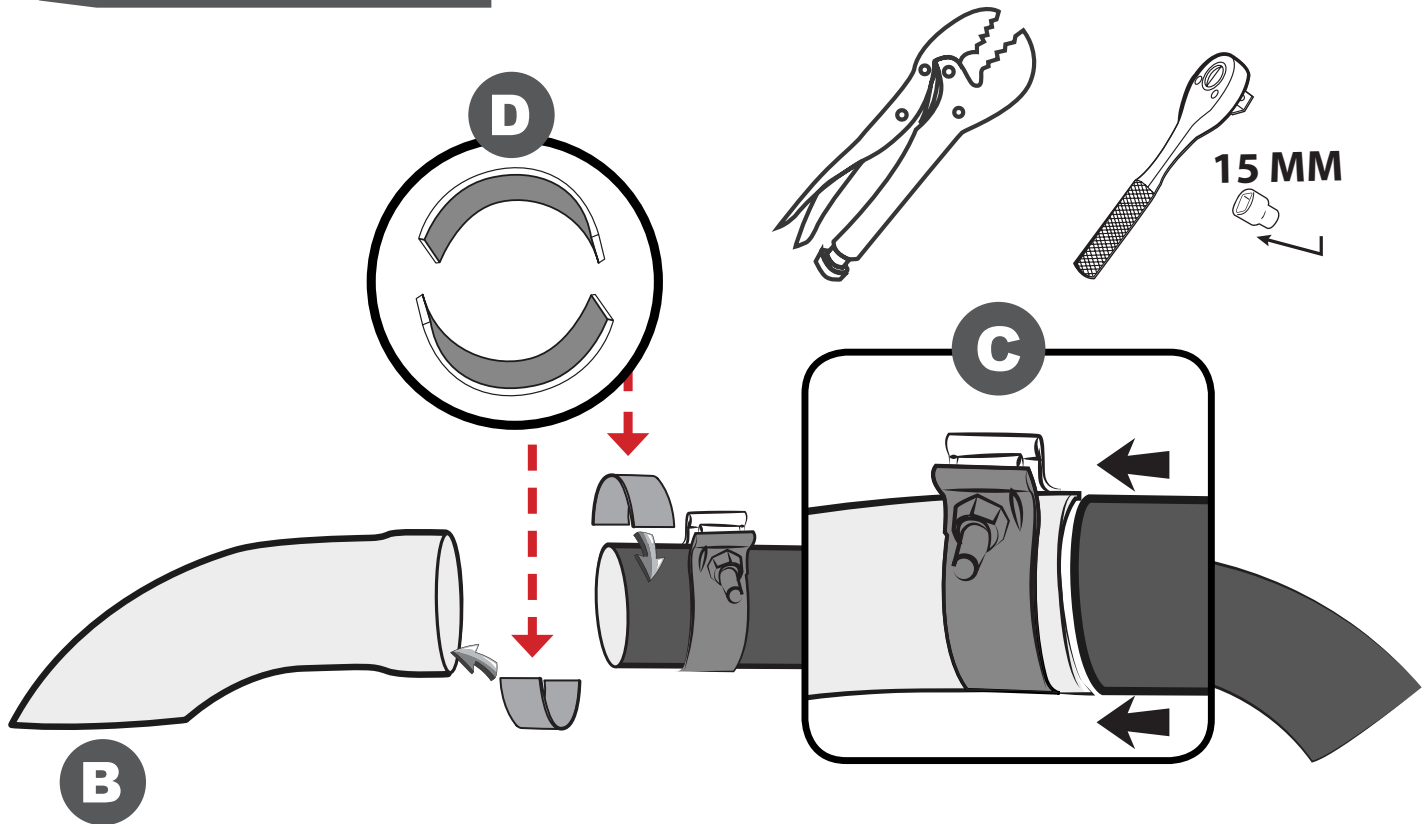
PLACE EXHAUST ELBOW TIP





IF YOUR TRUCK IS EQUIPPED WITH A **2 3/4"** EXHAUST PIPE, PLACE EXHAUST ELBOW TIP AND SPACERS AROUND EXHAUST PIPE FACING TO THE GROUND AND TIGHTEN FIRMLY.

### PLACE EXHAUST ELBOW TIP



### INSTALLED PARTS

