

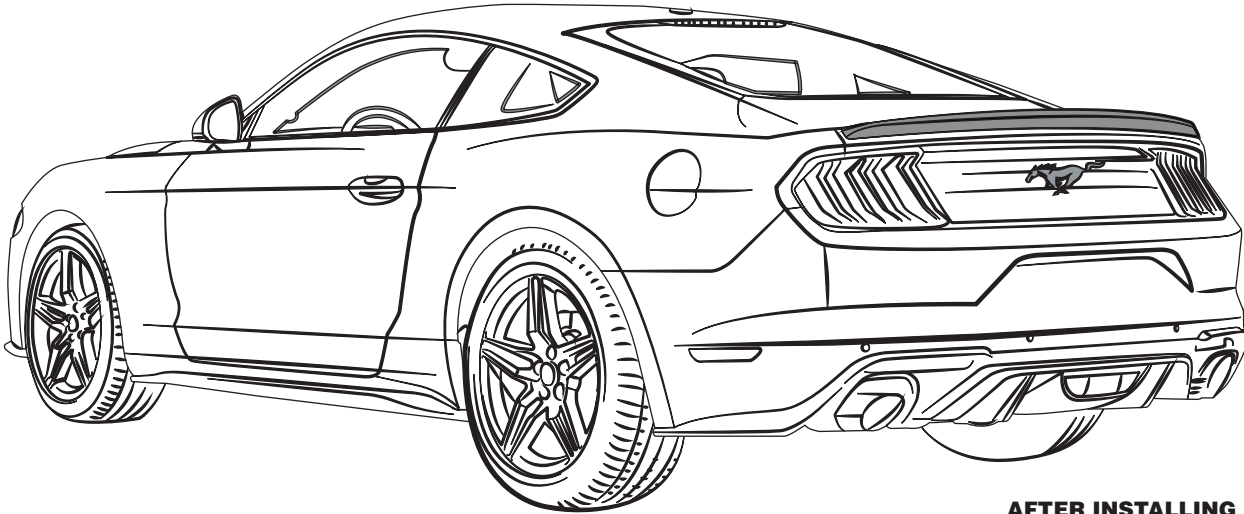


FORD - MUSTANG 2018

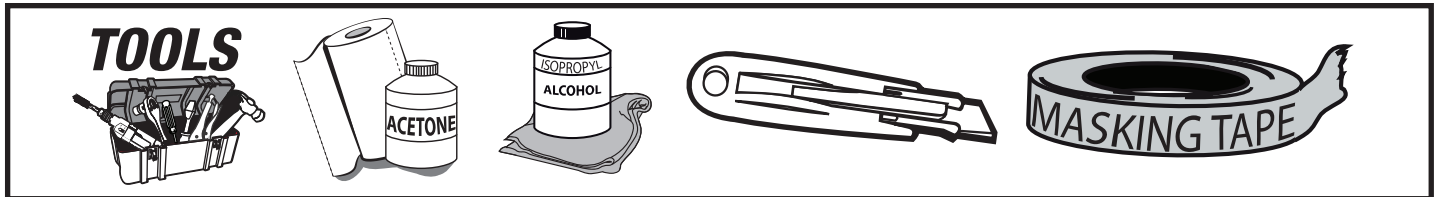
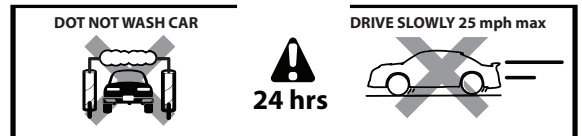
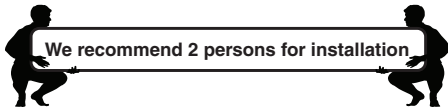
INSTALLATION MANUAL

REAR DECK SPOILER COUPE

AD PART #: 1103LXGUF024A32



AFTER INSTALLING

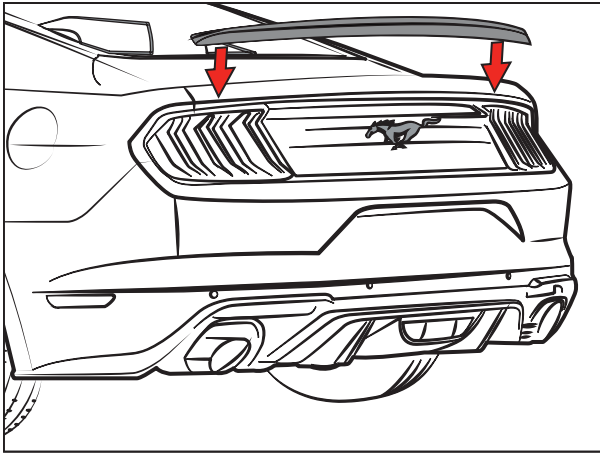


CHECK LIST

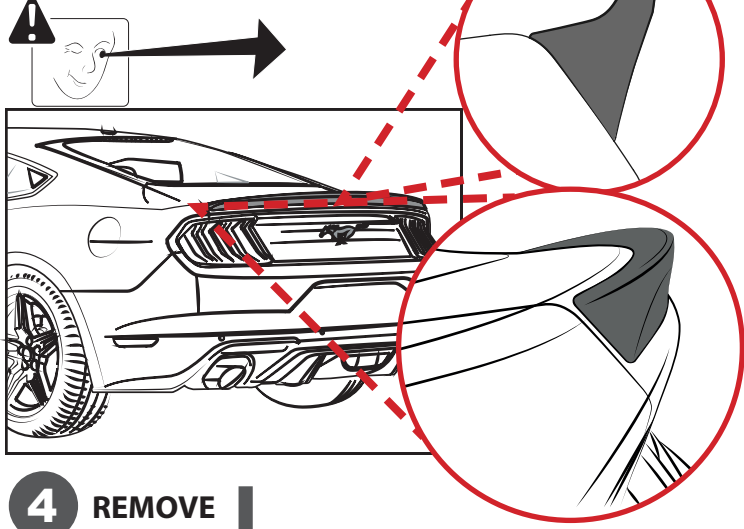
*ALREADY PRE-INSTALLED ON THE PART

ITEM	DESCRIPTION	DRAWING	AMOUNT
A	*DOUBLE SIDED TAPE		PRE-INSTALLED
B	GREASE PENCIL		1 PC
C	ADHESION PROMOTER		1 PC

1 PRE-MOUNT

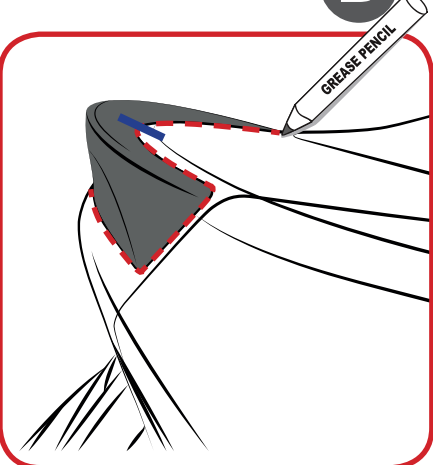


2 CENTER



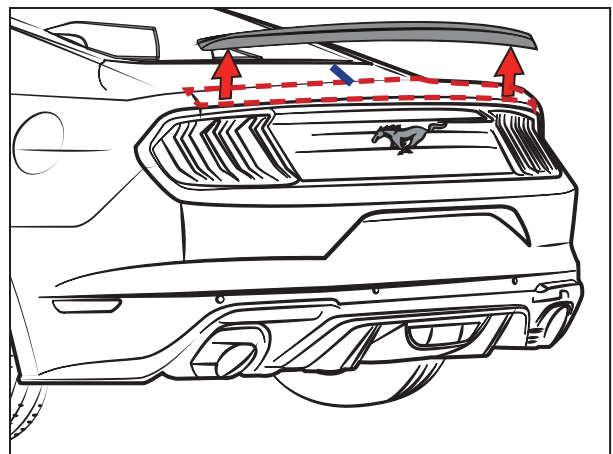
3 MARK

B HASH MARKS

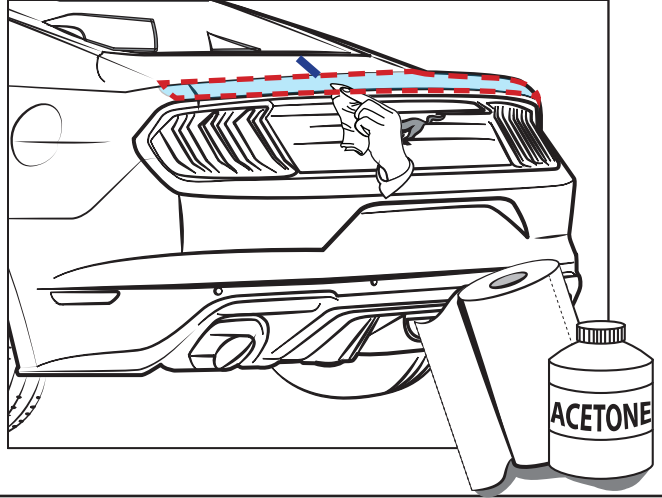


!
DRAW CENTER HASH MARK WITH GREASE PENCIL ON SPOILER AND SHEET METAL, THIS WILL ENSURE SPOILER WILL BE CENTERED TO GREASE PENCIL OUTLINE.

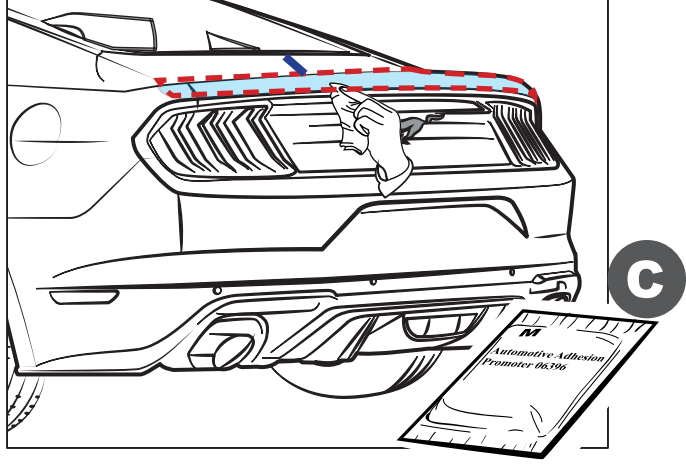
4 REMOVE



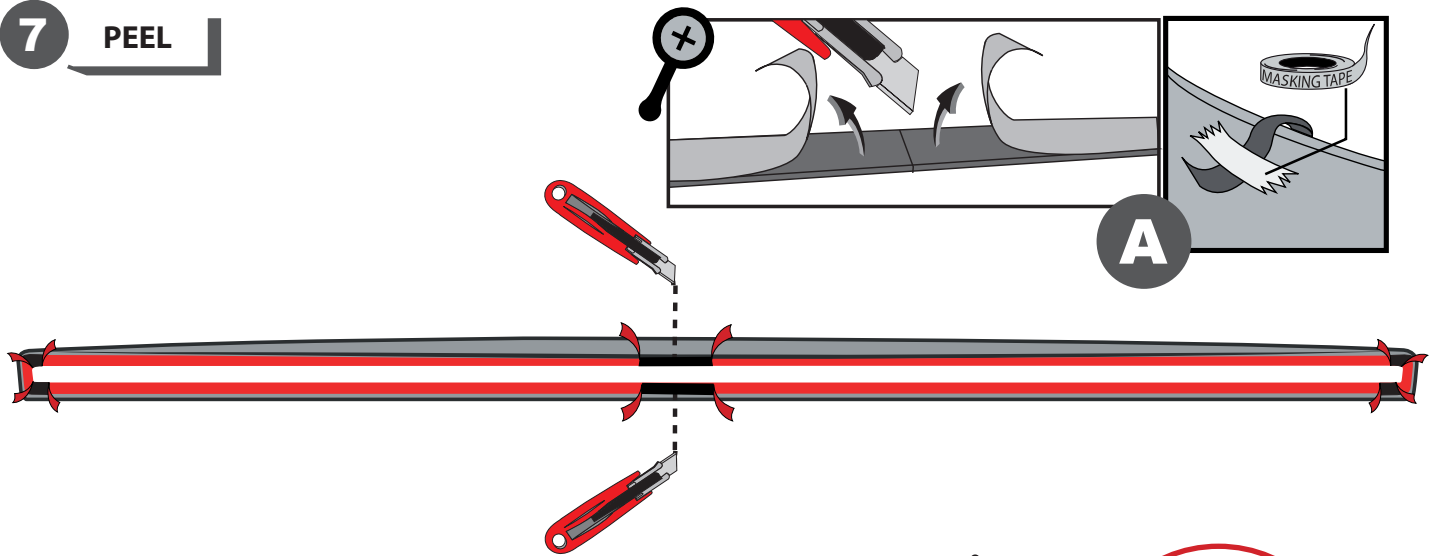
5 CLEAN



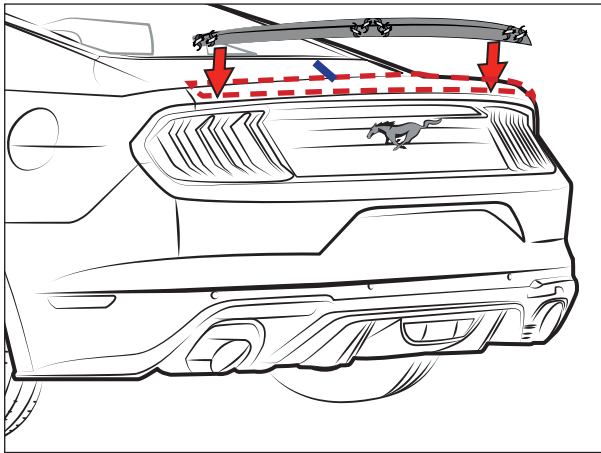
6 ADHESION PROMOTER



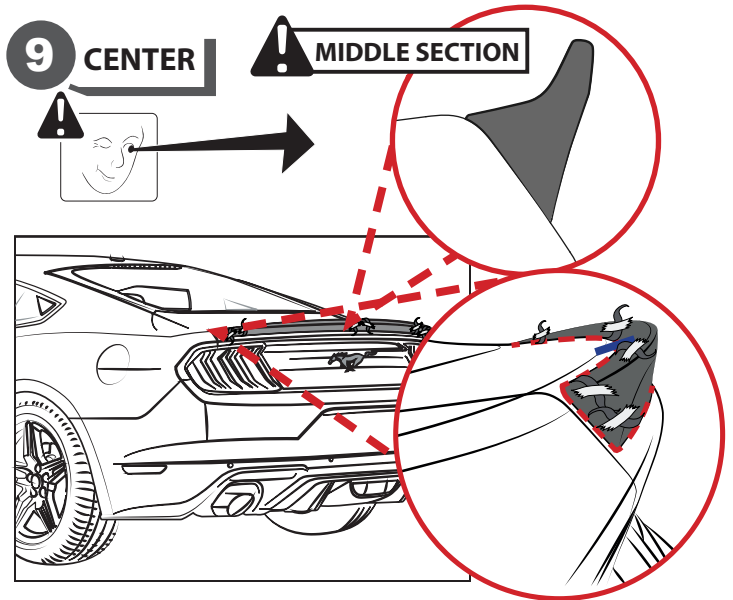
7 PEEL



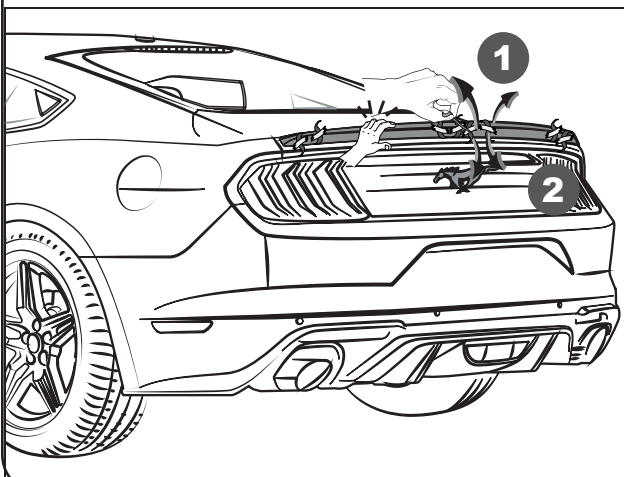
8 PLACE



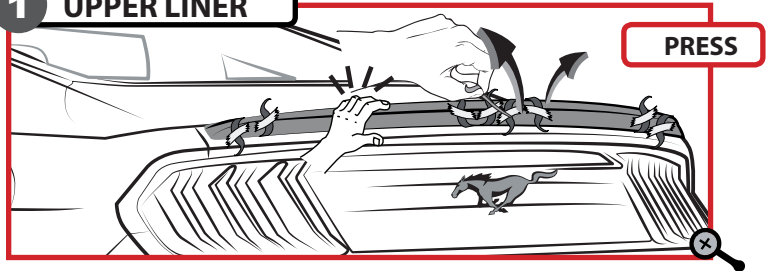
9 CENTER



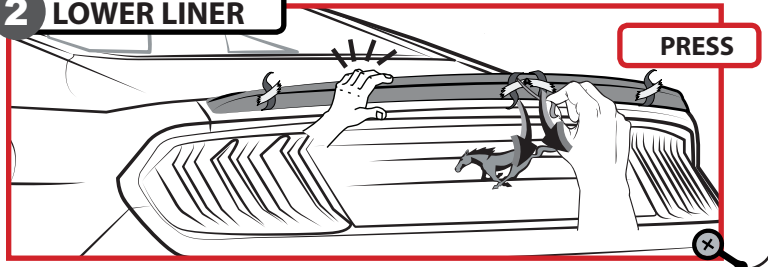
10 REMOVE LINER



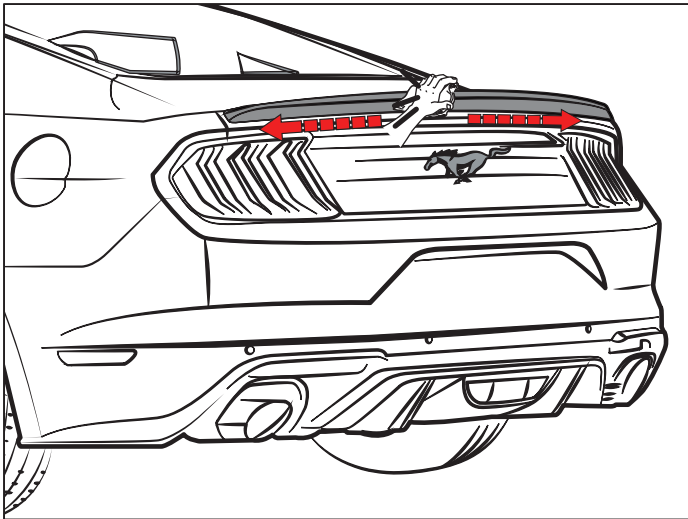
1 UPPER LINER



2 LOWER LINER



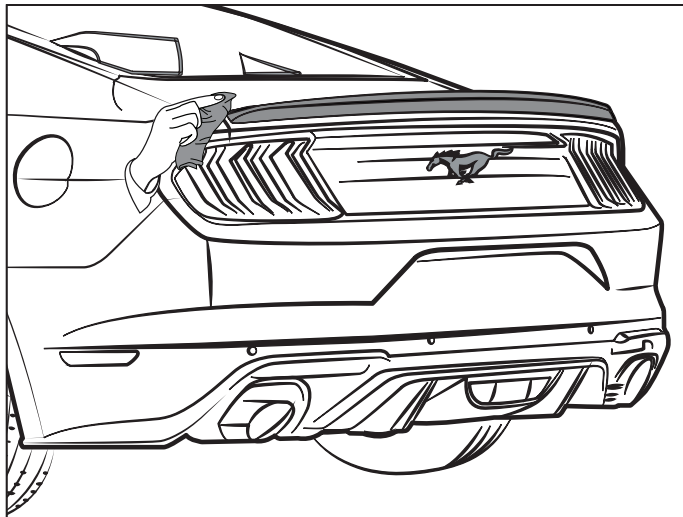
11 PRESS



!

A full surface contact between tape and substrate is important for good adhesion performance. Contact is achieved by applying pressure. In practice a pressure between 40 and 50 N/cm² is usually needed and an application temperature at or above 16 °C or 60 °F is also necessary. During application, the vehicle, add on parts and tape must be at a similar temperature.

12 CLEAN



13 INSTALLED PART

