



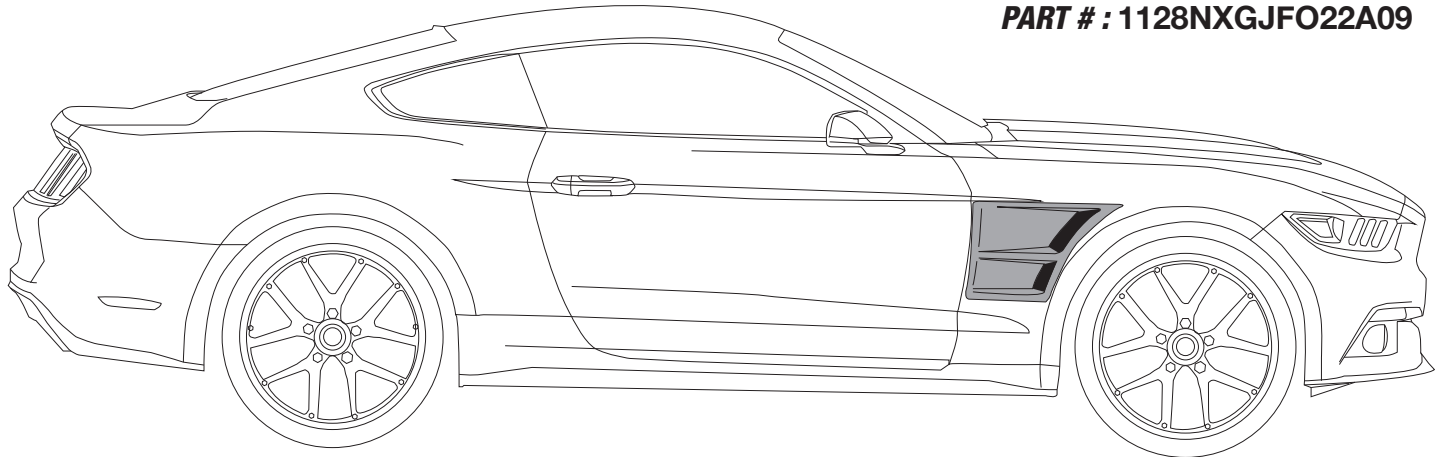
CID DESIGN

FORD MUSTANG 2015

INSTALLATION MANUAL

FENDER VENTS MUSTANG 2015 SET

PART #: 1128NXGJFO22A09



DO NOT WASH CAR **DRIVE SLOWLY 25 mph max**

24 hrs

READ CAREFULLY BEFORE INSTALLATION

We recommend 2 persons for installation



CHECK LIST

*Already installed in the part

ITEM	DESCRIPTION	DRAWING	AMOUNT
A	*VHB TAPE		Included in the parts
B	GREASE PENCI		1 pcs
C	AUTOMOTIVE ADHESION PROMOTER		1 pcs
D	* PHILLIPS SCREW 1/8" X 1/4"		18 pcs
E	* WASHER M4		18 pcs
F	*MESH		1 Sets
G	TEMPLATE		2 pcs
H	ECO DOME		1 pcs

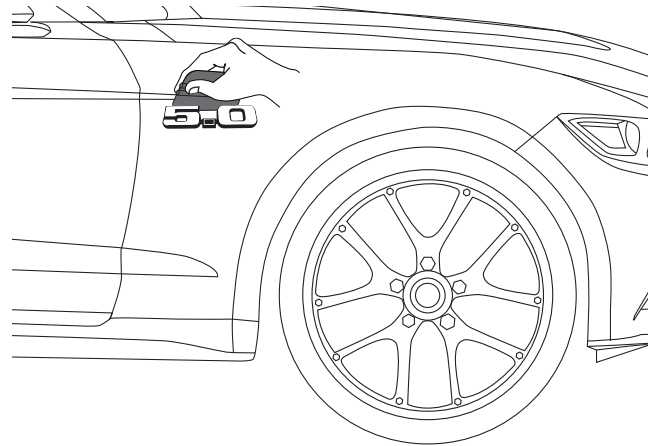
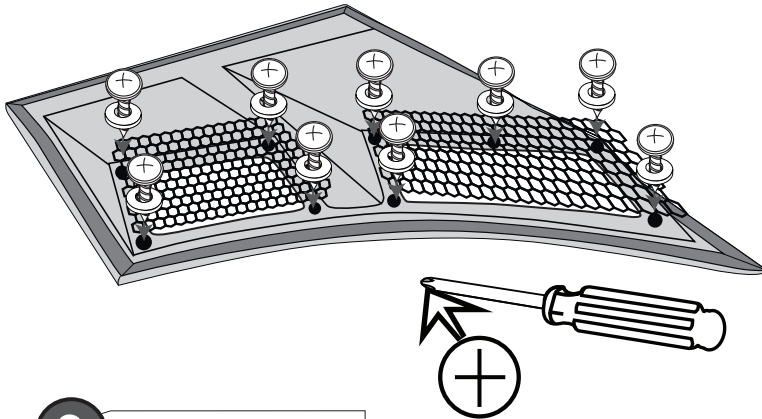


! WASH WITH WATER, DETERGENT AND SOFT CLOTH OR SPONGE

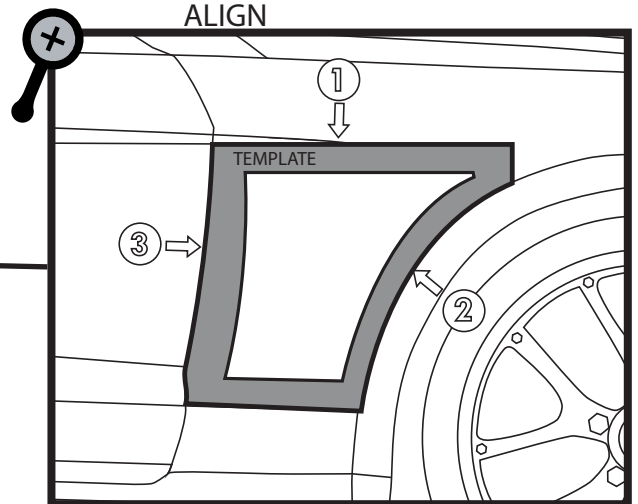
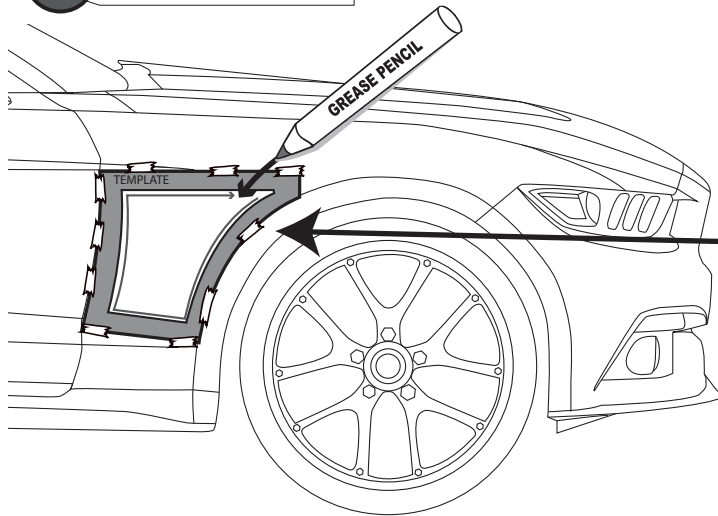
1 GRILL MOUNT

! INSTALL AFTER PAINTING

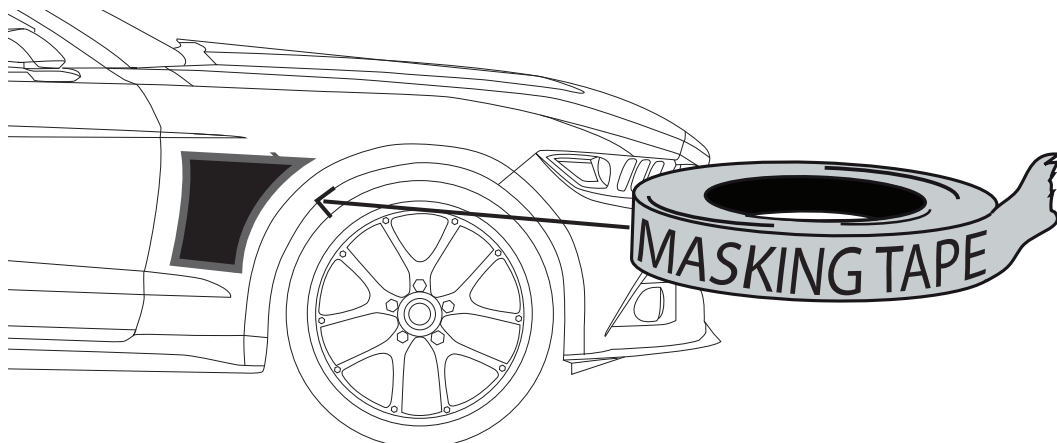
2 REMOVE



3 PLACE TEMPLATE



4 OUTLINE OUTER CONTOUR WITH MASKING TAPE

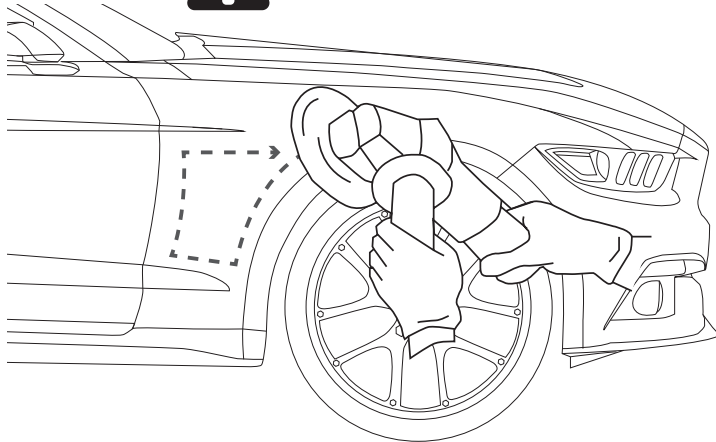




5 CUT

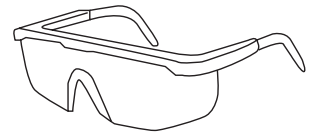


REMOVE FENDER WHEEL AND RUBBER FOAM INSERT

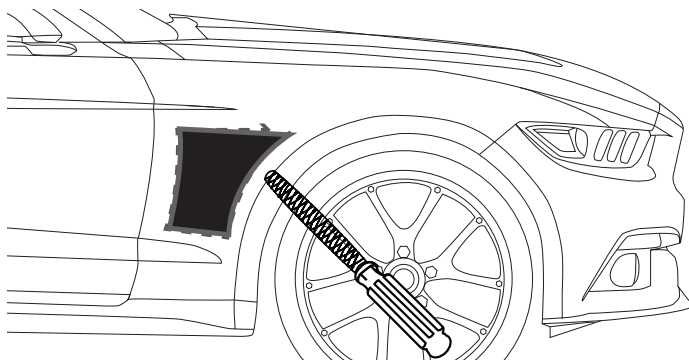


CAUTION

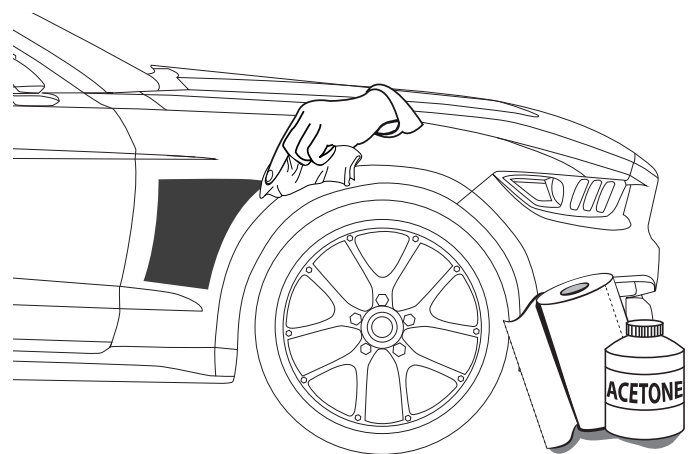
PERSONAL PROTECTIVE EQUIPMENT REQUIRED



6 FILE DOWN THE EDGE



7 CLEAN

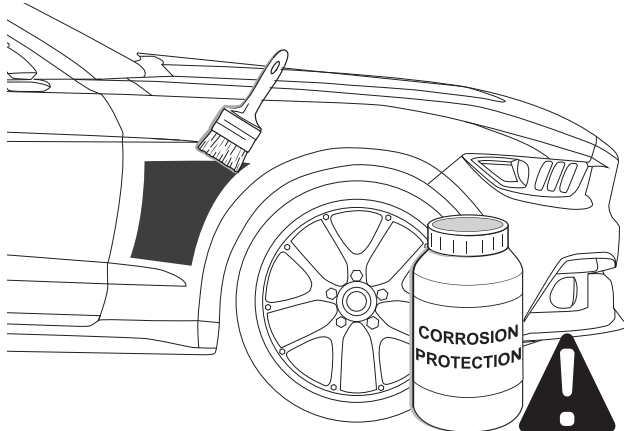


MAKE SURE FENDER VENT DON'T BIND WHEN CHECK FITTER, IF NECESSARY USE A FILE TO SMOOTH CORNERS AND EDGES UNTIL YOU HAVE CLEARANCE ALL AROUND.

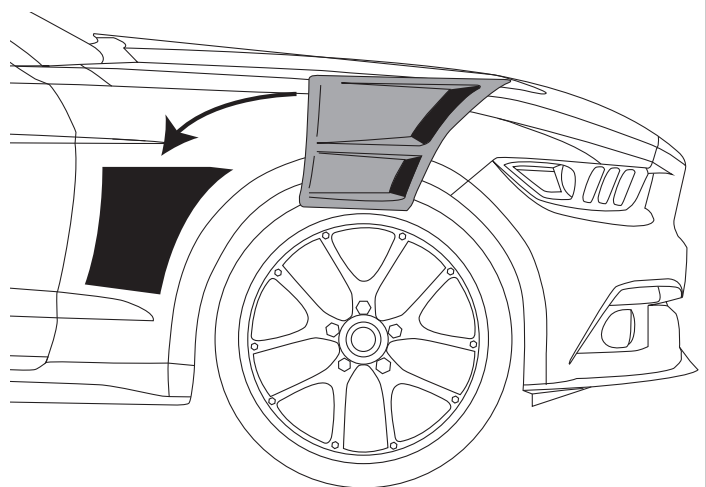
8 CORROSION PROTECTION



APPLY ON THE EDGE OF SHEET METAL



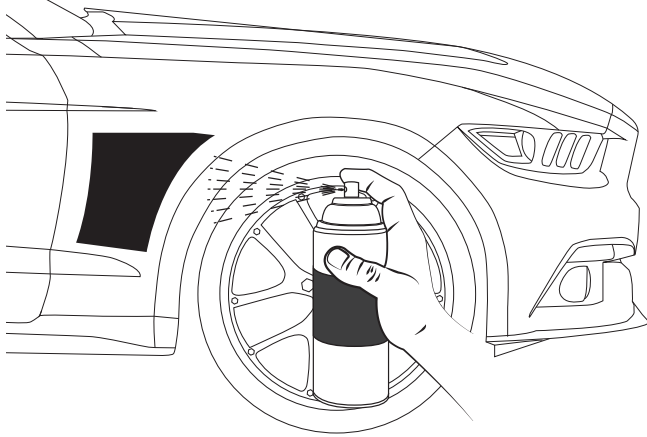
9 PRE-MOUNT



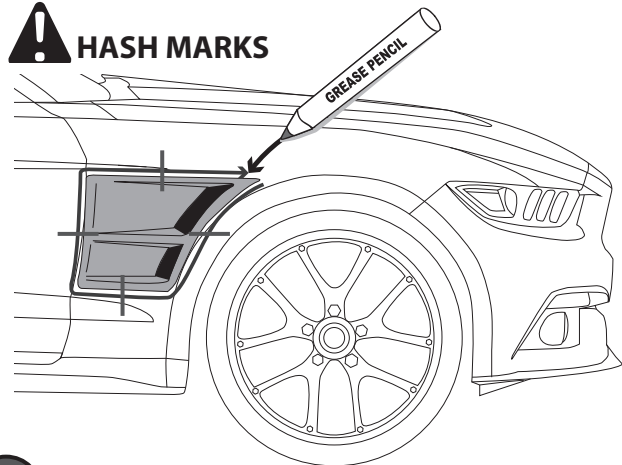


INSTALLATION MANUAL

10 PAINT INTERIOR WITH BLACK PAINT

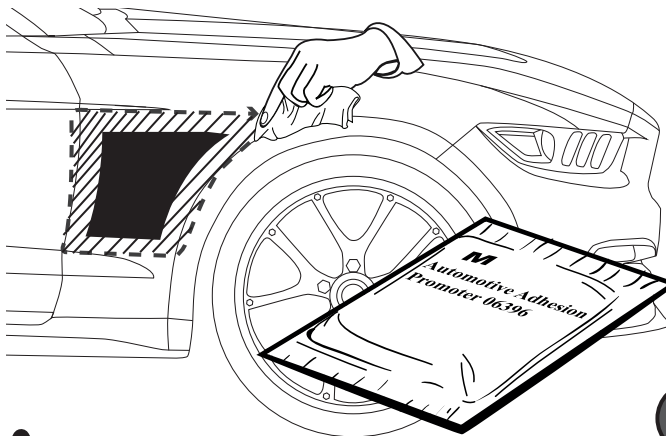


11 MARK DRAW CENTER HASH MARK WITH GREASE PENCIL ON FENDER VENT AND SHEET METAL, THIS WILL ENSURE FENDER VENT WILL BE CENTERED TO GREASE PENCIL OUTLINE.

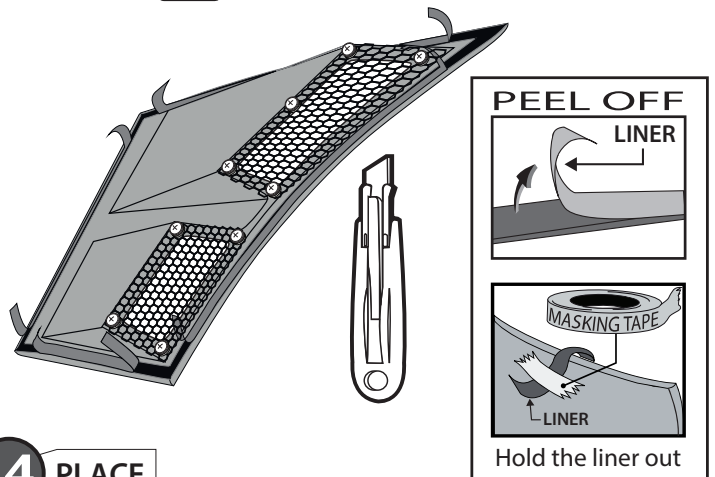


12 ADHESION PROMOTER

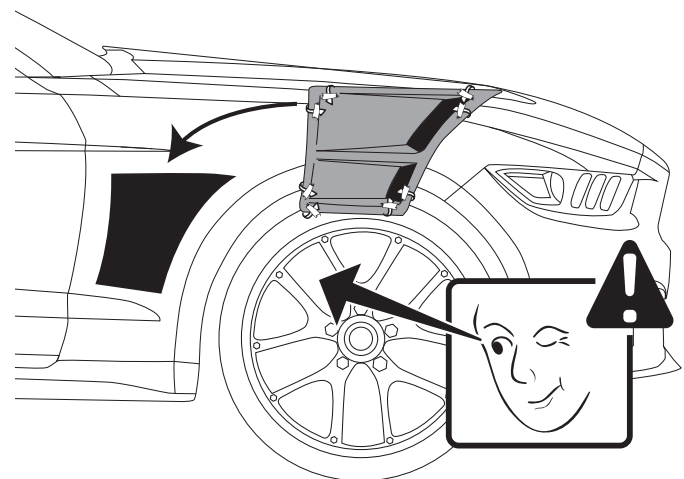
! FIRST CLEAN ALL OVER THE APPLICATION AREA WITH ACETONE



13 PEEL WARM SURFACES WITH HEAT GUN IF SURFACE TEMPERATURE IS TOO COLD.



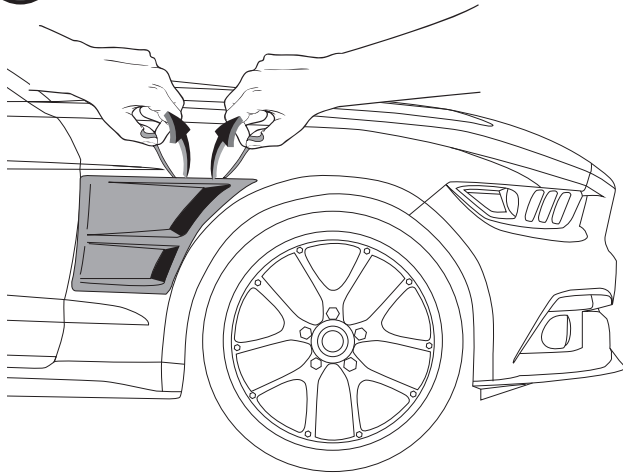
14 PLACE



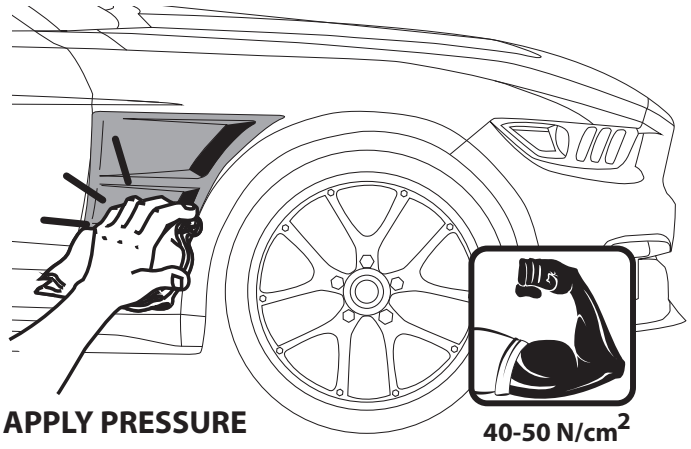
! A full surface contact between tape and substrate is decisive for good adhesion performance. Contact is achieved by applying pressure. In practice a pressure between 40 and 50 N/cm² is usually needed and an application temperature between 25 and 45 °C or 77 and 113 °F is also necessary. During application, add-on parts and tapes must have the similar temperature.



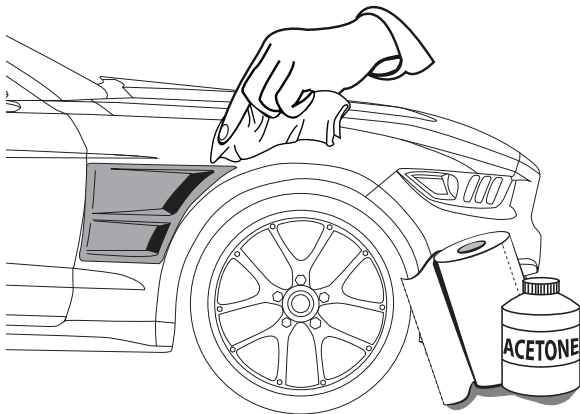
15 REMOVE LINER



16 PRESS



17 CLEAN OFF GREASE PENCIL MARK



INSTALLED PARTS

