



CID DESIGN

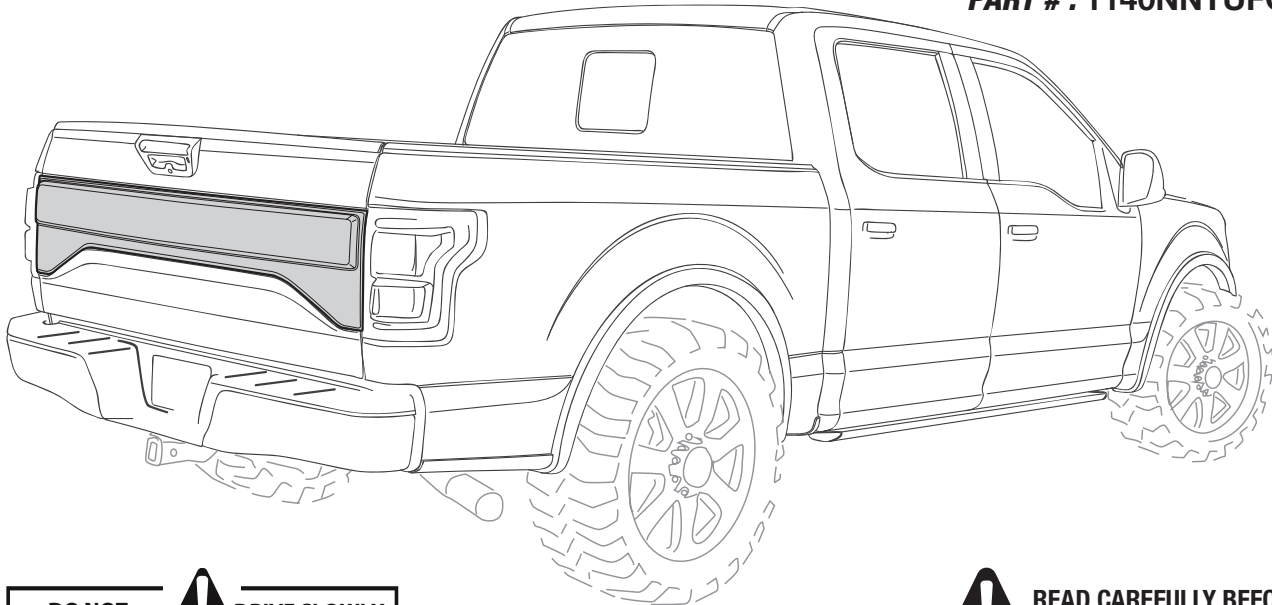
SUPER RIM
TRUCK ACCESSORIES POWERED BY AMERSON USA

FORD - F-150 2015

INSTALLATION MANUAL

TAILGATE APPLIQUE F-150 2015

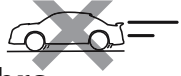
PART # : 1140NNTUFO20A032



**DO NOT
WASH CAR**



**DRIVE SLOWLY
25 mph max**



24 hrs



**READ CAREFULLY BEFORE
INSTALLATION**

We recommend 2 persons for installation



TOOLS



1/4"



CHECK LIST

*Already installed in the part

ITEM	DESCRIPTION	DRAWING	AMOUNT
A	* VHB TAPE		Included in the parts
B	GREASE PENCIL		1 pc
C	ADHESION PROMOTER		1 pc
D	ECO DOME		1 pc



CID DESIGN

SUPER RIM
TRUCK ACCESSORIES POWERED BY HANSON USA

FORD - F-150 2015

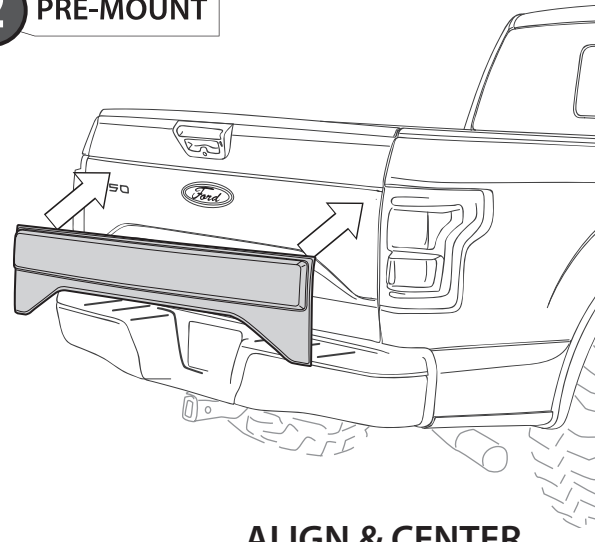
INSTALLATION MANUAL

1 CLEAN

! WASH WITH WATER, DETERGENT AND SOFT CLOTH OR SPONGE



2 PRE-MOUNT

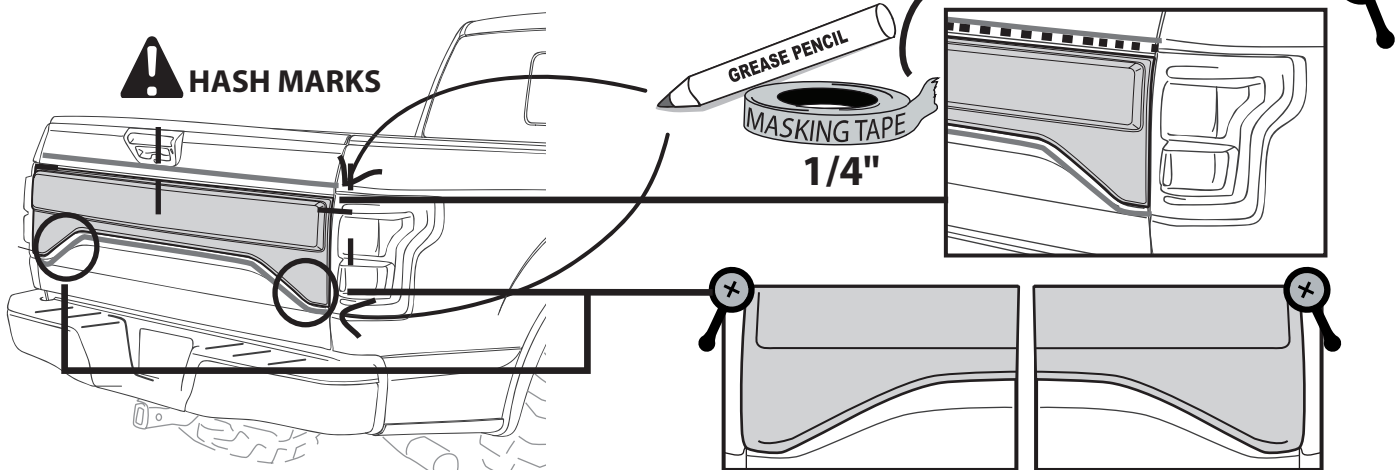


3 MARK

! HASH MARKS

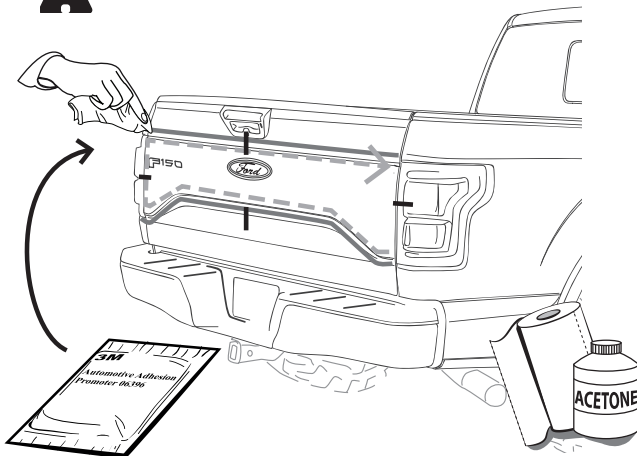
ALIGN & CENTER

ALIGN TOP WITH 1/4" MASKING TAPE



4 ADHESION PROMOTER

! FIRST CLEAN ALL OVER THE APPLICATION AREA WITH ACETONE



! A full surface contact between tape and substrate is decisive for good adhesion performance. Contact is achieved by applying pressure. In practice a pressure between 40 and 50 N/cm² is usually needed and an application temperature between 25 and 45 °C or 77 and 113 °F is also necessary. During application, add-on parts and tapes must have the similar temperature.



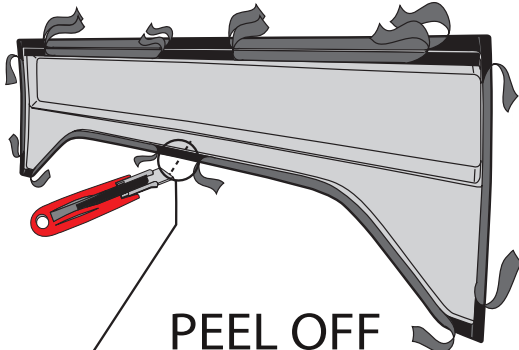
CID DESIGN

SUPER RIM
TRUCK ACCESSORIES POWERED BY KIMBERLY USA

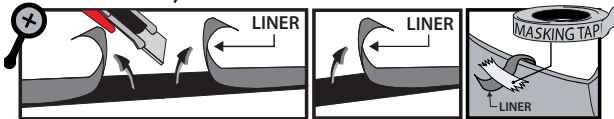
FORD - F-150 2015

INSTALLATION MANUAL

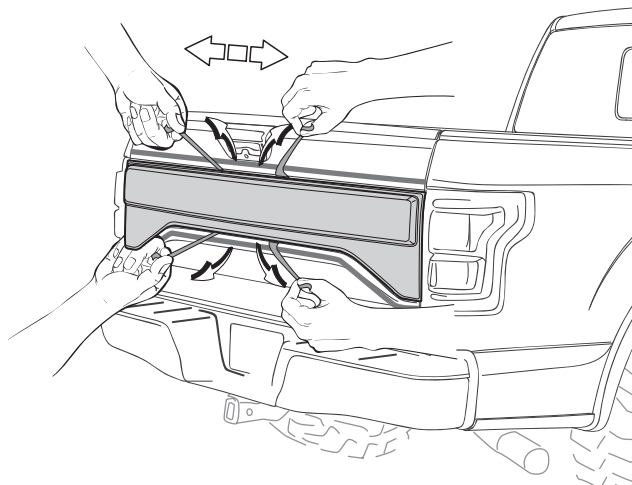
5 PEEL WARM SURFACES WITH HEAT GUN IF SURFACE TEMPERATURE IS TOO COLD.



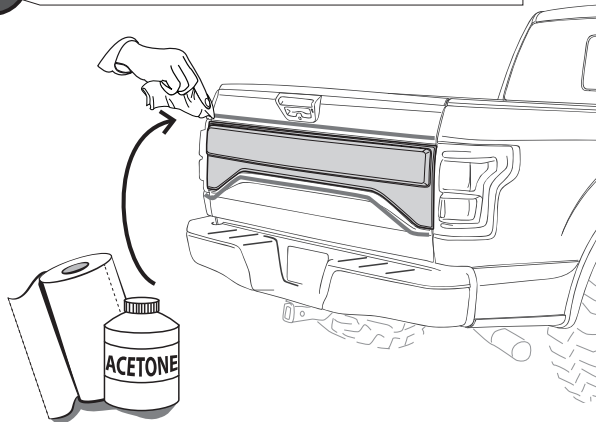
PEEL OFF
Hold the liner out



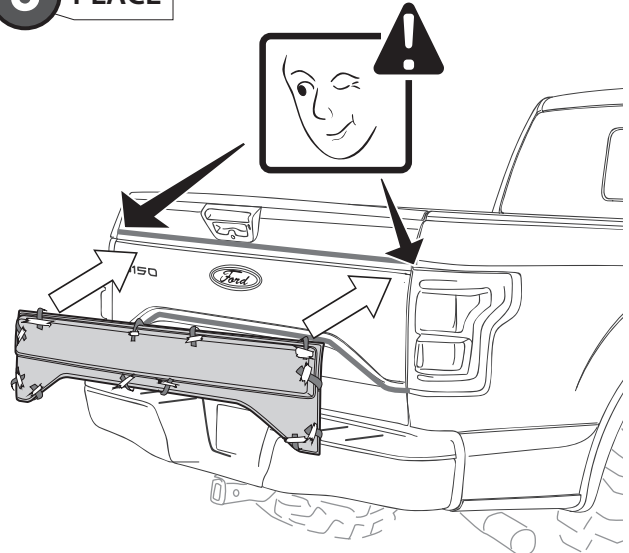
7 REMOVE LINER



9 CLEAN OFF GREASE PENCIL MARK

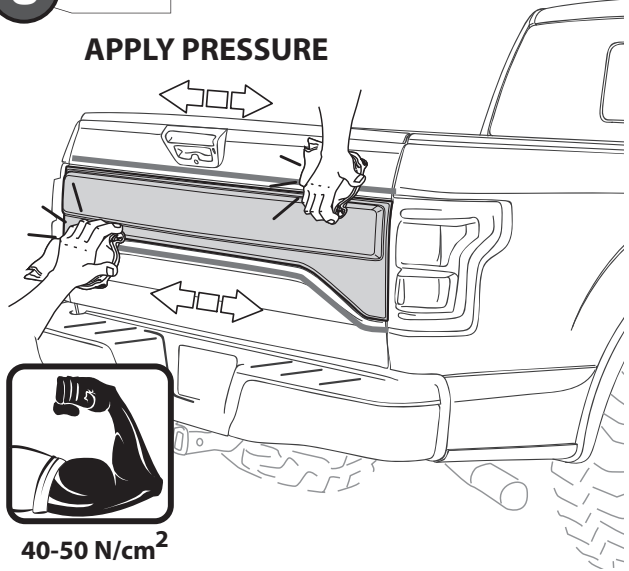


6 PLACE



8 PRESS

APPLY PRESSURE



40-50 N/cm²

INSTALLED PART

