



CID DESIGN

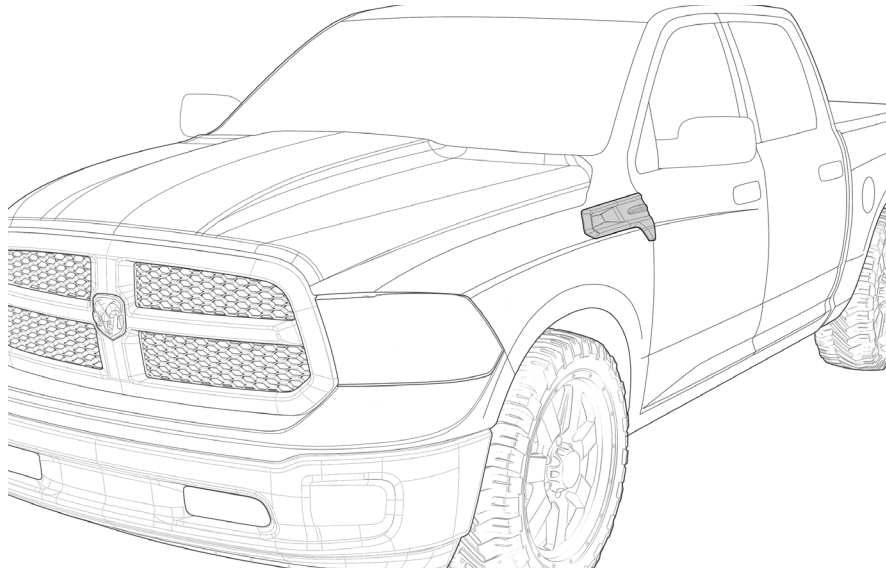
SUPER RIM
TRUCK ACCESSORIES POWERED BY AIRDESIGN USA

DODGE- RAM1500 2013+

INSTALLATION MANUAL

SPORT FENDER VENTS RAM 1500 2013+

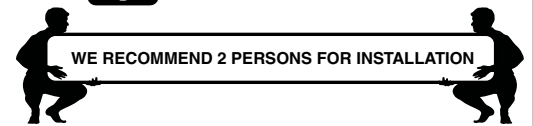
PART # : 1128FZZUCH06A19



DO NOT WASH CAR **DRIVE SLOWLY** 25 mph max

24 hrs

READ CAREFULLY BEFORE INSTALLATION



TOOLS

CHECK LIST

*Already installed in the part

ITEM	DESCRIPTION	DRAWING	AMOUNT
A	*VHB TAPE		Included in all parts
B	GREASE PENCIL		1 pc
C	AUTOMOTIVE ADHESION PROMOTER		1 pc
D	TEMPLATE		Included
E	*GRILL		2 pcs
F	TIN SCREW 5/32" X 3/8"		8 pcs
G	* WASHER 5/32		8 pcs
H	ECO DOME		1 pc



CID DESIGN

SUPER RIM
TRUCK ACCESSORIES POWERED BY AIRDESIGN USA

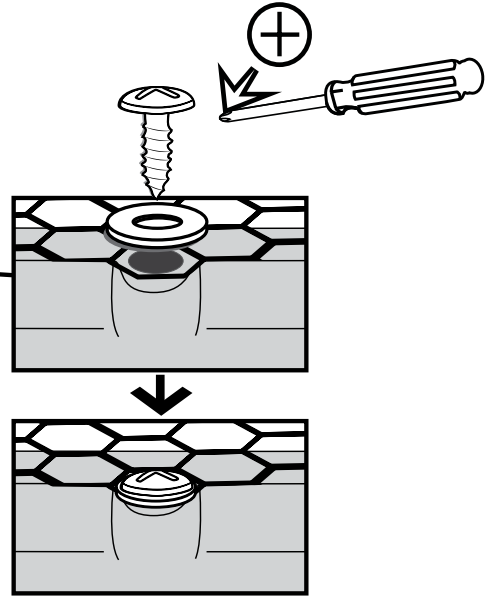
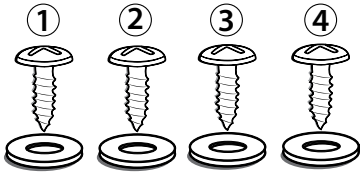
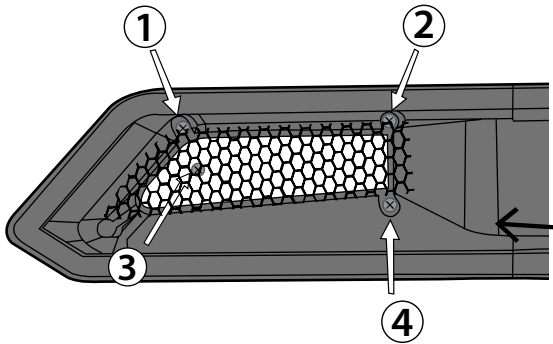
DODGE - RAM1500 2013+

INSTALLATION MANUAL

1 MOUNT GRILL

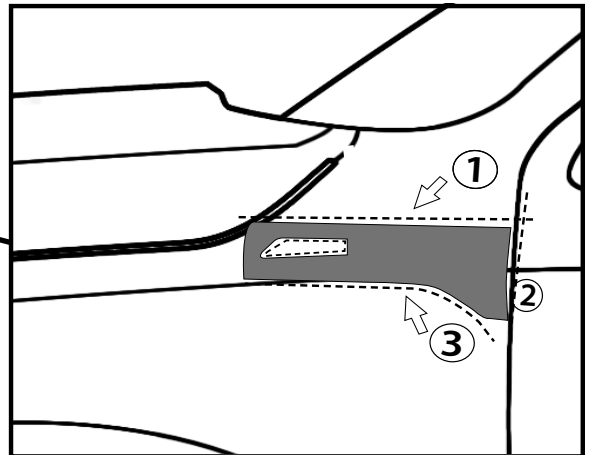
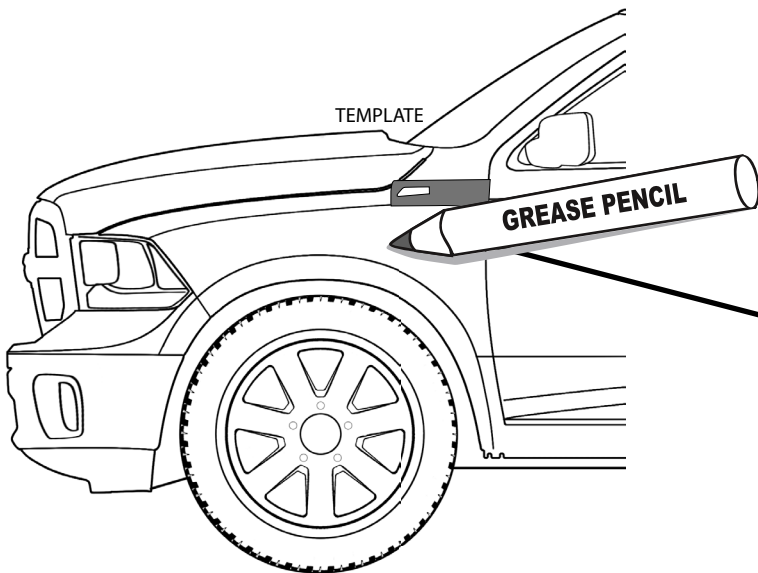


WASH WITH WATER, DETERGENT AND
SOFT CLOTH OR SPONGE



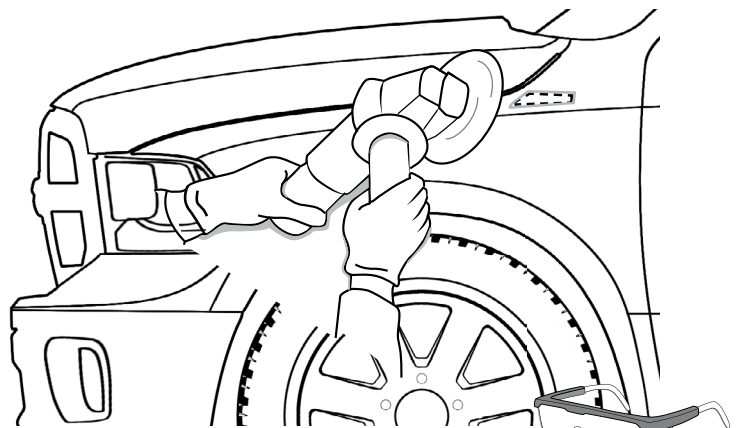
2 PLACE TEMPLATE

ALIGN

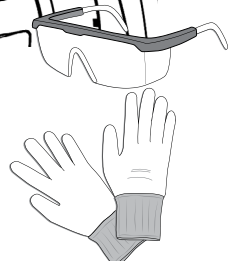


3 OUTLINE CONTOUR WITH MASKING TAPE

4 CUT



CAUTION
PERSONAL
PROTECTIVE EQUIPMENT
REQUIRED





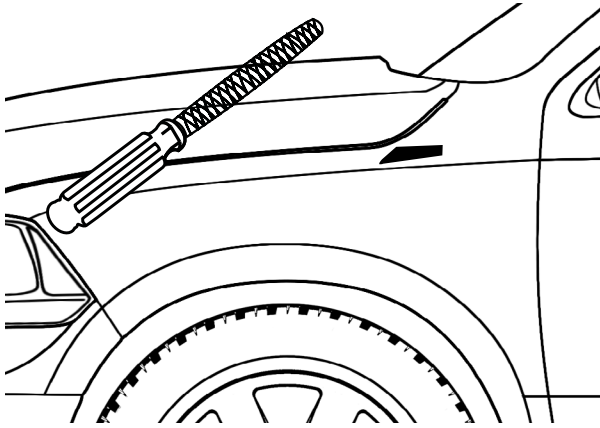
AIR DESIGN

SUPER RIM
TRUCK ACCESSORIES POWERED BY AIR DESIGN USA

DODGE- RAM1500 2013+

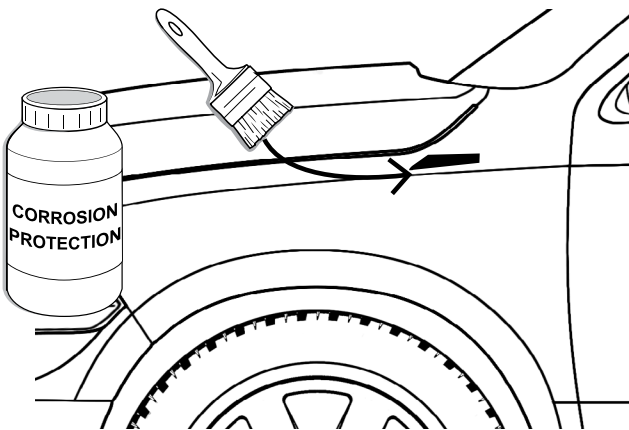
INSTALLATION MANUAL

5 FILE EDGE



MAKE SURE FENDER VENT DON'T BIND WHEN CHECK FITTER, IF NECESSARY USE A FILE TO SMOOTH CORNERS AND EDGES UNTIL YOU HAVE CLEARANCE ALL AROUND.

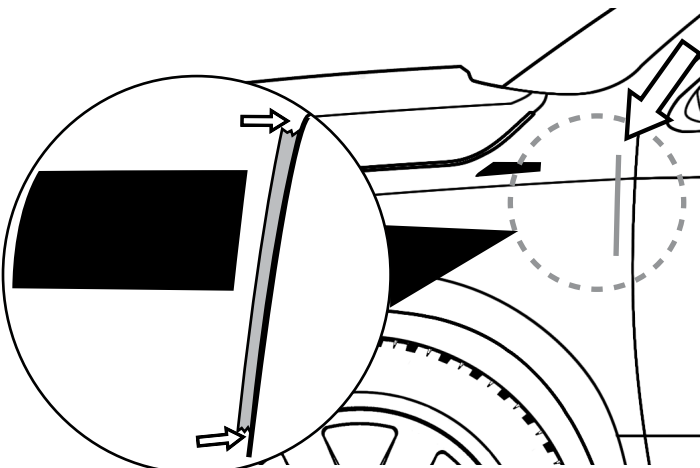
7 CORROSION PROTECTION



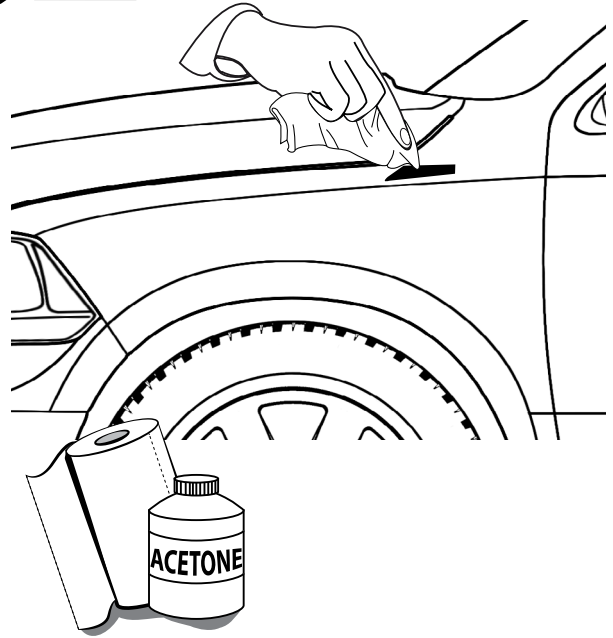
! APPLY ON THE EDGE OF SHEET METAL

9 ALIGN

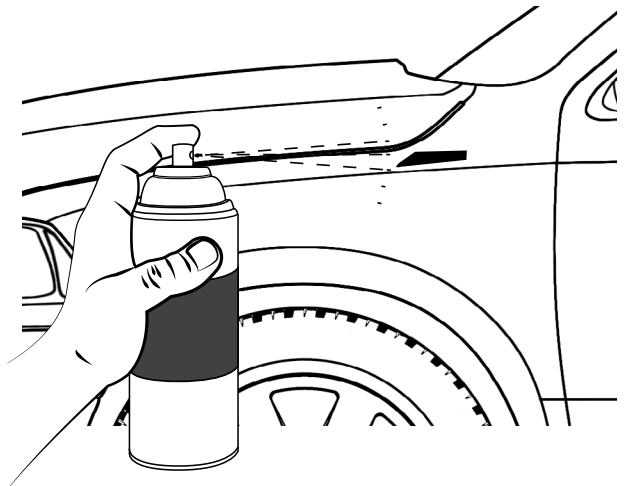
! PLACE 1/8" TAPE TO THE EDGE OF THE FENDER



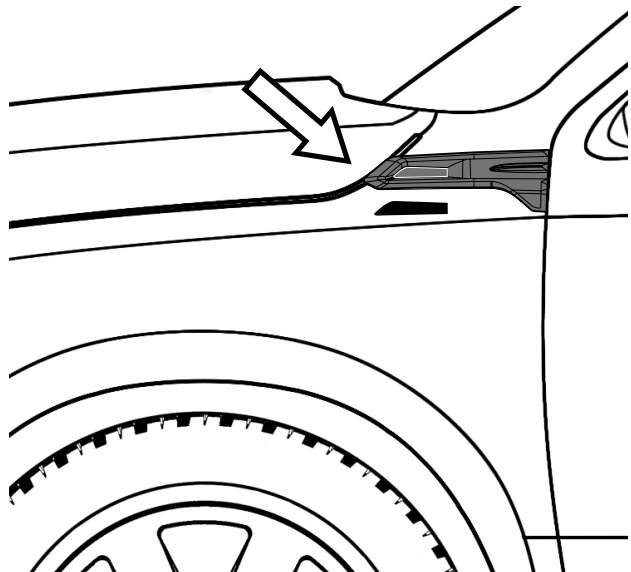
6 CLEAN



8 PAINT INTERIOR WITH BLACK PAINT



10 PRE-MOUNT





CID DESIGN

SUPER RIM
TRUCK ACCESSORIES POWERED BY AIRBORNE USA

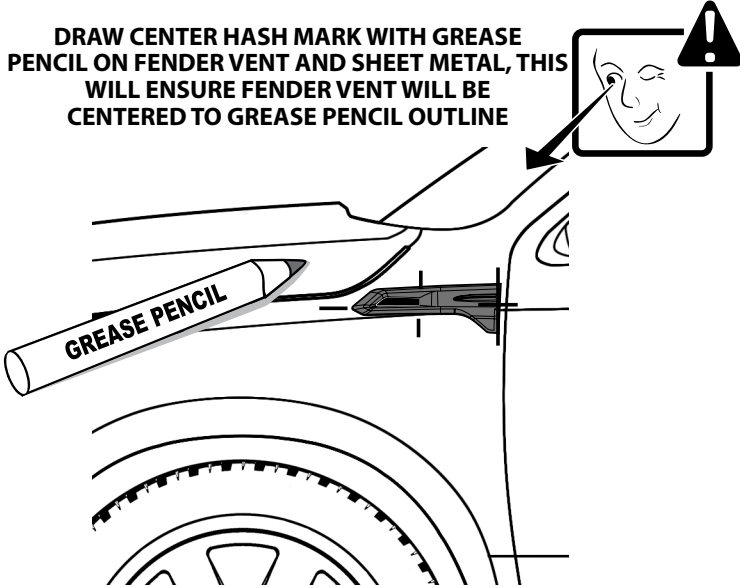
DODGE - RAM1500 2013+

INSTALLATION MANUAL

11 MARK

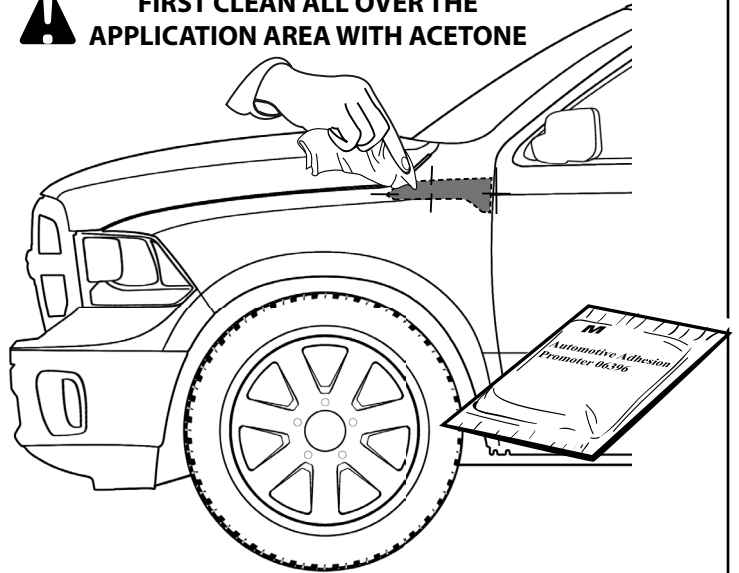
! HASH MARKS

DRAW CENTER HASH MARK WITH GREASE PENCIL ON FENDER VENT AND SHEET METAL, THIS WILL ENSURE FENDER VENT WILL BE CENTERED TO GREASE PENCIL OUTLINE



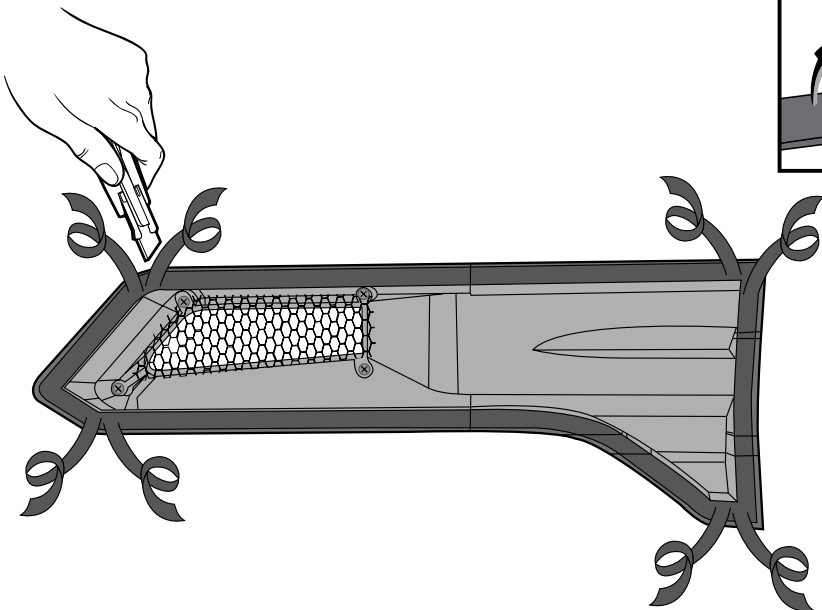
12 ADHESION PROMOTER

! FIRST CLEAN ALL OVER THE APPLICATION AREA WITH ACETONE

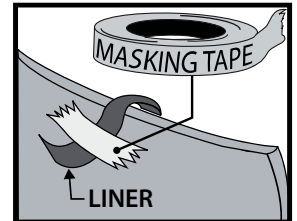
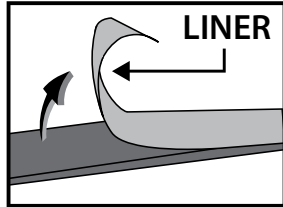


13 PEEL

! WARM SURFACES WITH HEAT GUN IF SURFACE TEMPERATURE IS TOO COLD.



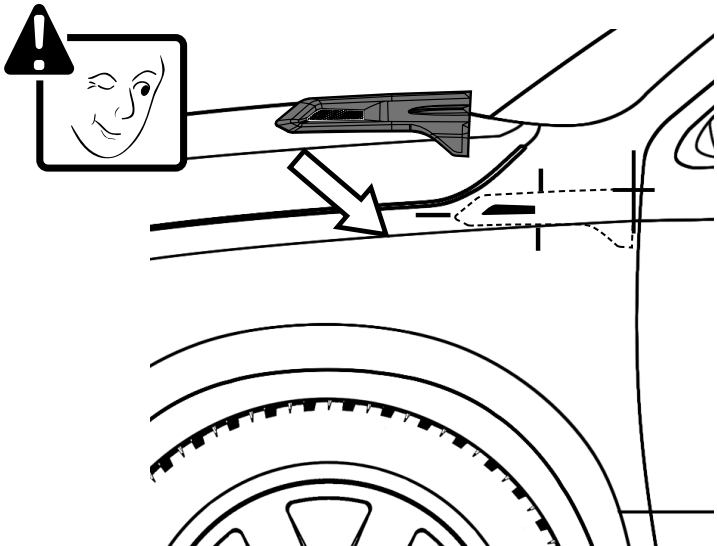
PEEL OFF



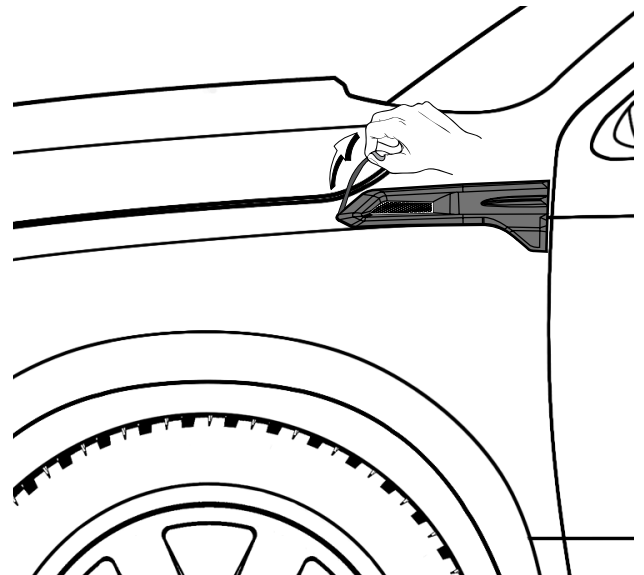
Hold the liner out

! A full surface contact between tape and substrate is important for good adhesion performance. Contact is achieved by applying pressure. In practice a pressure between 40 and 50 N/cm² is usually needed and an application temperature at or above 16 °C or 60 °F is also necessary. During application, add-on parts and tapes must have the similar temperature.

14 PLACE



15 REMOVE LINER





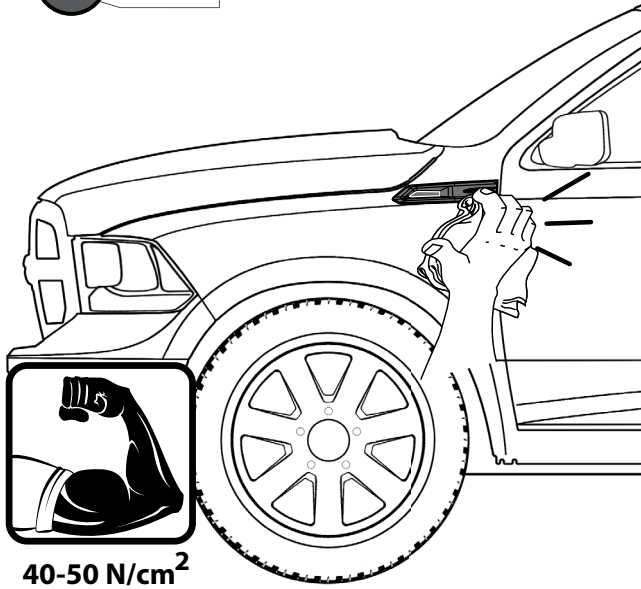
AIR DESIGN

SUPER RIM
TRUCK ACCESSORIES POWERED BY AIR DESIGN USA

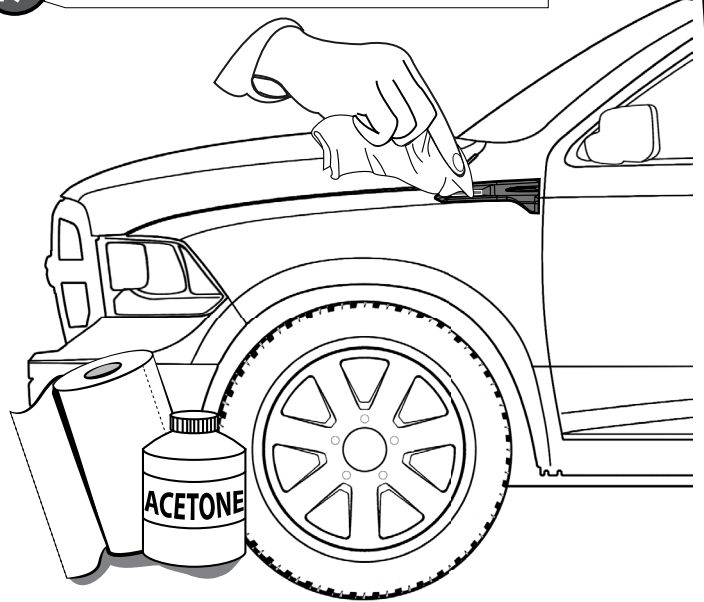
DODGE- RAM1500 2013+

INSTALLATION MANUAL

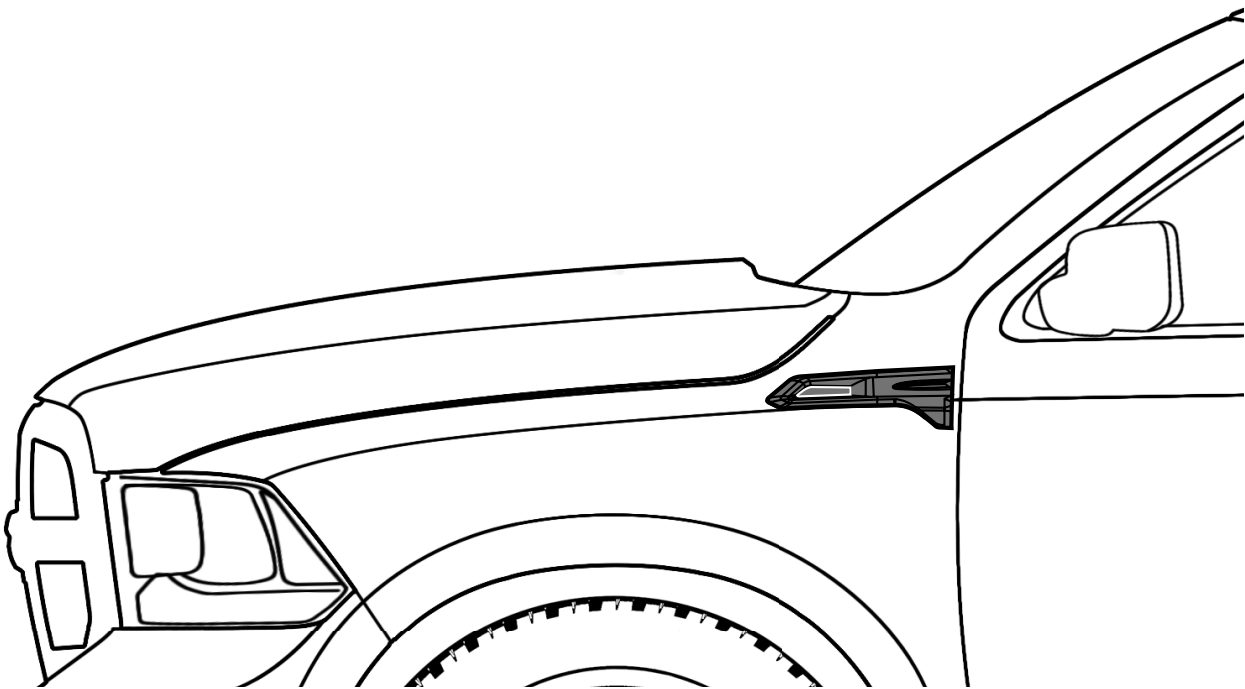
16 PRESS



17 CLEAN OFF GREASE PENCIL MARK

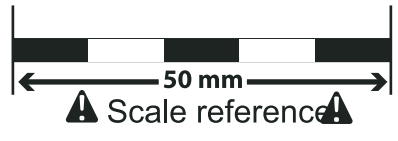
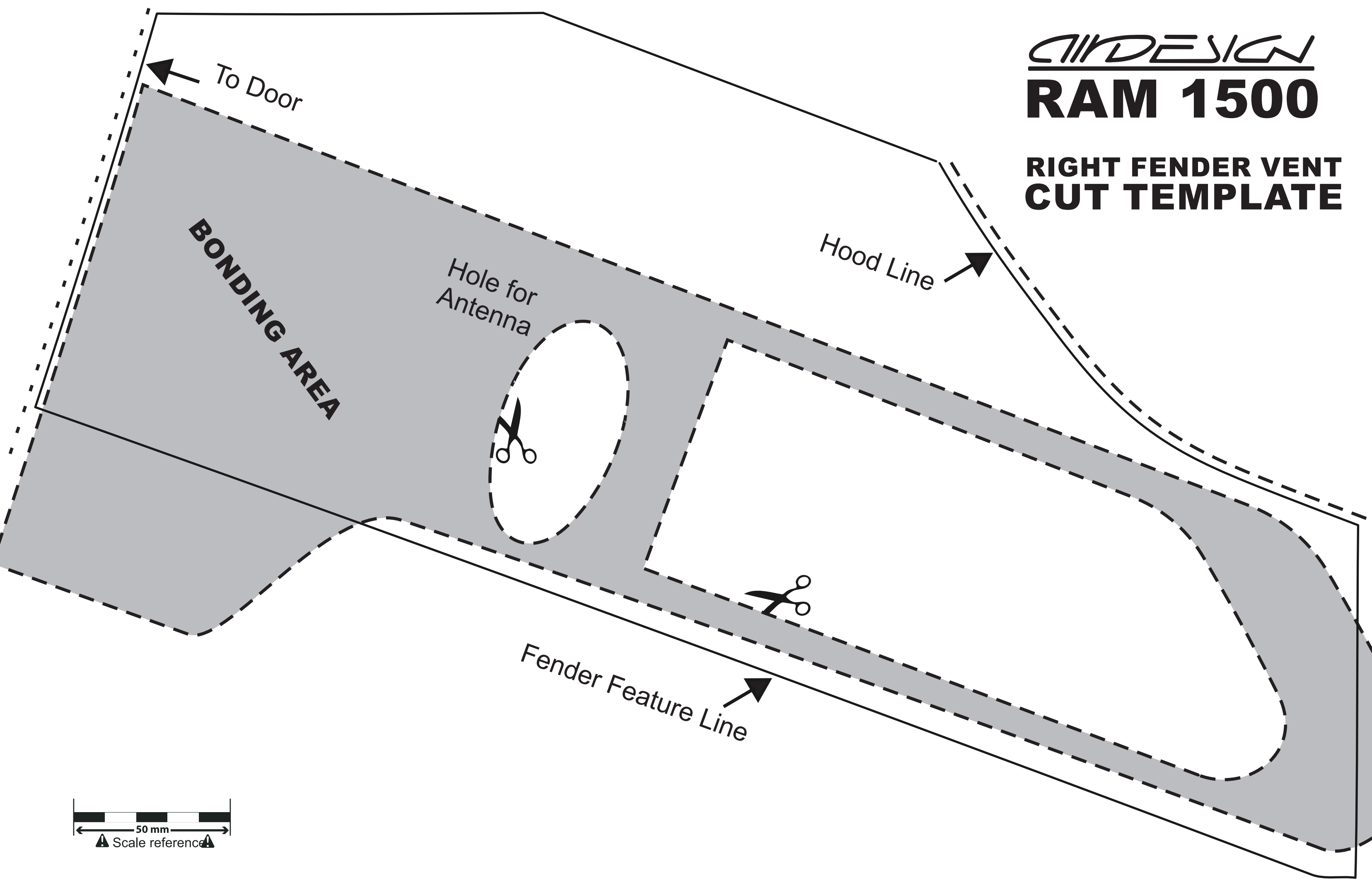


INSTALLED PARTS



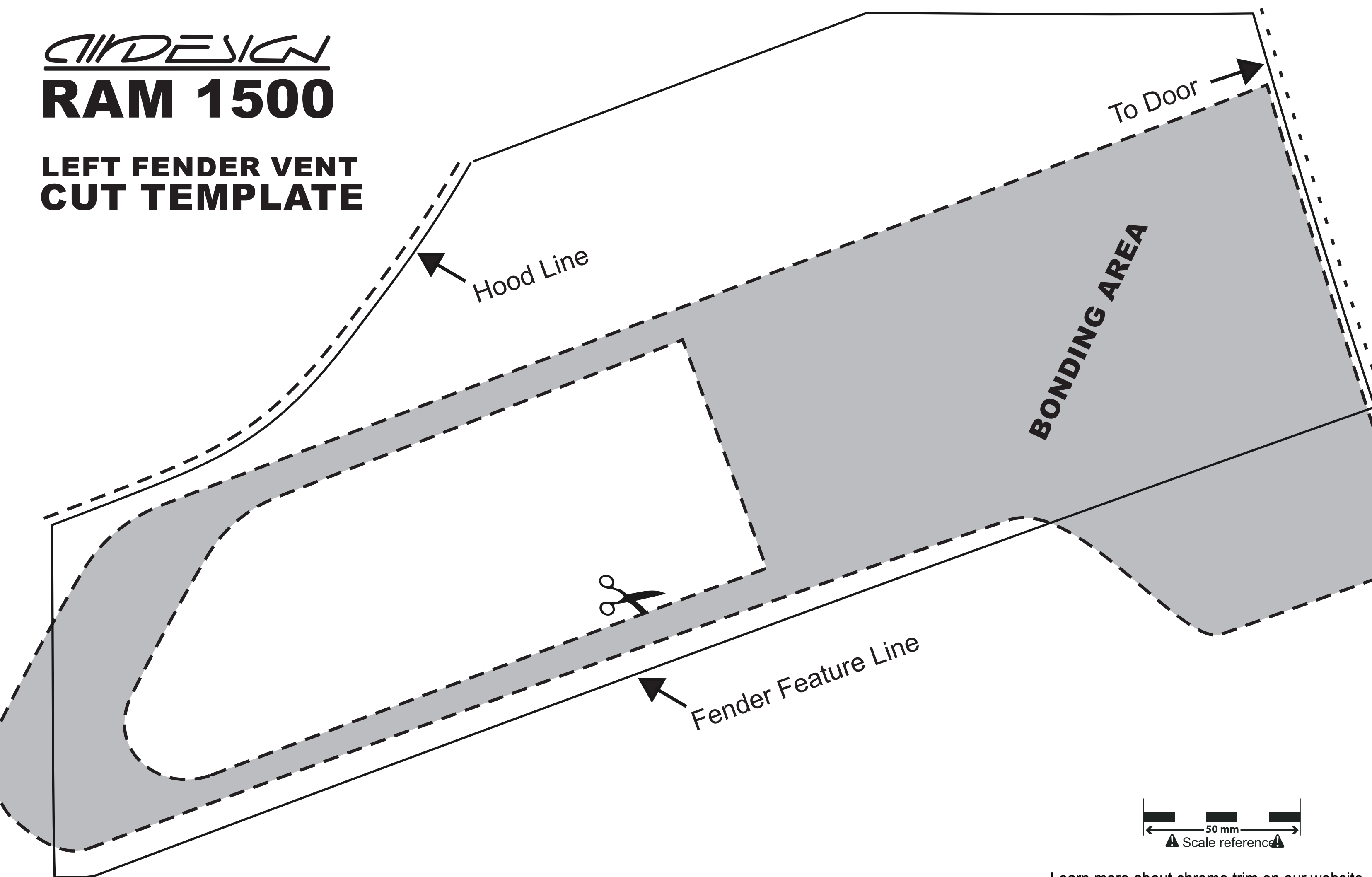
CIVILDESIGN
RAM 1500

**RIGHT FENDER VENT
CUT TEMPLATE**



CLIP DESIGN
RAM 1500

**LEFT FENDER VENT
CUT TEMPLATE**



Hood Line

BONDING AREA

To Door



Fender Feature Line

