



AID DESIGN

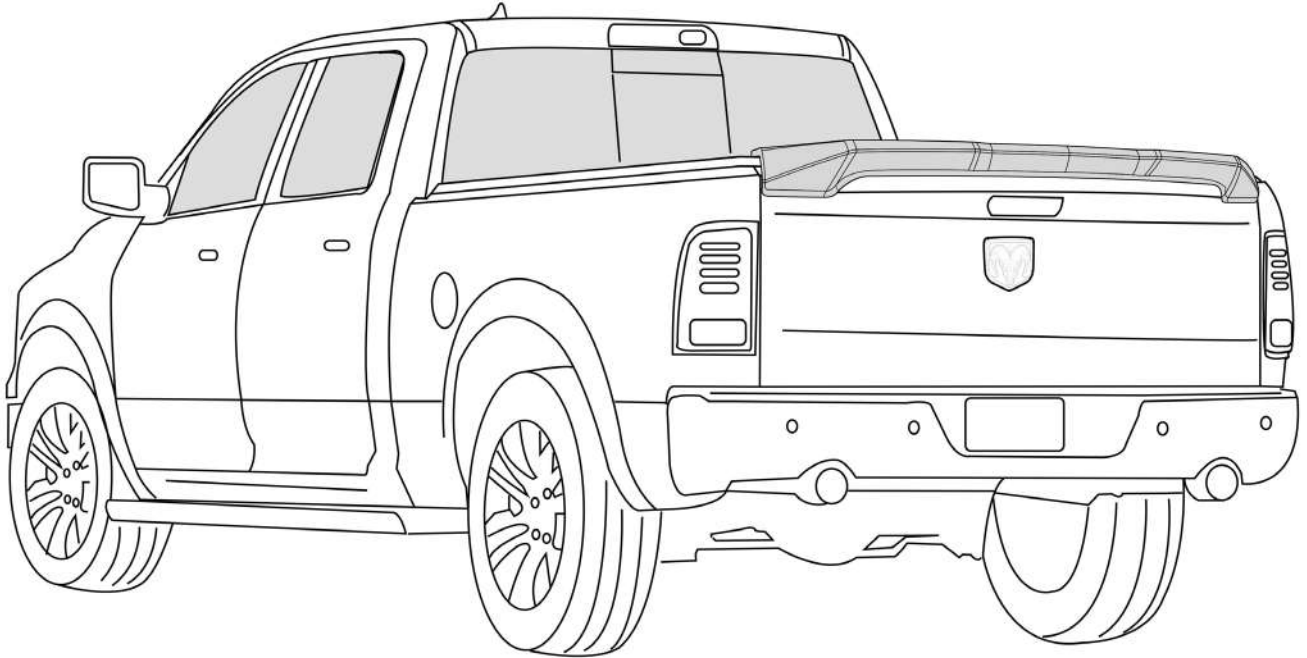
SUPER RIM
TRUCK ACCESSORIES POWERED BY AID DESIGN USA


DODGE- RAM1500 2013+


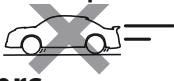
INSTALLATION MANUAL

TAILGATE WING SPOILER DODGE RAM1500 2013+

PART # : 1102DNTUCH06A16




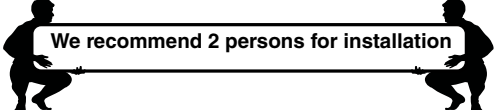
DO NOT WASH CAR  **DRIVE SLOWLY 25 mph max**

24 hrs

READ CAREFULLY BEFORE INSTALLATION

 **We recommend 2 persons for installation**







TOOLS



CHECK LIST

*Already installed in the part

ITEM	DESCRIPTION	DRAWING	AMOUNT
A	* VHB TAPE		Included in the parts
B	GREASE PENCIL		1 pc
C	ADHESION PROMOTER		1 pc
D	ECO DOME		1 pc




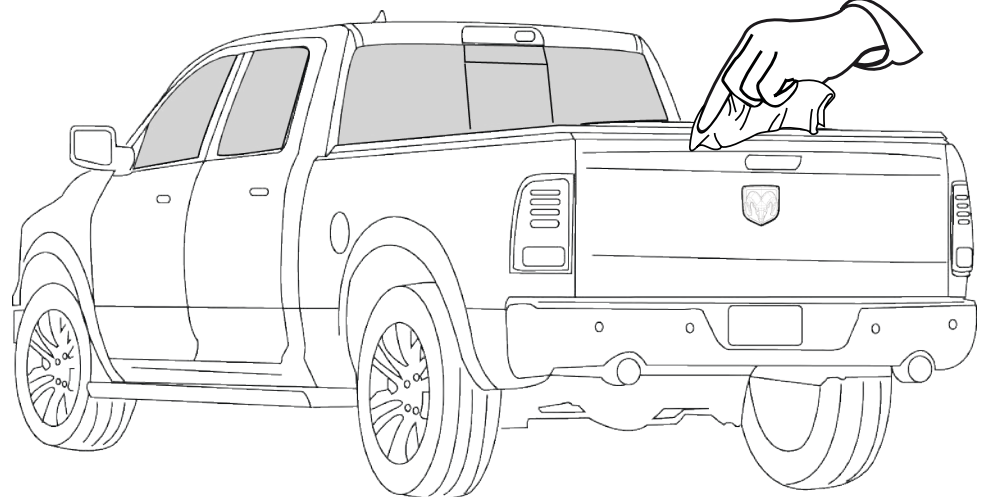
CID DESIGN

SUPER RIM
TRUCK ACCESSORIES POWERED BY AIRBORNE USA

DODGE - RAM1500 2013+

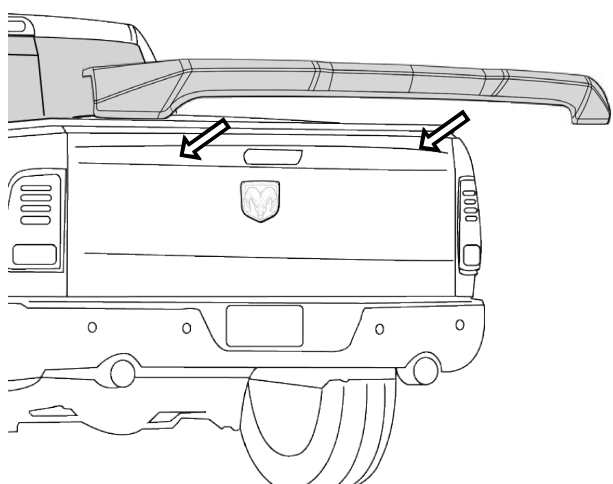
INSTALLATION MANUAL

1 CLEAN  **WASH WITH WATER, DETERGENT AND SOFT CLOTH OR SPONGE**



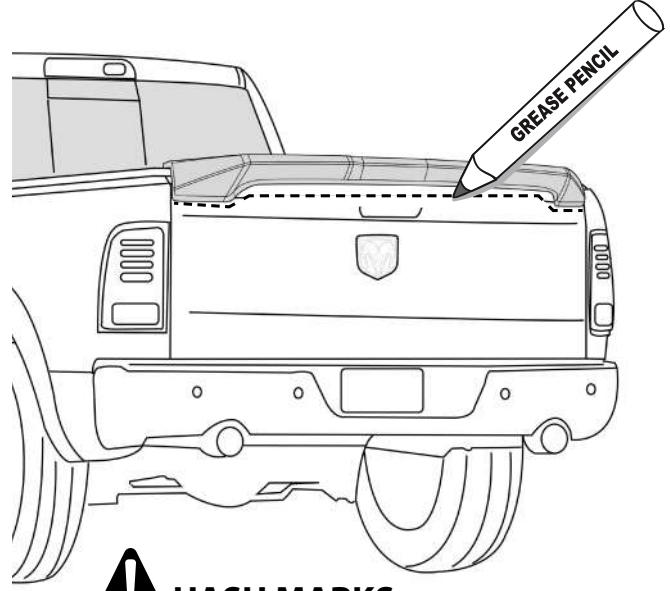
 **MAKE SURE THE TAILGATE PLASTIC CAP HAS NO GREASE OR RINSE AID**

2 PRE-MOUNT



 **ENSURE SPOILER IS CENTERED AND SITS PROPERLY ON THE VEHICLE**

3 MARK

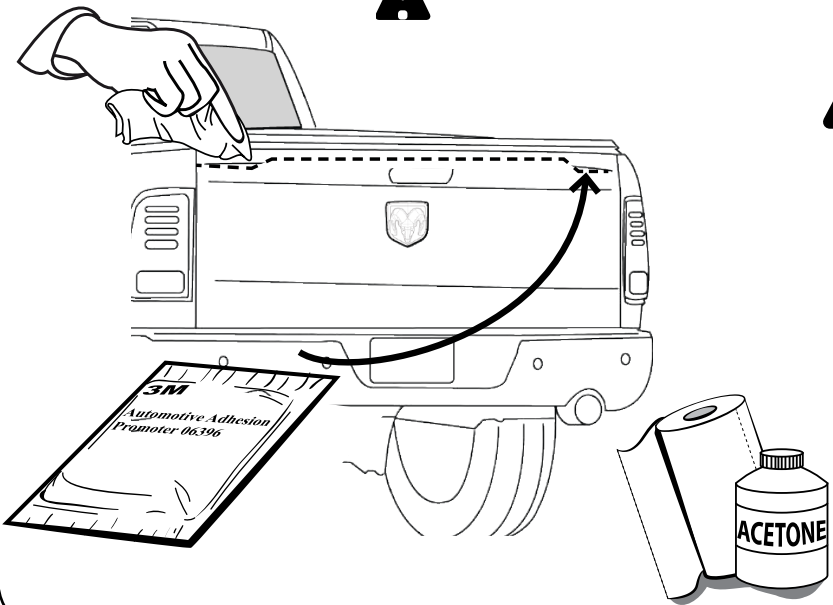



 **HASH MARKS**

DRAW CENTER HASH MARK WITH GREASE PENCIL ON SPOILER AND SHEET METAL, THIS WILL ENSURE SPOILER WILL BE CENTERED TO GREASE PENCIL OUTLINE.

4 ADHESION PROMOTER

 **FIRST CLEAN ALL OVER THE APPLICATION AREA WITH ACETONE**



 **A full surface contact between tape and substrate is decisive for good adhesion performance. Contact is achieved by applying pressure. In practice a pressure between 40 and 50 N/cm² is usually needed and an application temperature between 25 and 45 °C or 77 and 113 °F is also necessary. During application, add-on parts and tapes must have the similar temperature.**



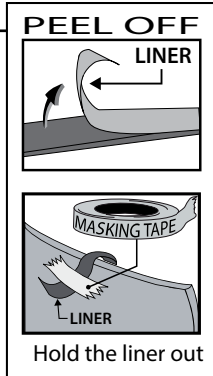
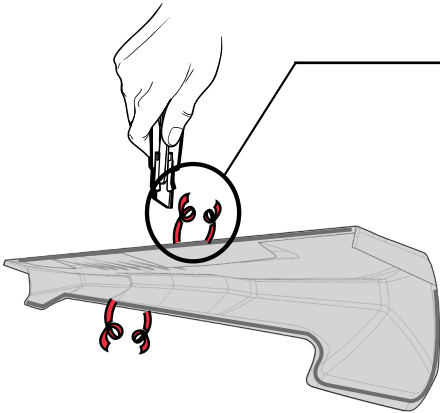
AIRDESIGN

SUPER RIM
TRUCK ACCESSORIES POWERED BY AIRDESIGN USA

DODGE- RAM1500 2013+

INSTALLATION MANUAL

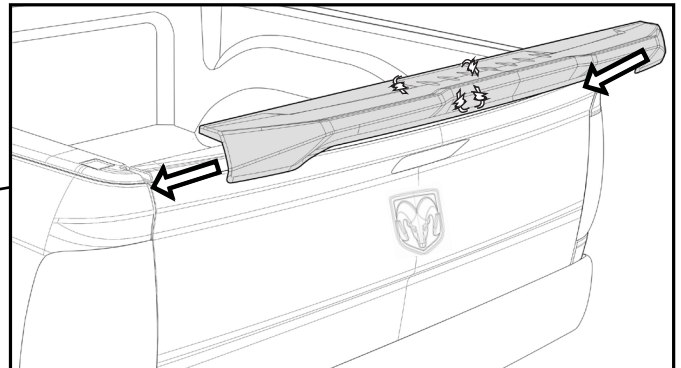
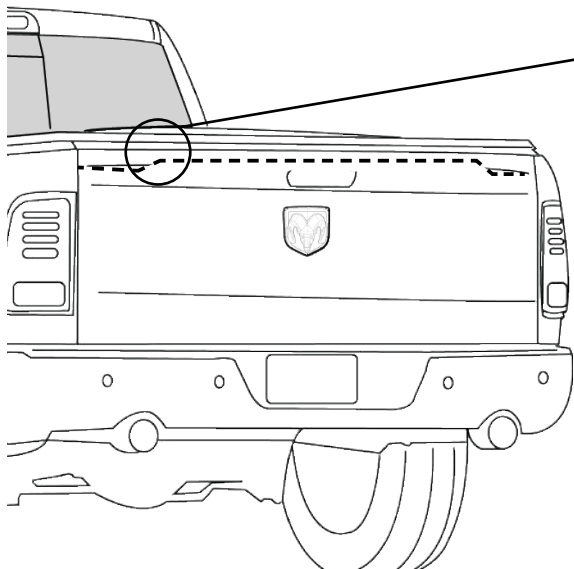
5 PEEL



! A full surface contact between tape and substrate is decisive for good adhesion performance. Contact is achieved by applying pressure. In practice a pressure between 40 and 50 N/cm² is usually needed and an application temperature between 25 and 45 °C or 77 and 113 °F is also necessary. During application, add-on parts and tapes must have the similar temperature.

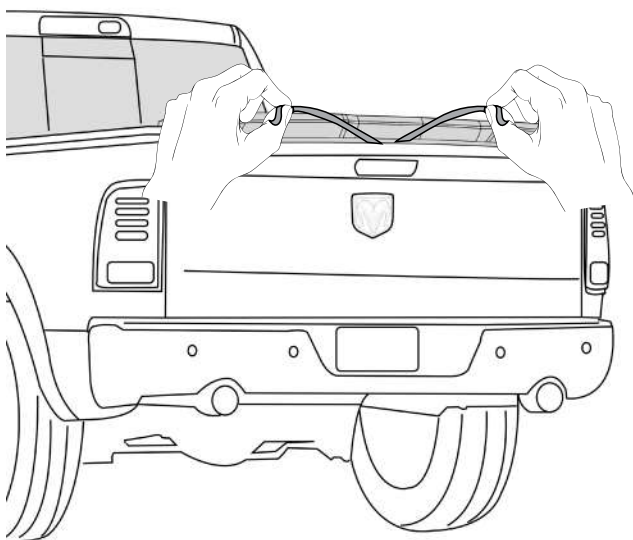
! WARM SURFACES WITH HEAT GUN IF SURFACE TEMPERATURE IS TOO COLD.

6 PLACE



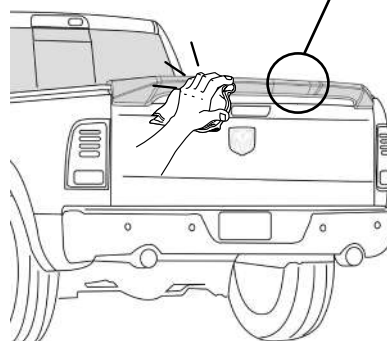
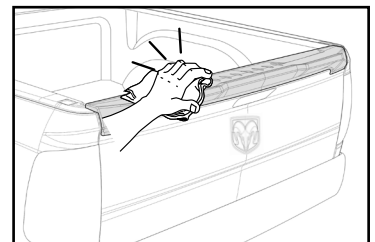
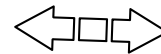
! GUIDED BY GREASE PENCIL MARKS

7 REMOVE LINER



8 PRESS

APPLY PRESSURE





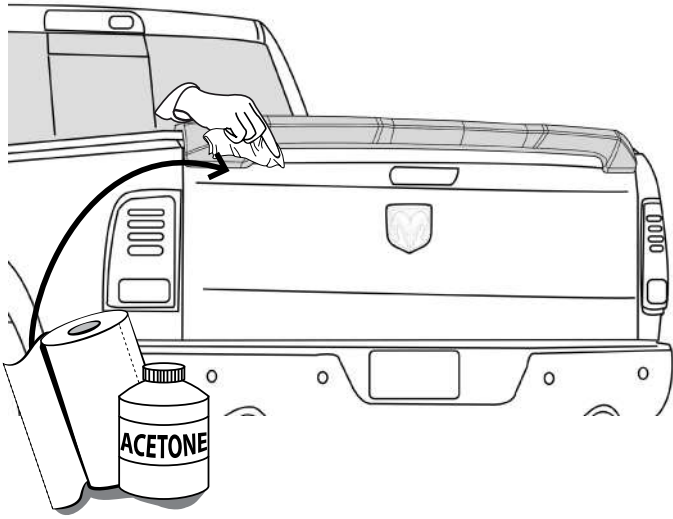
CID DESIGN

SUPER RIM
TRUCK ACCESSORIES POWERED BY AMERSON USA

DODGE - RAM1500 2013+

INSTALLATION MANUAL

9 CLEAN OFF GREASE PENCIL MARK



INSTALLED PART

