



**AIRDESIGN**

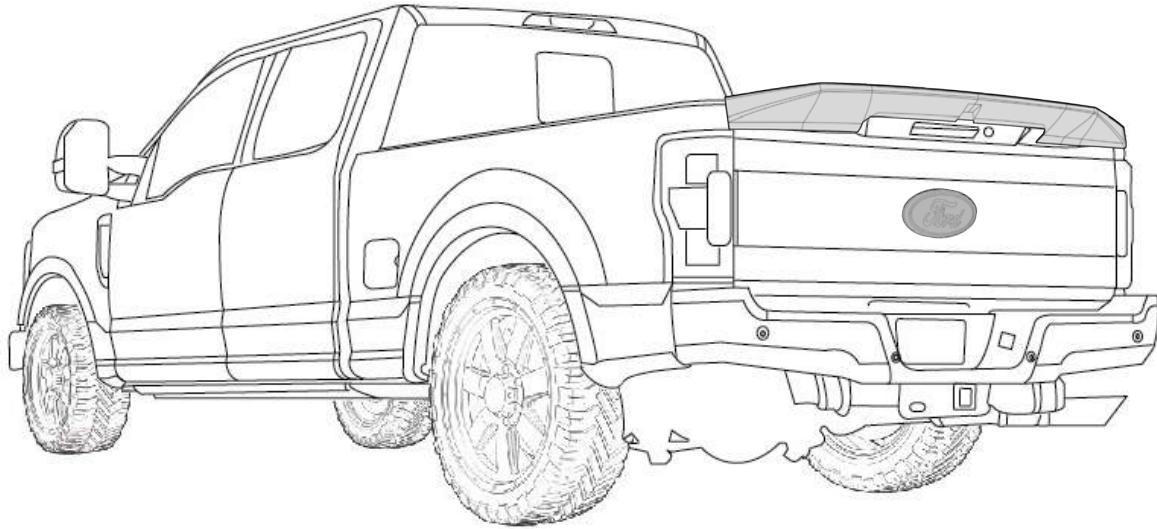
**SUPER RIM**  
TRUCK ACCESSORIES POWERED BY AIRDESIGN USA

# FORD- F250 2017


## INSTALLATION MANUAL


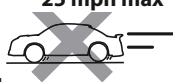
### TAILGATE WING SPOILER F250 2017


PART # : 1102DNTUF023A11

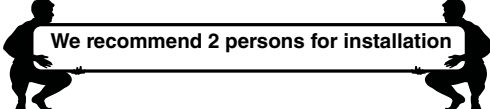


#### AFTER INSTALLATION

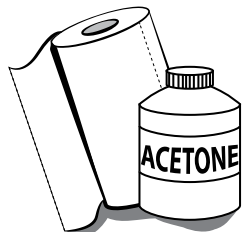
**DO NOT WASH CAR**  **24 hrs**

 **DRIVE SLOWLY**  
25 mph max 

 **READ CAREFULLY BEFORE INSTALLATION**

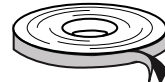



 We recommend 2 persons for installation

### TOOLS



### CHECK LIST

\*Already installed in the part

ITEM	DESCRIPTION	DRAWING	AMOUNT
A	* VHB TAPE		Included in the parts
B	GREASE PENCIL		1 pc
C	ADHESION PROMOTER		1 pc
D	ECO DOME		1 pc



CID DESIGN

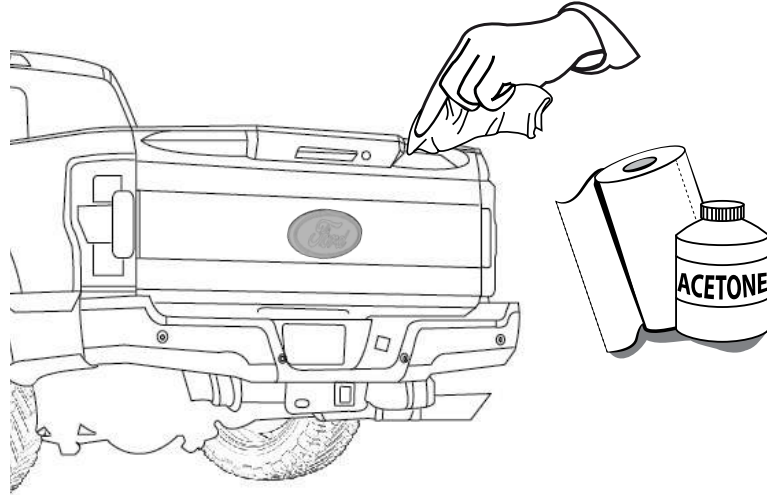
**SUPER RIM**  
TRUCK ACCESSORIES POWERED BY AIRBORNE USA

# FORD- F250 2017

## INSTALLATION MANUAL

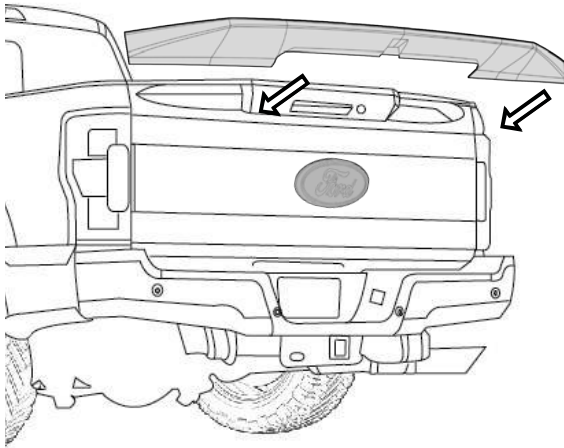
### 1 CLEAN

**!** WASH WITH WATER, DETERGENT AND SOFT CLOTH OR SPONGE

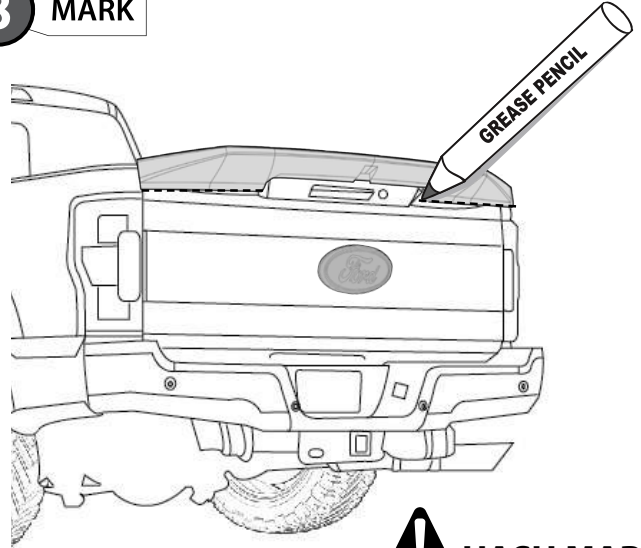


**!** MAKE SURE THE TAILGATE PLASTIC CAP HAS NO GREASE OR RINSE AID

### 2 PRE-MOUNT



### 3 MARK



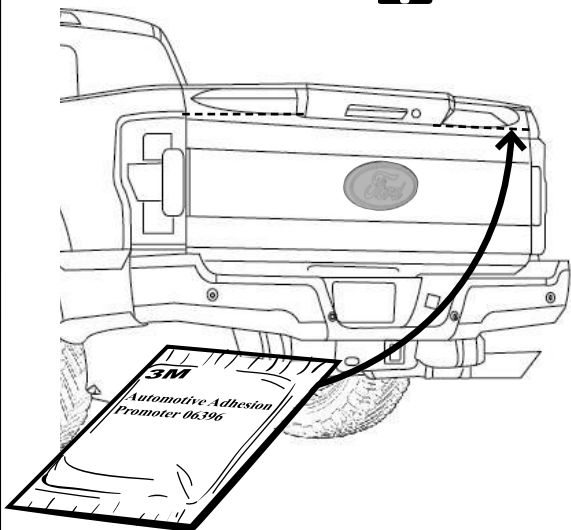
**!** HASH MARKS

**!** ENSURE SPOILER IS CENTERED AND SITS PROPERLY ON THE VEHICLE

DRAW CENTER HASH MARK WITH GREASE PENCIL ON SPOILER AND SHEET METAL, THIS WILL ENSURE SPOILER WILL BE CENTERED TO GREASE PENCIL OUTLINE.

### 4 ADHESION PROMOTER

**!** FIRST CLEAN ALL OVER THE APPLICATION AREA WITH ACETONE



**!** A full surface contact between tape and substrate is decisive for good adhesion performance. Contact is achieved by applying pressure. In practice a pressure between 40 and 50 N/cm<sup>2</sup> is usually needed and an application temperature between 25 and 45 °C or 77 and 113 °F is also necessary. During application, add-on parts and tapes must have the similar temperature.



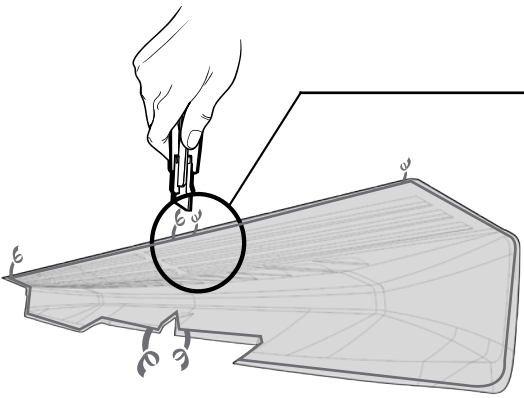
AIRDESIGN

**SUPER RIM**  
TRUCK ACCESSORIES POWERED BY AIRDESIGN USA

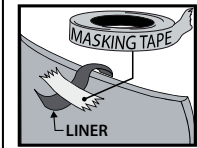
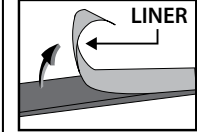
# FORD- F250 2017

## INSTALLATION MANUAL

### 5 PEEL



#### PEEL OFF



Hold the liner out

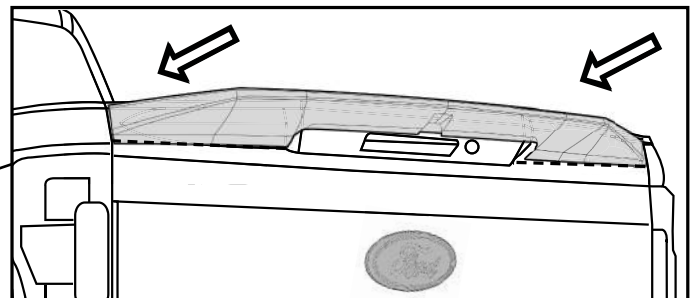
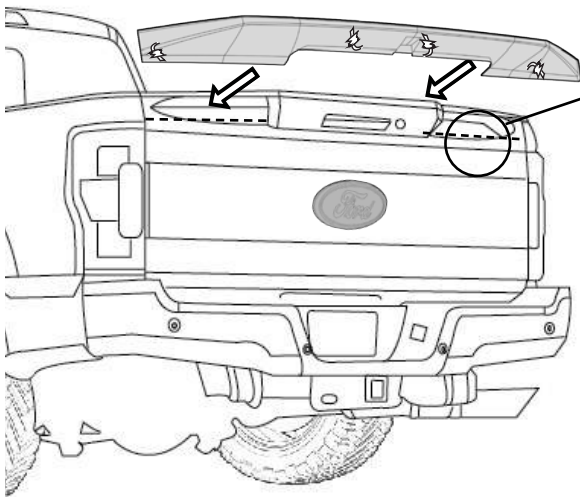


A full surface contact between tape and substrate is decisive for good adhesion performance. Contact is achieved by applying pressure. In practice a pressure between 40 and 50 N/cm<sup>2</sup> is usually needed and an application temperature between 25 and 45 °C or 77 and 113 °F is also necessary. During application, add-on parts and tapes must have the similar temperature.



**WARM SURFACES WITH HEAT GUN IF SURFACE TEMPERATURE IS TOO COLD.**

### 6 PLACE



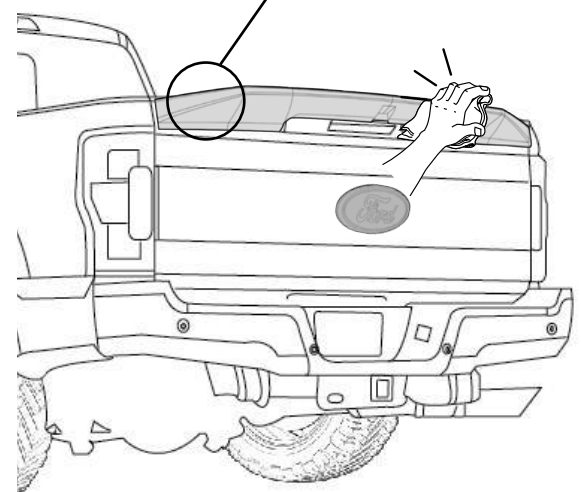
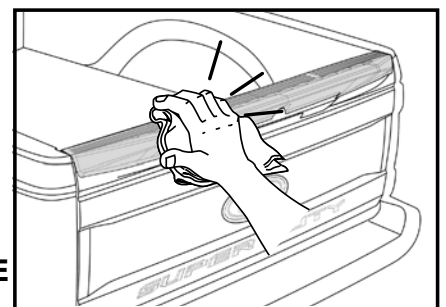
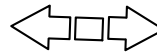
**GUIDED BY GREASE PENCIL MARKS**

### 7 REMOVE LINER



### 8 PRESS

**APPLY PRESSURE**





**AIR DESIGN**

**SUPER RIM**  
TRUCK ACCESSORIES POWERED BY AIR DESIGN USA

**FORD- F250 2017**

**INSTALLATION MANUAL**

**9 CLEAN OFF GREASE PENCIL MARK**

**INSTALLED PART**

