



**AMERICAN FORGE & FOUNDRY, INC.™**

## **18 Gallon Low Profile Waste Oil Drain w/Pump Model 8878**

- Ideal for oil draining trucks where a pit or hoist is not available
- Large 18 Gallon baffled tank captures oil and transports with ease
- Large metal screen
- Convenient rotary hand pump facilitates easy evacuation to large oil tanks
- Long steel handle eases moving and positioning of drain
- Ship Weight: 46 lbs.
- Package dimensions: 45"x25"x8"



### **Related Products**



**Models 8870 8874**  
8 / 18 Gallon Plastic Waste Oil Drains



**Model 8890**  
Waste Oil Drain



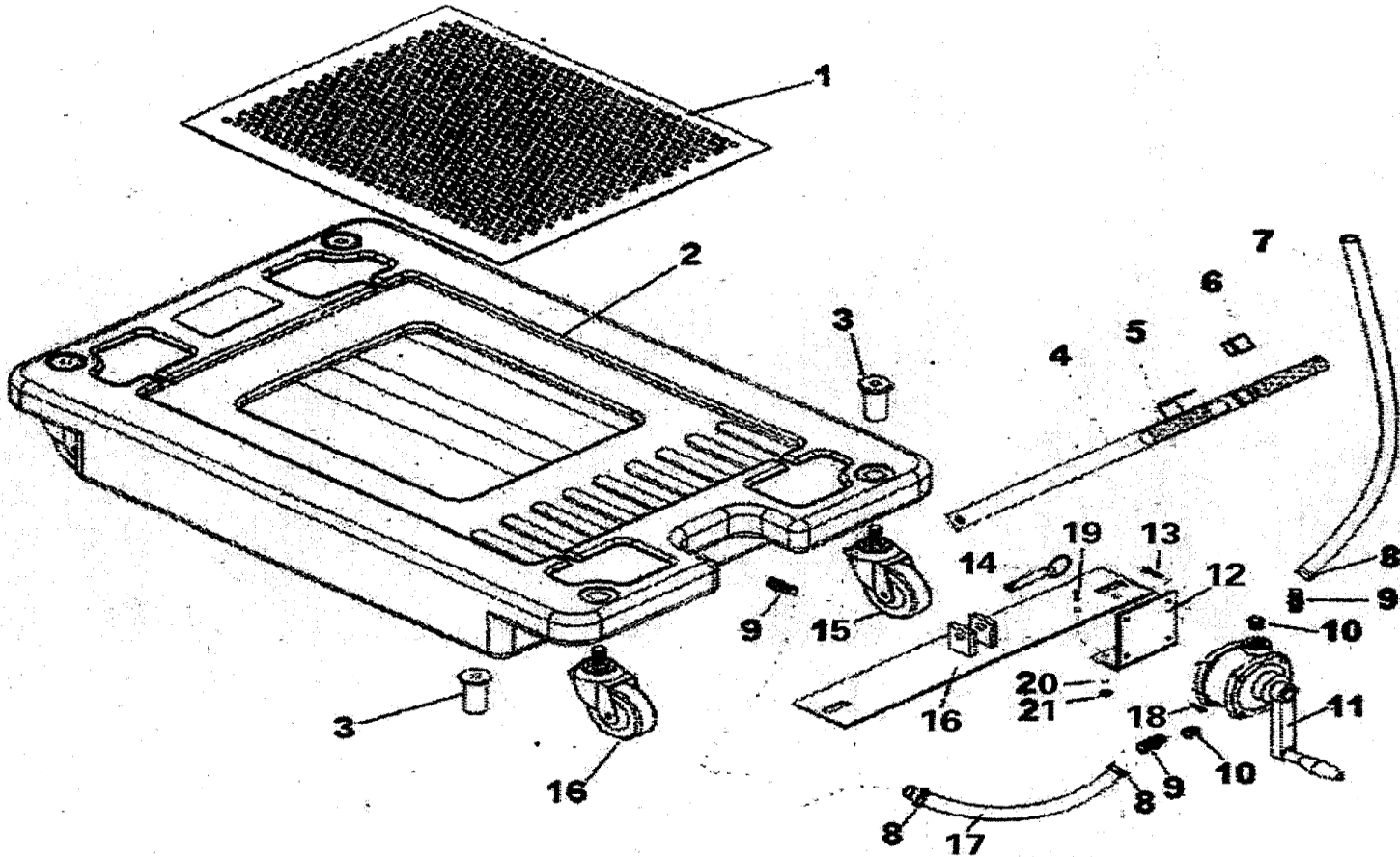
**Model 8622A**  
50:1 Air Operated Grease Pump

**Guilderland Center, NY - 1-800-255-0555 - [www.affjaxx.com](http://www.affjaxx.com)**



# MODEL 8878 TRUCK OIL DRAIN

PART			KIT INCLUDES	
ORDER NUMBER	KIT DESCRIPTION	REF. #	DESCRIPTION	QTY
88781	FILTER SCREEN	1	FILTER SCREEN	1
88783	LOCKNUT	3	LOCKNUT	4
88784	HANDLE	4	HANDLE	1
88787	LONGHOSE	7	LONGHOSE	1
887811	HAND PUMP	11	HAND PUMP	1
887815	CASTER	15	CASTER	4
887818	SHORT HOSE	18	SHORT HOSE	1



\*ONLY PARTS WITH PART ORDER NUMBER ARE AVAILABLE FOR SALE  
DO NOT COPY OR DISTRIBUTE THIS MATERIAL WITH OUT PERMISSION OF AFF, INC.