

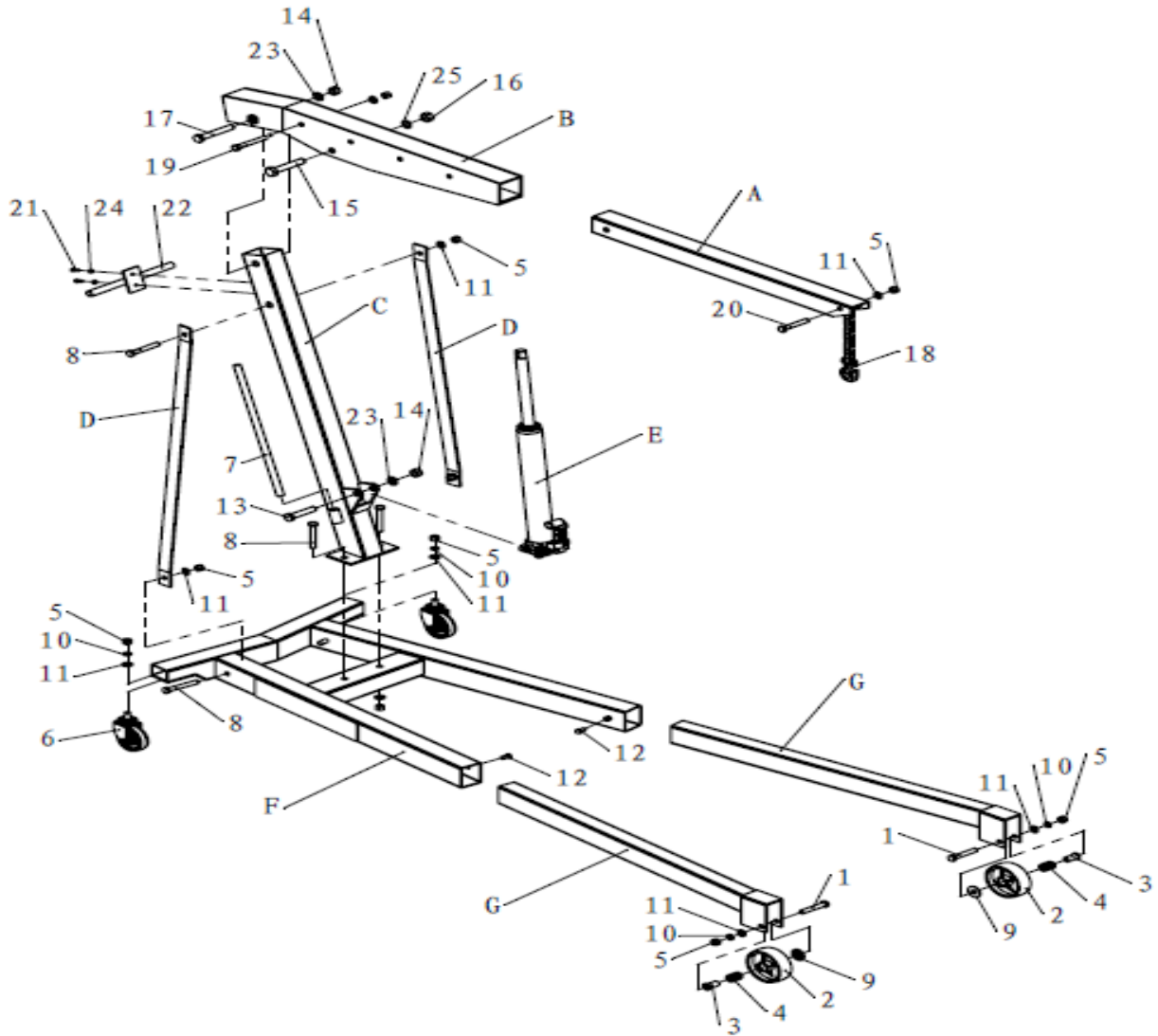


MODEL 3584 3 TON ENGINE CRANE

PART			KIT INCLUDES
ORDER NUMBER	KIT DESCRIPTION	REF. #	DESCRIPTION
3584-A	BOOM EXTENSION	A	A
3584-B	BOOM	B	B
3584-C	UPRIGHT MAST	C	C
3584-D	MAST BRACES	D	D
3584-E	HYDRAULIC RAM	E	E
3584-F	BASE	F	F
3584-G	LEG EXTENSION	G	G
3584-2	WHEEL	2	1,2,3,4,5,9,10,11
3584-6	CASTER	6	6
3584-7	HADLE	7	7
3584-18	HOOK AND CHAIN	18	18
3584-22	HANDLE	22	22
3584-4	ALVE RELEASE SCRE		4
3584-RK	REPAIR KIT		
3584-HK	HARDWARE KIT		

*ONLY PARTS WITH PART ORDER NUMBER ARE AVAILABLE FOR SALE
DO NOT COPY OR DISTRIBUTE THIS MATERIAL WITH OUT PERMISSION OF AFF, INC.

3 TON SHOP CRANE



PARTS LIST-HYDRAULIC JACK

