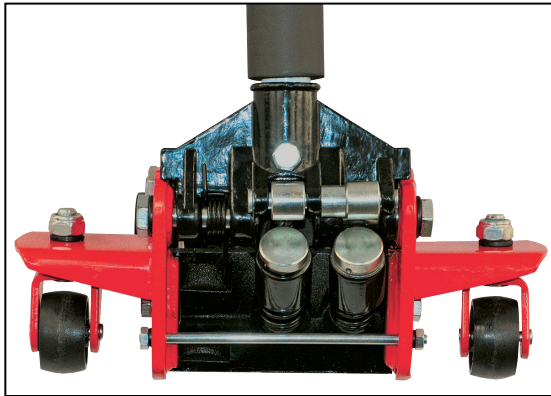




AMERICANFORGE&FOUNDRY™

PROFESSIONAL HEAVY DUTY FLOOR JACKS

- ✓ Heavy gauge steel construction
- ✓ Twin hydraulic system for maximum speed
- ✓ Universal joint technology provides smooth descent
- ✓ Flanged side plates for increased strength and stability
- ✓ Constructed with safety valve to prevent overloading
- ✓ Pinned and padded saddle for extra vehicle protection
- ✓ Tough powder coated frame for long shop life



Double Pump For Maximum Speed
(included on all models)



2 PC Handle For Easy Shipping



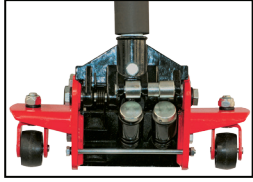
MODEL 350SS

MODEL	CAPACITY	HANDLE	LOW HEIGHT	HIGH HEIGHT	CHASSIS LENGTH	OVERALL WIDTH (FRONT)	OVERALL WIDTH (REAR)	SHIP WEIGHT
200T	2 ton	1 pc	2.75"	20.00"	27.00"	11.74"	15.00"	99 lbs
202T	2 ton	2 pc	2.75"	20.00"	27.00"	11.74"	15.00"	104 lbs
320SS	2.5 ton	1 pc	5.00"	21.00"	28.50"	9.00"	13.50"	101 lbs
322SS	2.5 ton	2 pc	5.00"	21.00"	28.50"	9.00"	13.50"	106 lbs
300T	3 ton	1 pc	3.75"	21.50"	30.75"	11.38"	14.50"	104 lbs
302T	3 ton	2 pc	3.75"	21.50"	30.75"	11.38"	14.50"	109 lbs
350SS	3.5 ton	1 pc	4.00"	19.50"	29.00"	11.25"	15.00"	119 lbs
352SS	3.5 ton	2 pc	4.00"	19.50"	29.00"	11.25"	15.00"	124 lbs

Loaded With Power....Built With Precision

ONE PIECE HANDLES

2 TON LOW PROFILE FLOOR JACK MODEL 200T



TWO PIECE HANDLES

2 TON LOW PROFILE FLOOR JACK w/2 PC HANDLE MODEL 202T

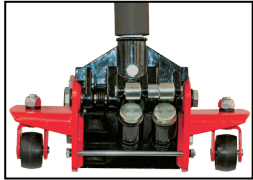


**HOT
NEW PRODUCT!**



2.5 TON PROFESSIONAL HEAVY DUTY FLOOR JACK MODEL 320SS

**HOT
NEW PRODUCT!**



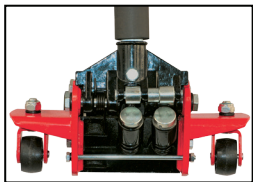
2.5 TON PROFESSIONAL HEAVY DUTY FLOOR JACK w/2 PC HANDLE MODEL 322SS



**HOT
NEW PRODUCT!**



3 TON PROFESSIONAL HEAVY DUTY FLOOR JACK MODEL 300T



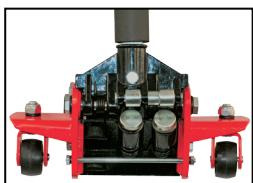
3 TON PROFESSIONAL HEAVY DUTY FLOOR JACK w/2 PC HANDLE MODEL 302T



**HOT
NEW PRODUCT!**



3.5 TON PROFESSIONAL HEAVY DUTY FLOOR JACK MODEL 350SS



3.5 TON PROFESSIONAL HEAVY DUTY FLOOR JACK w/2 PC HANDLE MODEL 352SS



**HOT
NEW PRODUCT!**





MODEL 350 - 3.5 TON HEAVY-DUTY FLOOR JACK

PART ORDER NUMBER	KIT DESCRIPTION	KIT INCLUDES	
		REF. #	DESCRIPTION
350K35	TWO PIECE HANDLE COMPLETE	34	HEX BOLT
		35	HANDLE LOWER
		36	HANDLE UPPER
		44	HANDLE BUMPER
350K26	HANDLE RETAINER	26	BOLT
350K6	SADDLE COMPLETE	6	SADDLE
		43	RUBBER COVER
350KHU	HYDRAULIC UNIT COMPLETE	24	HYDRAULIC UNIT COMPLETE
350K27A	RELEASE VALVE COMPLETE	H19	O-RING
		H20	RELEASE VALVE
350K2	FRONT WHEEL	1	RETAINING RING
		2	FLAT WHEEL
350K12	CASTER	11	LOCK NUT
		12	CASTER ASSEMBLY
350K37	HANDLE SPRING	37	HANDLE RETURN SPRING (PAIR)
350KRK	REPAIR KIT	H3	O-RING
		H4	O-RING
		H5	RETAINING RING
		H7	O-RING
		H9	SEAL WASHER
		H10	O-RING
		H11	SEAL WASHER
		H16	SPLIT PIN
		H18	BALL
		H19	O-RING
		H21	BALL 7
		H22	BALL 9.5
		H25	SEAL WASHER
		H29	SEAL WASHER
		H30	O-RING
		H31	OIL FILL PLUG
H33	O-RING		
H34	O-RING		

*** ONLY PARTS WITH A "PART ORDER NUMBER" ARE AVAILABLE FOR SALE.**

DO NOT COPY OR DISTRIBUTE THIS MATERIAL WITHOUT PERMISSION OF AFF, INC.



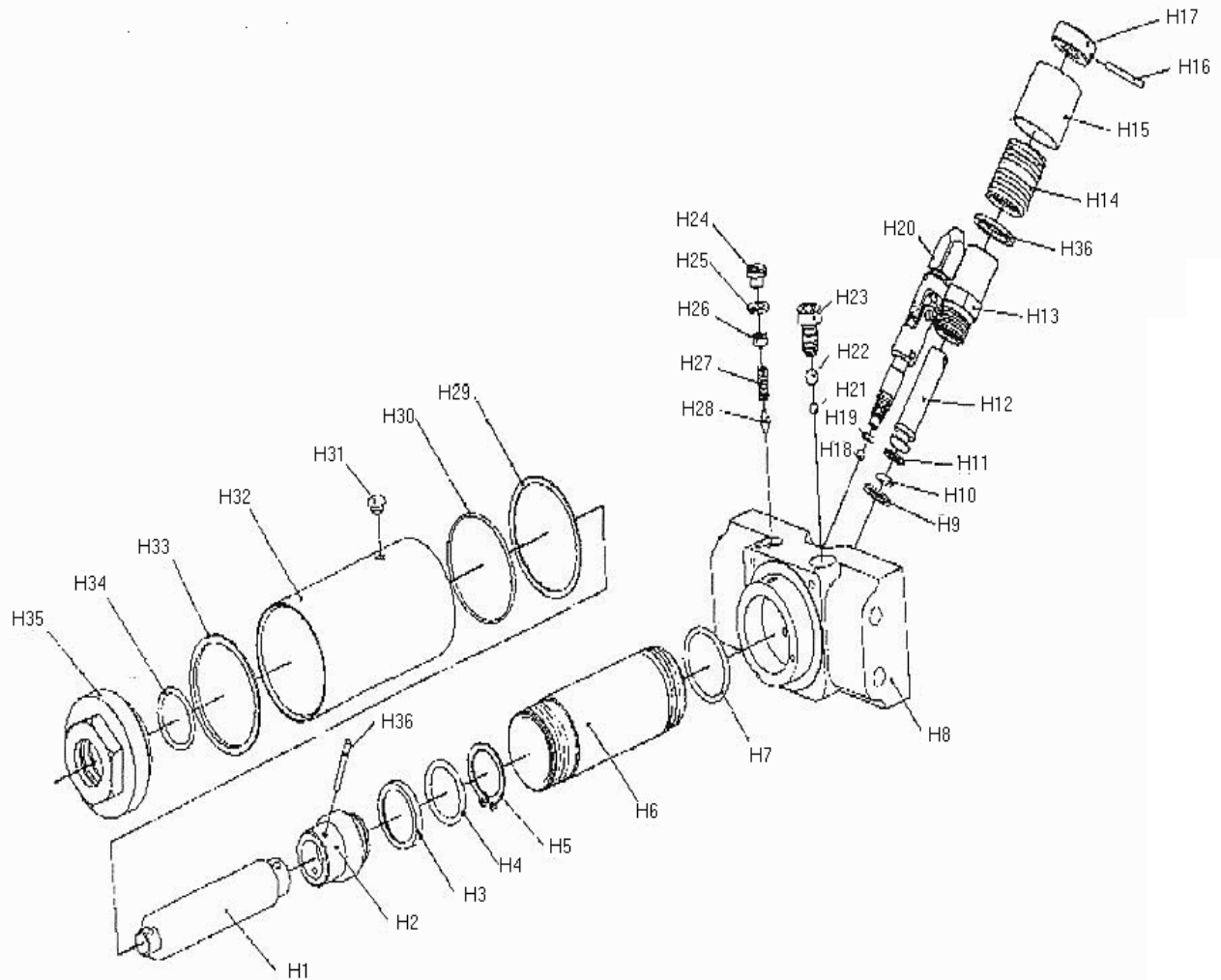
MODEL 350 - 3.5 TON HEAVY-DUTY FLOOR JACK

PART ORDER NUMBER	KIT DESCRIPTION	KIT INCLUDES	
		REF. #	DESCRIPTION
350K13	PUMP COMPLETE	H9	SEAL WASHER
		H10	O-RING
		H11	SEAL WASHER
		H12	PUMP PISTON
		H13	PUMP CYLINDER
		H36	PUMP INNER COVER
		H14	PUMP RETURN SPRING
		H15	SPRING COVER
		H16	SPLIT PIN 4 X 32
		H17	PUMP COVER
350K19	YOKE COMPLETE	9	BOLT X 2
		10	LOCK WASHER X 2
		19	HANDLE SOCKET
		25	ROLLER WHEEL
		26	BOLT
		27	PIN 10 X 45
		28	PIN
		37	HANDLE RETURN SPRING
NOT AVAILABLE		3	SIDE PLATE ASSEMBLY
NOT AVAILABLE		4	BOLT (4)
NOT AVAILABLE		5	LINKAGE
NOT AVAILABLE		7	SHAFT ARM
NOT AVAILABLE		8	RETAINING RING (2)
NOT AVAILABLE		13	LOCK NUT M16 (2)
NOT AVAILABLE		14	RETAINING RING (2)
NOT AVAILABLE		15	SPRING WASHER (4)
NOT AVAILABLE		16	HEX BOLT M12X20 (4)
NOT AVAILABLE		17	PULL ROD
NOT AVAILABLE		18	HEX BOLT M12 (2)
NOT AVAILABLE		20	BLOCK LINKAGE
NOT AVAILABLE		21	GREASE FITTING
NOT AVAILABLE		22	SPLIT PIN 4X25
NOT AVAILABLE		23	SPRING
NOT AVAILABLE		38	WASHER
NOT AVAILABLE		39	INSPECTION PLATE
NOT AVAILABLE		40	SCREW (4)
NOT AVAILABLE		41	WASHER
NOT AVAILABLE		42	HEX NUT

*** ONLY PARTS WITH A "PART ORDER NUMBER" ARE AVAILABLE FOR SALE.**

DO NOT COPY OR DISTRIBUTE THIS MATERIAL WITHOUT PERMISSION OF AFF, INC.

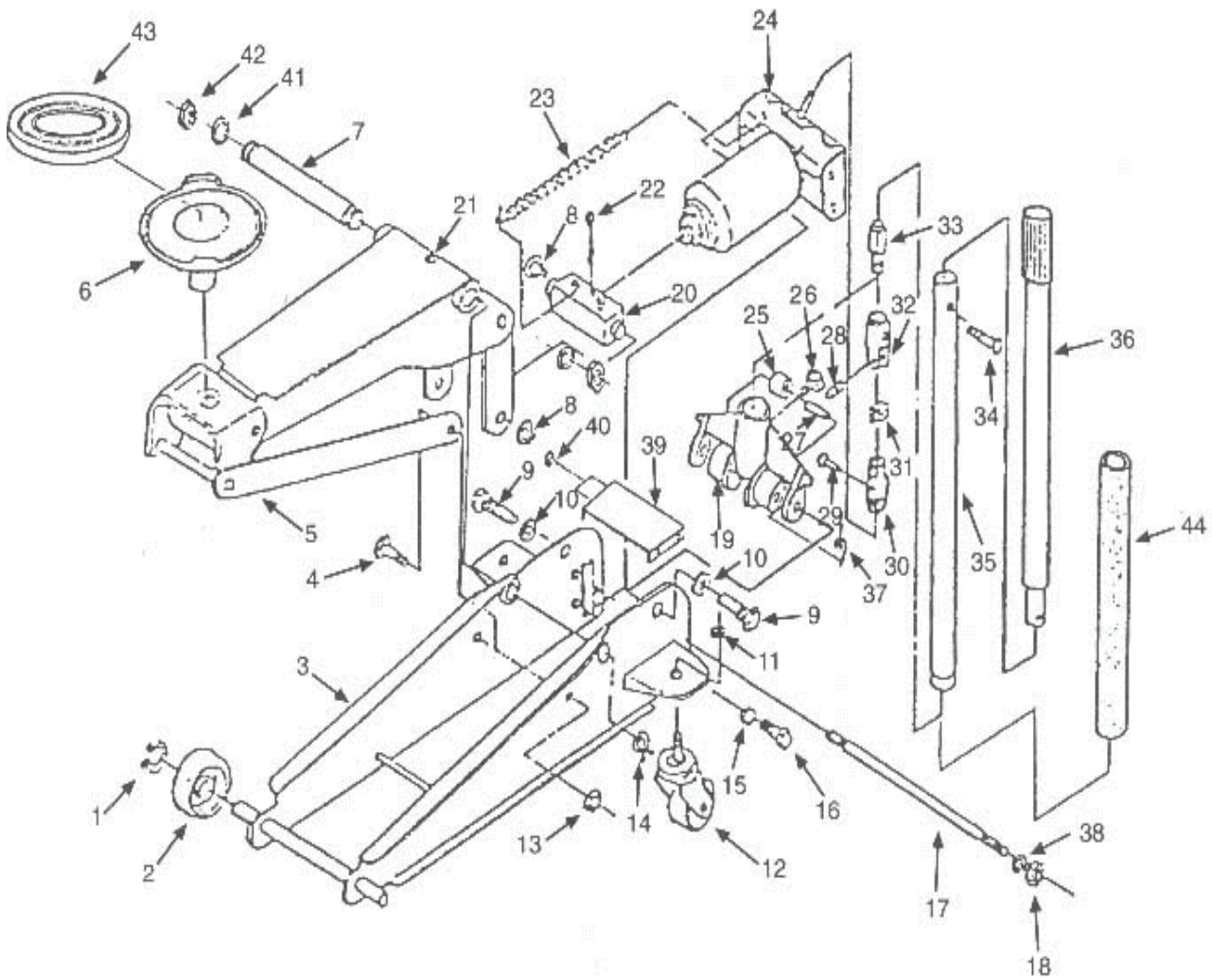
MODEL 350 - 3.5 TON HEAVY-DUTY FLOOR JACK HYDRAULIC UNIT



*** ONLY PARTS WITH A "PART ORDER NUMBER" ARE AVAILABLE FOR SALE.**

DO NOT COPY OR DISTRIBUTE THIS MATERIAL WITHOUT PERMISSION OF AFF, INC.

MODEL 350 - 3.5 TON HEAVY-DUTY FLOOR JACK EXPLODED VIEW



*** ONLY PARTS WITH A "PART ORDER NUMBER" ARE AVAILABLE FOR SALE.**

DO NOT COPY OR DISTRIBUTE THIS MATERIAL WITHOUT PERMISSION OF AFF, INC.

Rely on premium car jacks made by AFF if you're looking for quality and efficiency.