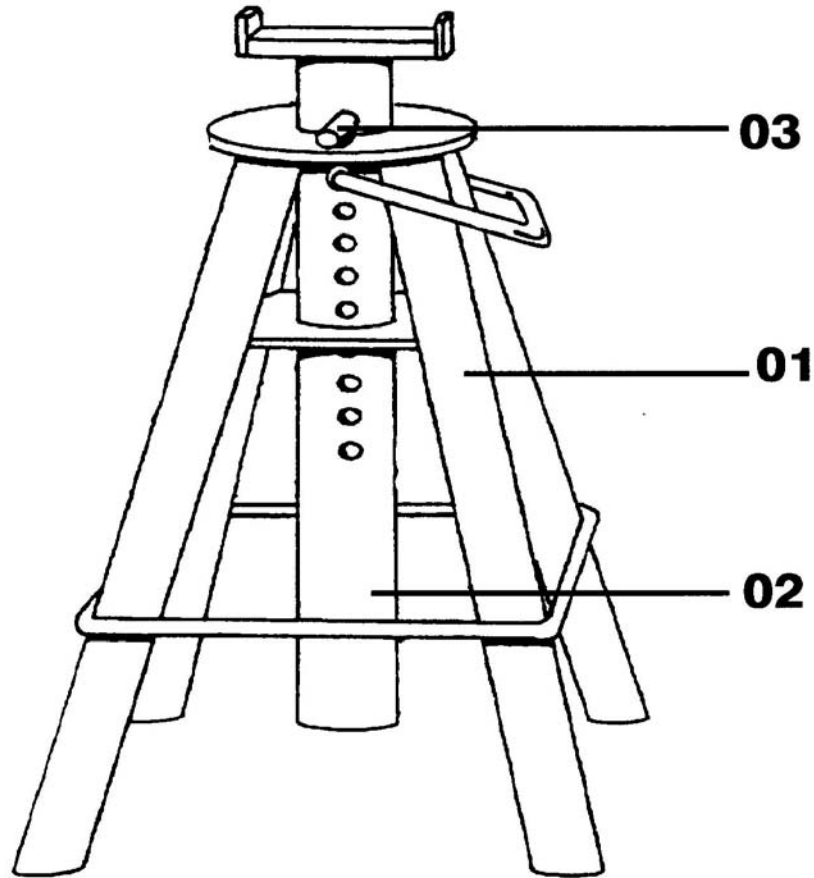




MODEL 3309A - 10 TON CAPACITY PIN-TYPE JACK STAND

UPDATED 3/06

PART ORDER NUMBER	KIT DESCRIPTION	KIT INCLUDES	
		REF. #	DESCRIPTION
3309AK03	PIN	3	PIN WITH CABLE
NOT AVAILABLE SEPARATELY			
NOT AVAILABLE SEPARATELY		1	STAND FRAME
NOT AVAILABLE SEPARATELY		2	SADDLE EXTENSION TUBE



* ONLY PARTS WITH A "PART ORDER NUMBER" ARE AVAILABLE FOR SALE.

DO NOT COPY OR DISTRIBUTE THIS MATERIAL WITHOUT PERMISSION OF AFF, INC.