



## INSTALLATION INSTRUCTIONS

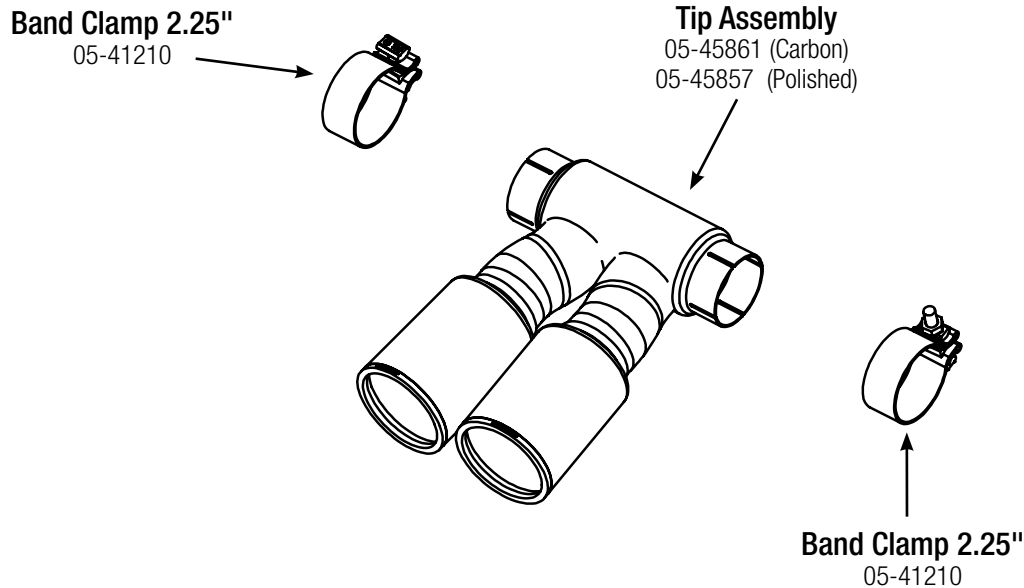
MAKE: Porsche  
MODEL: Cayman S (981)  
YEAR: 2013-2014  
ENGINE: H6-3.4L

Tip Assembly  
304 Stainless Steel  
49C36413-P (Polished)  
49C36413-C (Carbon)

---

**aFe recommends professional installation on our products.**

---



---

**Caution:** Allow time for your vehicle to cool down prior to installation. When working on or under your vehicle proceed with caution. Exhaust systems reach high temperatures and may cause serious burns. Wear protective safety equipment; eye goggles and gloves to ensure a safe installation.

---

- Step 1:** (Read Instructions prior to installation). Secure vehicle on jack stands (refer to your manual for specified jack stand positions).
  - Step 2:** Remove O.E. [exhaust system](#) and then remove O.E. muffler tip assembly.
  - Step 3:** Install the aFe power tip upgrade onto the O.E. exhaust system using the supplied band clamps but do not tighten.
  - Step 4:** Using the original hardware removed from step 2, install the exhaust system and tighten.
  - Step 5:** Now align the aFe tip upgrade to the desired position and tighten the x2 band clamps.
  - Step 6:** Recheck all your work.
  - Step 7:** Remove vehicle off jack stands.
- NOTE:** It is normal for the aFe exhaust systems to emit smoke for the first few minutes upon initial start-up.