



# aFe Silver Bullet

Throttle Body Spacer  
Part Number  
46-32003

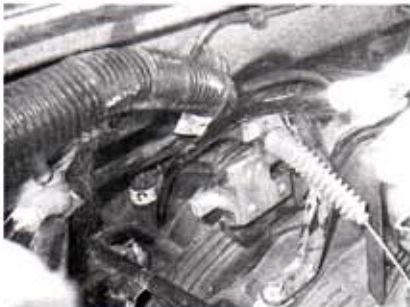
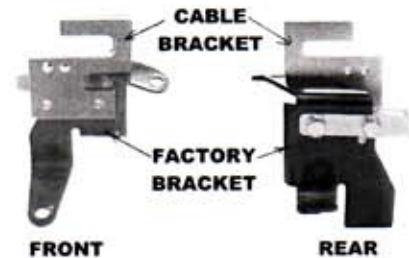
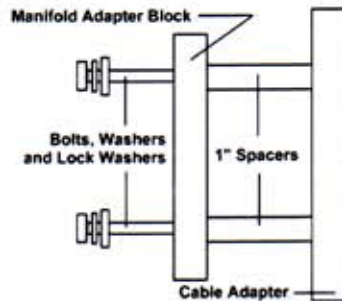
## Important!

This kit includes the parts for several different installations; please verify the parts list and read all instruction steps before you begin installation.

**Make:** Dodge Truck

Model	Year	Engine	Model	Year	Engine
Dakota	1999-2006	4.7L	Durango	2000-2001	4.7L

1. Unbolt and remove air resonator and air inlet tube. (Note: 2002-2004 models should also disconnect the Air Temperature Sensor (ATS)) Disconnect the control cables from throttle body.
2. Remove three retaining bolts holding throttle body to the intake manifold.
3. Install the Silver Bullet Spacer (o-ring side towards throttle body) in between the intake and throttle body. Use the longer bolts provided to secure the throttle body to the intake. Tighten the bolts to 10 Nm (89 lb/in).
4. Remove cables from intake manifold bracket. Assemble the adapter block, bolts, washers, spacers, and cable retainer together. Install cables into new bracket. Slide assembly into manifold bracket. Attach cables back onto the throttle body.
5. Attach the housing extensions to the air housing and reassemble the housing to the intake manifold. (Note: 2002-2004 models should install the 1/2" spacer between the resonator and extension bracket to provide adequate clearance on the A/C lines) Reinstall the transfer hose to the housing and to the air cleaner assembly. (Note: 2002-2004 models should also reconnect the ATS) Make sure all the clamps and bolts are properly attached and torqued to specification.



## Parts List

- 1 Silver Bullet Spacer
- 3 6mm x 60mm bolts
- 5 6mm flat washers
- 1 Cable adapter block
- 1 Manifold adapter block
- 2 6mm x 1-inch spacers
- 2 6mm extenders
- 2 6mm x 1/2" spacers
- 2 6mm x 16mm bolts
- 2 6mm x 40mm bolts
- 2 6mm lock washers
- 2 6mm countersunk bolts