

advanced FLOW engineering
Instruction Manual P/N: TT-2016B/L/R



Make: **Toyota/Scion/Subaru** Model: **86/FR-S/BRZ** Year: **2012-2017** Engine: **H4-2.0L**



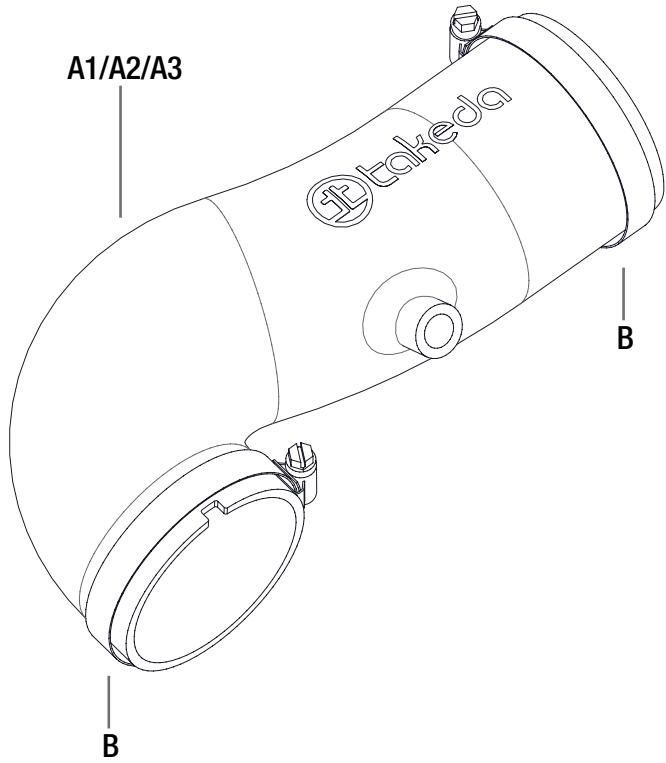
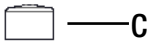
- Please read the entire instruction manual before proceeding.
- Ensure all components listed are present.
- If you are missing any of the components, call customer support.
- Ensure you have all necessary tools before proceeding.
- Do not attempt to work on your vehicle when the engine is hot.
- Disconnect the negative battery terminal before proceeding.
- Retain factory parts for future use.

Label	Qty.	Description	Part Number
A1	1	Tube	05-T2016B1 (Black)
A2	1	Tube	05-T2016L1 (Blue)
A3	1	Tube	05-T2016R1 (Red)
B	2	Clamp, 048	03-50007
C	1	Cap, Vinyl	03-50408
D	1	Clamp-Mini (1-5/16" - 2")	03-50093

Installation will require the following tools:

Phillips screw driver, 8mm nut driver, ratchet, extension, 10mm/12mm socket & pliers

Note: Legal in California for use on race vehicles only. The use of this device on vehicles used on public streets or highways is strictly prohibited in California and others states that have adopted California emission regulations.





Refer to Figure A for step 1

Step 1: Loosen clamps ① off throttle body and cabin noise chamber, disconnect crank case vent hose ②, then remove OE tube out of the vehicle. Do not throw away OE crank case hose clamp.

INSTALL



Figure B

Refer to Figure B for steps 2-5

Step 2: Install Takeda tube in to vehicle using the bigger supplied clamps, and re-connect factory crank case vent line using the factory clamp.

Step3: Cap off the the cabin chamber with the supplied cap and clamp.

Step 4: Tighten all clamps down.

Step 5: Your installation is now complete. Thank you for choosing Takeda!

NOTE: Retighten all connections after approximately 100-200 miles.



C/F Intake System



P/N: TM-2013C-D (PDS)
TM-2013C-R (P5R)

Intake System



P/N: TM-2013B-D (PDS)
TM-2013B-R (P5R)

Twisted Steel Header



P/N: 48-36005-HC (Street)
48-36005-HN (Race)

Cat-Back Exhaust



P/N: 49-36023-P (Pol Tips)
49-36023-B (Blk Tips)

Sprint Booster



P/N: 77-16501 (Manual)
P/N: 77-16502 (Automatic)

Oil Filter



P/N: 44-LF018

Takeda Tee



P/N: 40-30332 M
P/N: 40-30333 L
P/N: 40-30334 XL

Lic. Plate Frame



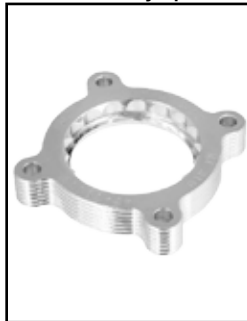
P/N: TP-7014F

OE Replacement Filter



P/N: 30-10094-1 (P5R)
30-10094-1 (PDS)

Throttle Body Spacer



P/N: 46-38009

Warranty

General Terms:

- aFe warrants their products to be free from manufacturer's defects due to workmanship and material.
- This warranty applies only to the original purchaser of the product and is non-transferrable.
- Proof of purchase of the aFe product is required for all warranty claims.
- Warranty is valid provided aFe instructions for installation and/or cleaning were properly followed.
- Proper maintenance with regular inspections of product is required to insure warranty coverage.
- Damage due to improper installation, abuse, unauthorized repair or alteration is not warranted.
- Incidental or consequential damages or cost, including installation and removal of part, incurred due to failure of aFe product is not covered under this warranty.
- All warranty is limited to the repair and/or replacement of the aFe part. To request Return Goods Authorization ("RGA"). Upon receipt of the RGA, you must return the product to the address provided in the RGA, freight prepaid and accompanied with a dated proof of purchase and the RGA. Upon receipt of the defective product and upon verification of proof of purchase, aFe will either repair or replace the defective product within a reasonable time, not to exceed thirty days.

Product Category	P/N Prefix	Warranty duration
Direct OE Replacement Filters	10, 11, 30, 31, 71, 73	Life of the vehicle
Racing Filters	18	1 year
Universal	21, 24, 72, TF	2 years
Air Intake Systems	50, 51, 54, 55, 75, TR, TA, TL	2 years
Exhaust Systems	49	2 years
Intercoolers & Intercooler Tubes	46-2	2 years
Intake Manifolds	46-1	2 years
Differential Cover	46-7	Life of the vehicle
Exhaust Manifolds	46	2 years
Throttle Body Spacers	46-3	2 years
Turbochargers	46-6	2 years*
Fluid Filters	44	90 days
Pre-Filters	28	2 years
Heavy Duty OE Replacement	70	2 years
PowerSports OE Replacement	81, 87	2 years
PowerSports Intake Systems	85	2 years

No other warranty expressed or implied applies nor is any person or advanced FLOW engineering authorized to assume any other warranty. Some States do not allow the exclusion or limitation of incidental or consequential damages or do not allow limitations on how long an implied warranty lasts, so the above limitations or exclusions may not apply to you. This warranty gives you specific legal rights, and you may also have other rights which vary from State to State.

*See turbocharger warranty for more info