

advanced FLOW engineering

Instruction Manual P/N: TA-4306B-R / TR-4306B-D

Make: **Subaru** Model: **WRX STI** Year: **2015-2016** Engine: **H4-2.5L (t)**

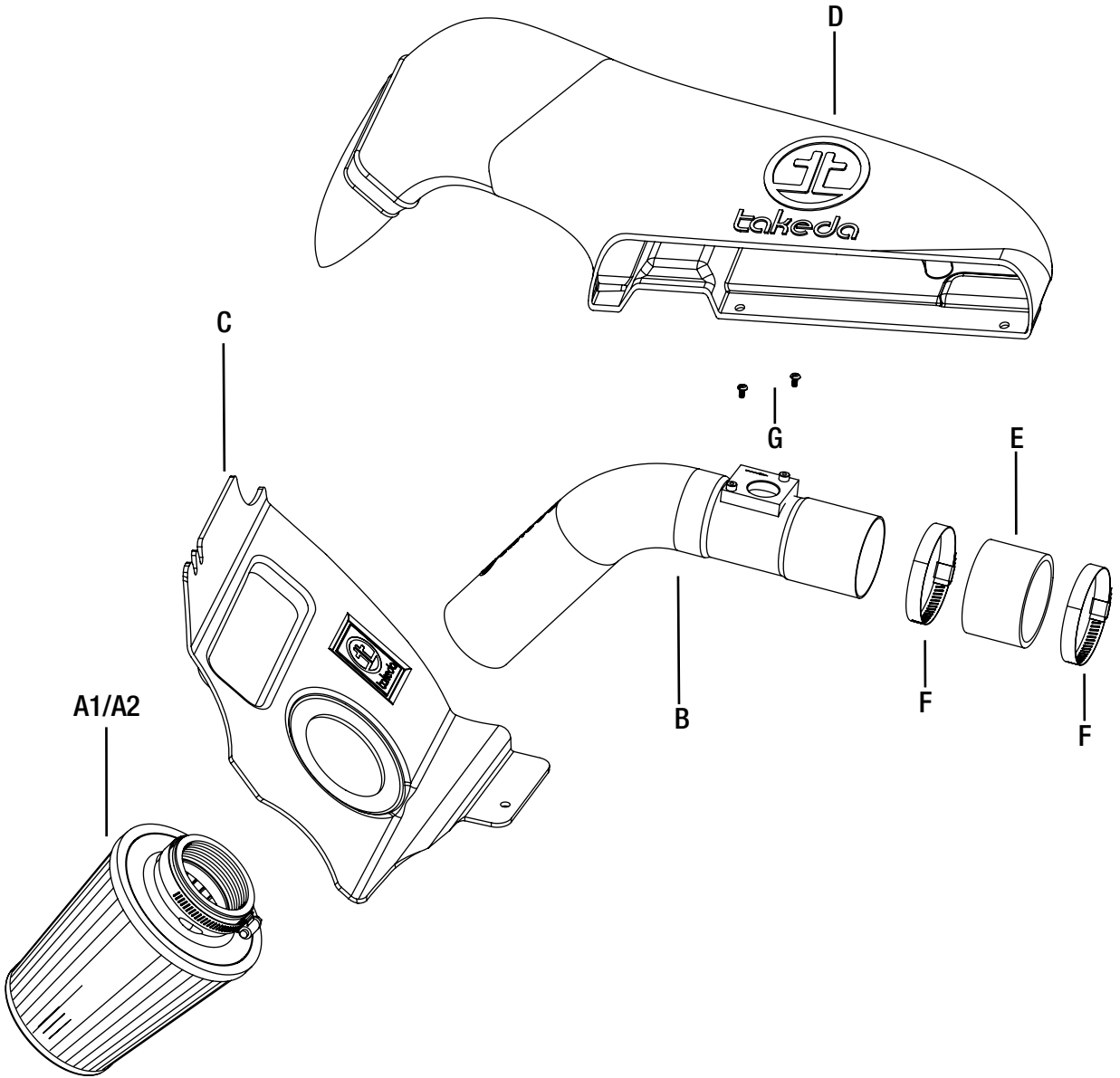


- Please read the entire instruction manual before proceeding.
- Ensure all components listed are present.
- If you are missing any of the components, call customer support.
- Ensure you have all necessary tools before proceeding.
- Do not attempt to work on your vehicle when the engine is hot.
- Disconnect the negative battery terminal before proceeding.
- Retain factory parts for future use.

Label	Qty.	Description	Part Number
A1	1	Air Filter (Pro DRY S)	TF-9024D
A2	1	Air Filter (Pro 5R)	TF-9024R
B	1	Tube	05-T4306B1
C	1	Housing	05-T4306B2
D	1	Scoop	05-T4306B3
E	1	Coupling, Silicone Straight	05-01107
F	2	Clamp, 044 (2-5/16" - 3-1/4")	03-50019
G	2	Screw, Chs Hd Slotted: M4x.7x8	03-50034

Tools needed: 8mm Nut driver, 10mm Nut Driver, 1/4" Ratchet, 10mm Socket, Flat-head Screw Driver, Phillips Screw Driver, Pliers.

Note: Legal in California for use on race vehicles only. The use of this device on vehicles used on public streets or highways is strictly prohibited in California and others states that have adopted California emission regulations.



**Figure A****Refer to Figure A for Steps 1-2**

Step 1: Remove the two push pins retaining the OE air scoop. Do not discard push pins, will be reused later (1).

Step 2: Remove OE air scoop from vehicle.

**Figure B****Refer to Figure B for Steps 3-7**

Step 3: Unplug MAF sensor harness from MAF sensor ②.

Step 4: Remove the two 10mm ③ nuts from the bracket on the OE air box. Do not discard nuts, will be reused.

Step 5: Remove the 10mm ④ bolt on the bottom of the OE air box. Do not discard bolt, will be reused.

Step 6: Loosen the clamp connecting to the OE turbo inlet tube and sound chamber tube.

Step 7: Remove OE air box out of vehicle.



INSTALL



Figure C

Refer to Figure C for Step 8

Step 8: Pre-install the Takeda air filter through the Takeda housing, assure filter retain grooves snap into housing.



INSTALL

Figure D

Refer to Figure D for Step 9

Step 9: Install the Takeda housing into the vehicle and secure it using the OE nuts and bolt.



Figure E

Refer to Figure E for Step 10-11

Step 10: Transfer MAF sensor from OE air box to Takeda intake tube using provided hardware.

Step 11: Slide the provided coupling with clamps onto Takeda intake tube. Do not tighten clamps yet.



Figure F

Refer to Figure F for Steps 12-14

Step 12: Slide the intake tube into the air filter then side the coupling onto the turbo inlet tube.

Step 13: Alight the intake tube and assure filter retain groves are snapped onto the housing then tighten all clamps.

Step 14: Reconnect MAF sensor harness.

**Figure G****Refer to Figure G for Steps 15-17**

Step 15: Insert the Takeda air scoop through the housing opening, assure it snaps in to the grooves.

Step 16: Re-install the OE push pins to secure the Takeda air Scoop.

Step 17: Make sure all bolt and clamps are tight, installation is now complete. Thank you for choosing Takeda.



Pro DRY S Air Filter



P/N: TF-9024D

Pro 5R Air Filter



P/N: TF-9024R

Takeda Restore Kit



P/N: TP-7015C

Blue Squeeze Restore Kit



P/N: 90-50501

Blue Aerosol Restore Kit



P/N: 90-50001

Takeda Lic. Frame



P/N: TP-7014F

Takeda Tee



P/N: 40-30332 (M)
40-30333 (L)
40-30334 (XL)

aFe LED Flashlight



P/N: 40-10131

aFe Hat



P/N: 40-10114

aFe Bag



P/N: 40-10122

aFe Gloves



P/N: 40-10149

aFe iPhone 6 Case



P/N: 40-10145

Warranty

General Terms:

- aFe warrants their products to be free from manufacturer's defects due to workmanship and material.
- This warranty applies only to the original purchaser of the product and is nontransferable.
- Proof of purchase of the aFe product is required for all warranty claims.
- Warranty is valid provided aFe instructions for installation and/or cleaning were properly followed.
- Proper maintenance with regular inspections of product is required to insure warranty coverage.
- Damage due to improper installation, abuse, unauthorized repair or alteration is not warranted.
- Incidental or consequential damages or cost, including installation and removal of part, incurred due to failure of aFe product is not covered under this warranty.
- All warranty is limited to the repair and/or replacement of the aFe part. To request Return Goods Authorization ("RGA"). Upon receipt of the RGA, you must return the product to the address provided in the RGA, freight prepaid and accompanied with a dated proof of purchase and the RGA. Upon receipt of the defective product and upon verification of proof of purchase, aFe will either repair or replace the defective product within a reasonable time, not to exceed thirty days.

Product Category	P/N Prefix	Warranty duration
Direct OE Replacement Filters	10, 11, 30, 31, 71, 73	Life of the vehicle
Racing Filters	18	1 year
Universal	21, 24, 72	2 years
Air Intake Systems	50, 51, 54, 55, 75	2 years
Exhaust Systems	49	2 years
Intercoolers & Intercooler Tubes	46-2	2 years
Intake Manifolds	46-1	2 years
Differential Cover	46-7	Life of the vehicle
Exhaust Manifolds	46	2 years
Throttle Body Spacers	46-3	2 years
Fluid Filters	44	90 days
Pre-Filters	28	2 years
Heavy Duty OE Replacement	70	2 years
PowerSports OE Replacement	81, 87	2 years
PowerSports Intake Systems	85	2 years

No other warranty expressed or implied applies nor is any person or advanced FLOW engineering authorized to assume any other warranty. Some States do not allow the exclusion or limitation of incidental or consequential damages or do not allow limitations on how long an implied warranty lasts, so the above limitations or exclusions may not apply to you. This warranty gives you specific legal rights, and you may also have other rights which vary from State to State.