

**advanced FLOW engineering** Track Series Cold Air Intake System

**Instruction Manual** P/N: 57-10004D / 57-10004R

---

Make: <b>BMW</b>	Model: <b>M2 (F87)</b>	Year: <b>2016-2018</b>	Engine: <b>L6-3.0L (t) N55</b>
Make: <b>BMW</b>	Model: <b>335i/xi (F30/34)</b>	Year: <b>2012-2015</b>	Engine: <b>L6-3.0L (t) N55</b>
Make: <b>BMW</b>	Model: <b>435i/xi (F32/33/36)</b>	Year: <b>2014-2016</b>	Engine: <b>L6-3.0L (t) N55</b>
Make: <b>BMW</b>	Model: <b>M135i/xi/M235i (F20/21/22)</b>	Year: <b>2012-2016</b>	Engine: <b>L6-3.0L (t) N55</b>



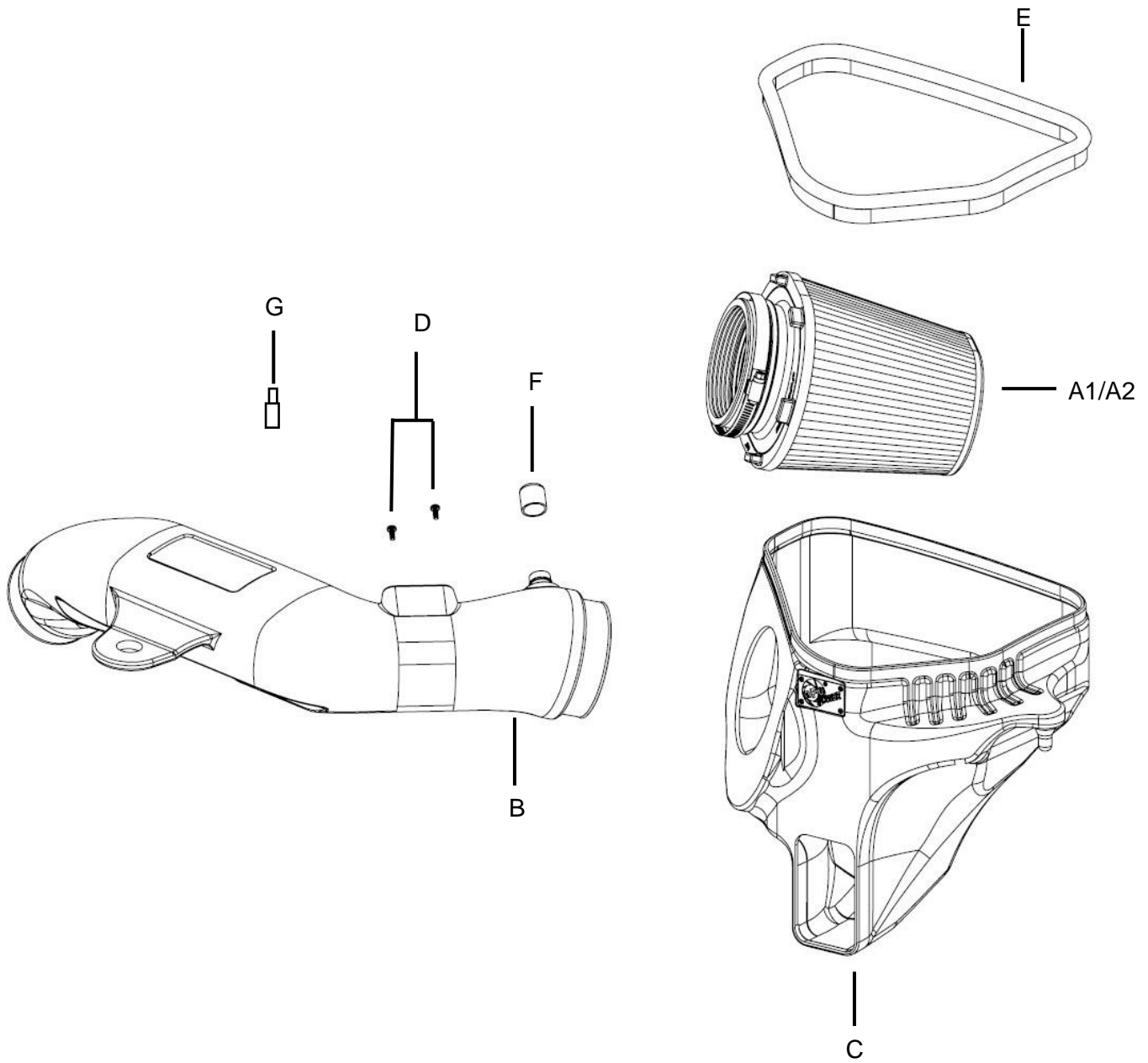
- Please read the entire instruction manual before proceeding.
- Ensure all components listed are present.
- For technical support please call.
- Ensure you have all necessary tools before proceeding.
- Do not attempt to work on your vehicle when the engine is hot.
- Retain factory parts for future use.

Label	Qty.	Description	Part Number
A1	1	Air Filter (Pro DRY S)	21-90113
A2	1	Air Filter (Pro 5R)	24-90113
B	1	Tube, Carbon Fiber	05-82202C1
C	1	Housing, Plastic	05-5710004B1
D	2	Screw, M4	03-50490
E	1	Trim Seal: 3/4" Bulb (38")	05-01507
F	1	Cap, Vinyl: 3/4" ID	03-50035
G	1	Torx Bit: M4	03-50066

**Installation will require the following tools:**

6mm, 8mm, and 13mm nut drivers or sockets, socket wrench, flat-head screwdriver, and pliers.

**Emissions Disclaimer:** This product is not currently CARB exempt and is not available for purchase in California or for use on any vehicle registered with the California Department of Motor Vehicles.

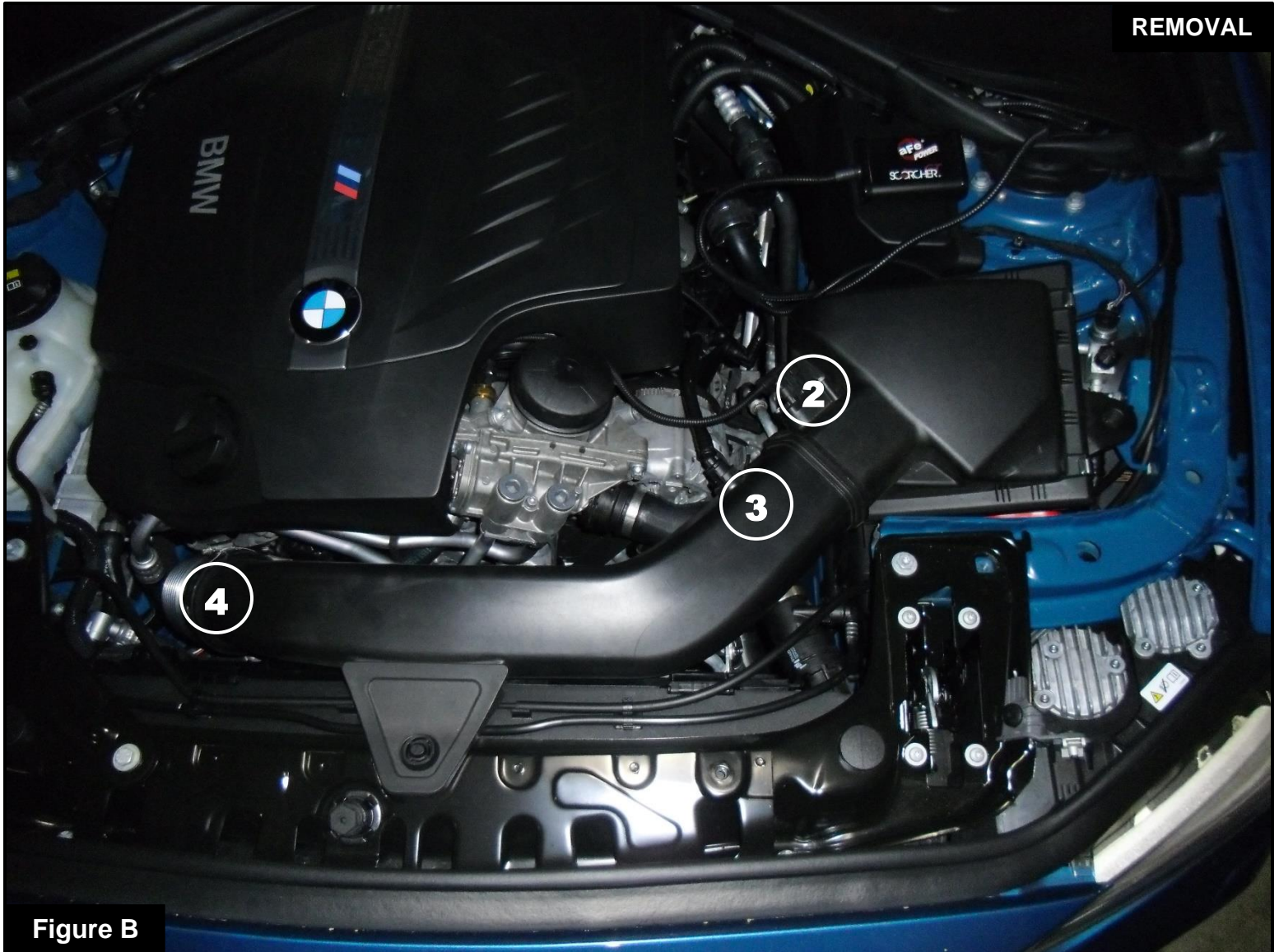


**Figure A****Refer to Figure A for Step 1**

Step 1: If your vehicle is equipped with a brace, remove the brace by unscrewing the four (4) 13mm bolts.

Keep the bolts for later use ①.




**Figure B**

### **Refer to Figure B for Steps 2-5**

Step 2: Disconnect the MAF sensor harness (2).

Step 3: If equipped, unplug the vacuum line from the factory intake (3).

Step 4: Using a 6mm nut driver, loosen the hose clamp at the factory intake (4). Then, slide the factory intake away from the turbo inlet pipe.

Step 5: To remove the factory intake, carefully pull up and away from the engine bay.



**Figure C****Refer to Figure C for Steps 6-8**

Step 6: Transfer the MAF sensor from the factory intake to the aFe Power intake tube and attach with the supplied screws (5) and Torx bit.

Step 7: Remove the factory grommet on top of the radiator support and install it onto the aFe Power intake tube (6).

Step 8: For vehicles with the manual transmission, cap off the aluminum fitting with the provided vinyl cap (7).

**Figure D****Refer to Figure D for Steps 9-10**

Step 9: Remove the clamp from the supplied aFe POWER air filter's flange. Slide the air filter into the aFe POWER housing from the top opening. Then, guide the air filter flange through the round opening in the housing and snap in the air filter. Place the clamp back on the air filter flange, but do not tighten at this time. Make sure to rotate the air filter to have the wider side face up (8).

Step 10: Install the provided trim seal along the top edge of the aFe Power housing (9).





**Figure E**

**Refer to Figure E for Step 11**

Step 11: Install the assembled aFe Power housing with air filter into the engine bay.





### **Refer to Figure F for Steps 12-17**

Step 12: Install the aFe Power intake tube into the turbo inlet, then into the air filter, then onto the peg on the radiator support. Do not tighten the clamps at this time.

Step 13: For vehicles with a CCV hose, connect the CCV hose to the aFe power intake tube (10).

Step 14: Connect the MAF harness to the MAF sensor (11).

Step 15: Make sure all parts sit correctly in the vehicle, then tighten all of the clamps.

Step 16: If your vehicle is equipped with a brace, re-install the brace with the factory bolts from Step 1.

Step 17: Verify all clamps are secure and re-check periodically. Your installation is now complete. Thank you for choosing aFe Power!



Pro DRY S Air Filter



P/N: 21-90113

Pro 5R Air Filter



P/N: 24-90113

Pre-Filter



P/N: 28-10153

Pro DRY S Restore Kit



P/N: 90-59999

Pro DRY S Restore Kit



P/N: 90-50501

SPRINT BOOSTER V3



P/N: 77-16302

Cat-Back Exhaust



P/N: 49-36330-P

Down Pipe



P/N: 49-36315-HC

Intercooler



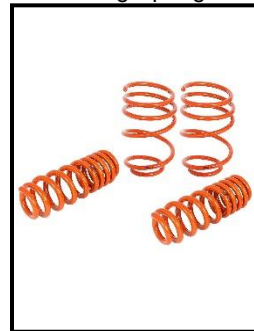
P/N: 46-20272-B

Throttle Body Spacer



P/N: 46-31007

Lowering Springs



P/N: 410-503001-N

Oil Filters



P/N: 44-LF029