

advanced FLOW engineering

Super Stock Induction System®

Instruction Manual P/N: 55-10001R

Make: Dodge	Model: Challenger	Year: 2015-2020	Engine: V6-3.6L
Make: Dodge	Model: Challenger	Year: 2015-2020	Engine: V8-5.7L
Make: Dodge	Model: Challenger	Year: 2015-2020	Engine: V8-6.4L
Make: Dodge	Model: Challenger SRT Hellcat	Year: 2015-2020	Engine: V8-6.2L(sc)



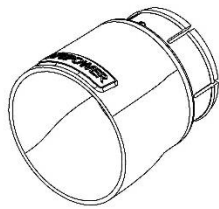
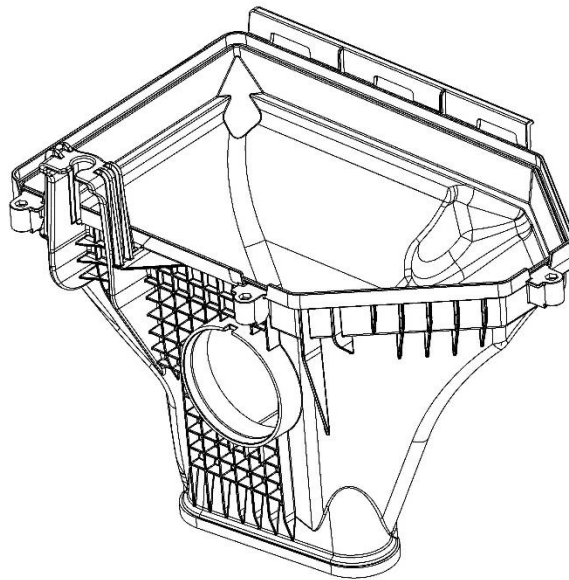
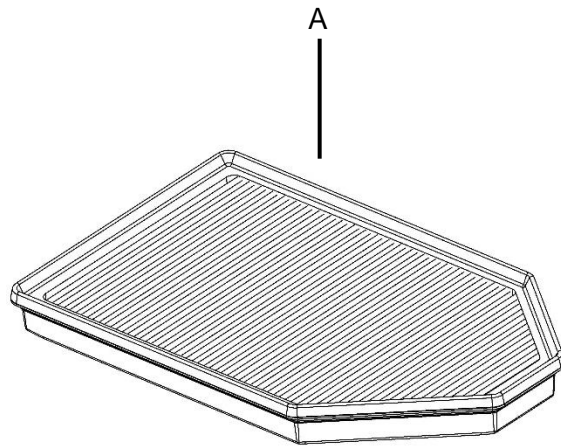
- Please read the entire instruction manual before proceeding.
- Ensure all components listed are present.
- If you are missing any of the components, call customer support.
- Ensure you have all necessary tools before proceeding.
- Do not attempt to work on your vehicle when the engine is hot.
- Retain factory parts for future use.

Label	Qty.	Description	Part Number
A	1	Air Filter (Pro 5R)	30-10220
B	1	SRT Hellcat lower portion air box	05-5510001B2
C	1	Air inlet scoop	05-72203B3

Installation will require the following tools:

8mm socket, extension, ratchet, pliers and flat-head screwdriver

Emissions Disclaimer: This product does not require a CARB EO#.



C

B



Refer to Figure A for Steps 1-3

- Step 1: Untighten the clamp securing the tube to the factory air box.
- Step 2: Remove the three screws securing the upper portion of the air box to the lower portion.
- Step 3: Disconnect the tube and remove the upper portion of the factory airbox. Disconnect any hose connected to the air box.



Refer to Figure B for Steps 4-6

Step 4: Remove the factory air filter.

Step 5: Remove the 8mm screw securing the factory air box to the vehicle. The screw will be re-used for the installation of the SRT Hellcat lower portion of the air box.

Step 6: Remove the factory air box from the vehicle.

**Figure C****Refer to Figure C for Step 7**

Step 7: Slide your hand through the back side of the headlight and push the cap off on the center of the headlight to open the headlight air inlet.

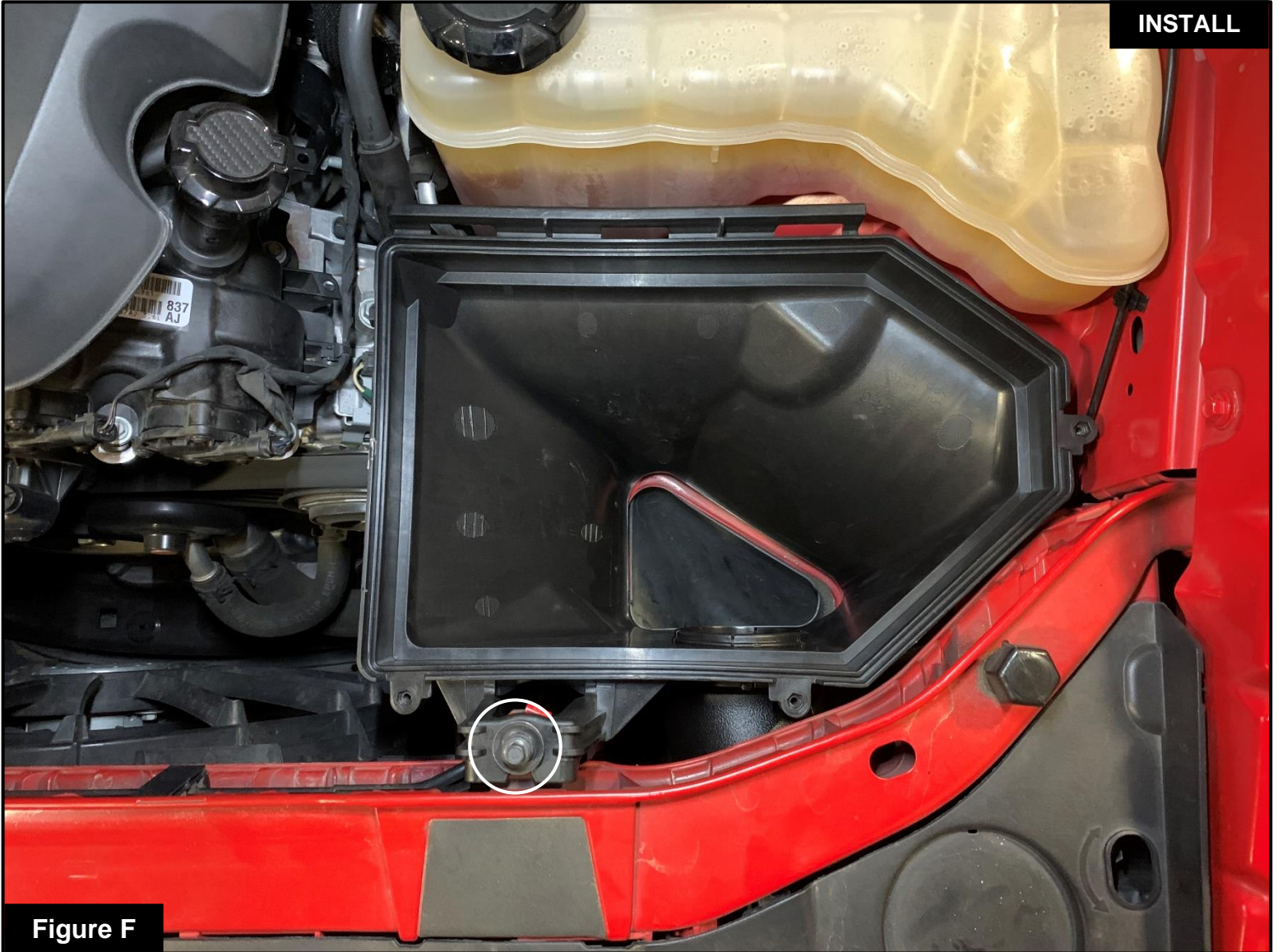
**Figure D****Refer to Figure D for Steps 8-9**

Step 8: Transfer the grommet and sleeve from the bottom of the factory housing to the provided SRT Hellcat housing.

Step 9: Connect the aFe POWER air inlet scoop to the SRT hellcat air box. The aFe POWER Air Inlet Scoop can also be installed onto the headlight then connected to the air box while in the vehicle.

**Figure E****Refer to Figure E for Step 10**

Step 10: If the mounting grommet came with the factory housing, transfer it to the SRT Hellcat housing or place it into the hole on the vehicle. This will prevent the housing from rattling.

**Figure F****Refer to Figure F for Steps 11-12**

Step 11: Install the SRT Hellcat housing and scoop assembly into the vehicle. You can also place the aFe POWER scoop over the headlight and connect it to the SRT Hellcat housing while installing the housing into the vehicle.

Step 12: Make sure the housing sits correctly into the grommet on the fender then secure the housing with the screw removed at step 5.

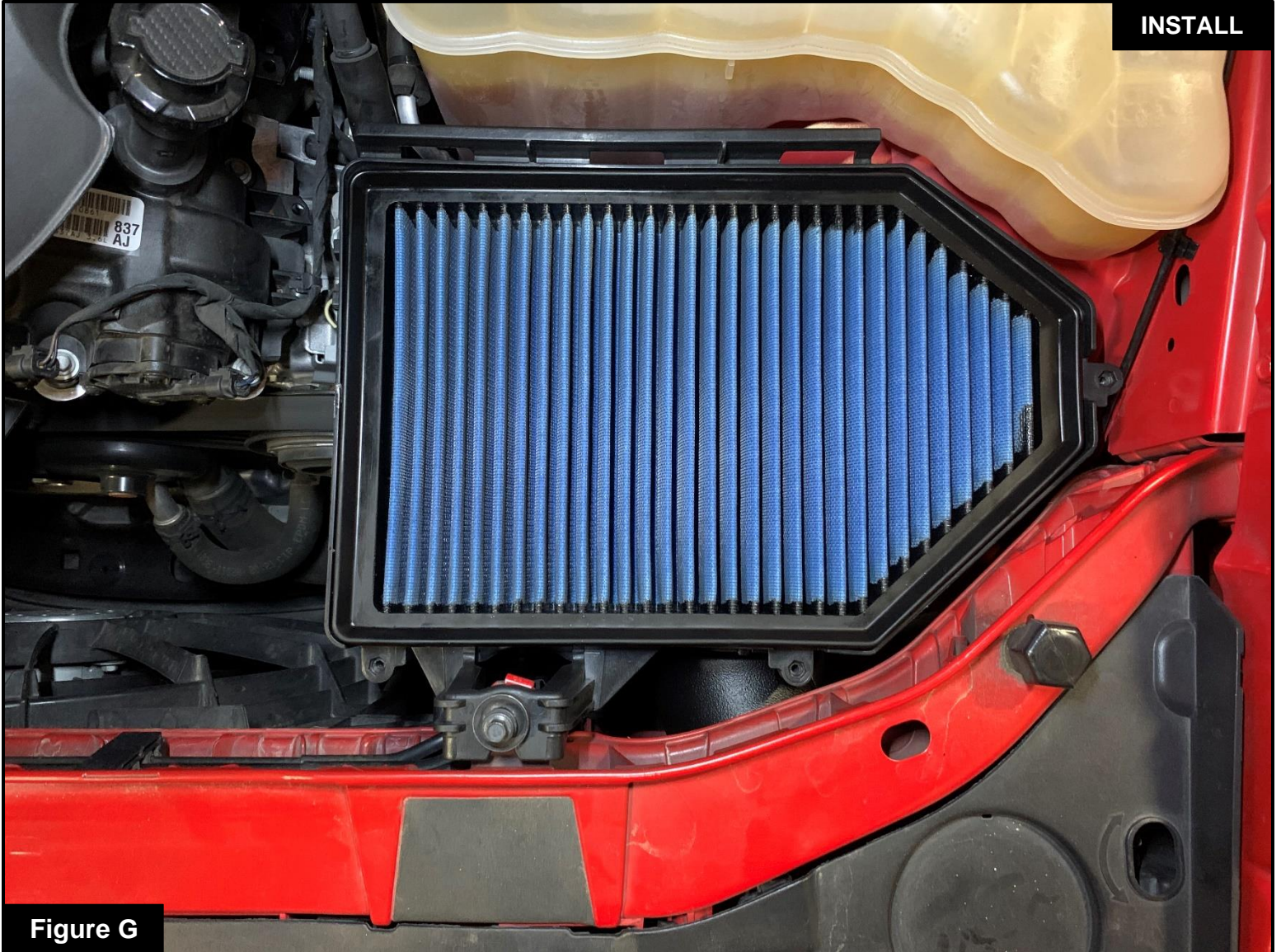


Figure G

Refer to Figure G for Step 13

Step 13: Install the aFe POWER replacement air filter into the housing.

**Figure H**

Refer to Figure H for Steps 14-16

Step 14: Reinstall the upper portion of the factory air box. Connect the tube and close the air box with the three screws. Tighten the clamp on the tube.

Step 15: Reconnect any hose removed from the factory air box.

Step 16: Make sure all clamps and connections are secured. Your installation is now complete. Thank you for choosing aFe POWER!

NOTE: Check all screws, clamps, and connectors are secure after 100-200 miles.



Pro DRY S Air Filter



P/N: 31-10220

Pro 5R Air Filter



P/N: 30-10220

Scoop (Carbon Fiber)



P/N: 54-72203-SF

Scoop (Electric lime)



P/N: 54-72203-SG

Scoop (Blue)



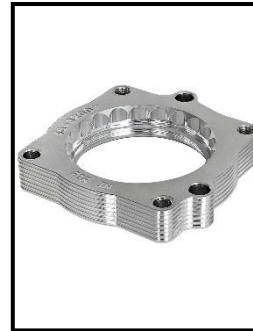
P/N: 54-72203-SL

Scoop (Red)



P/N: 54-72203-SR

Throttle body spacer



P/N: 46-32007

Mechanic Gloves (L)



P/N: 40-10149

Sprint Booster Power Converter



P/N: 77-12002