

advanced FLOW engineering Magnum FORCE Stage-2 Air Intake
Instruction Manual P/N: 51-82952-B / 54-82952-B / 51-82952-C / 54-82952-C

Make: **BMW** Model: **M3 (E90/E91/E92)** Year: **2008-2013** Engine: **V8-4.0L**



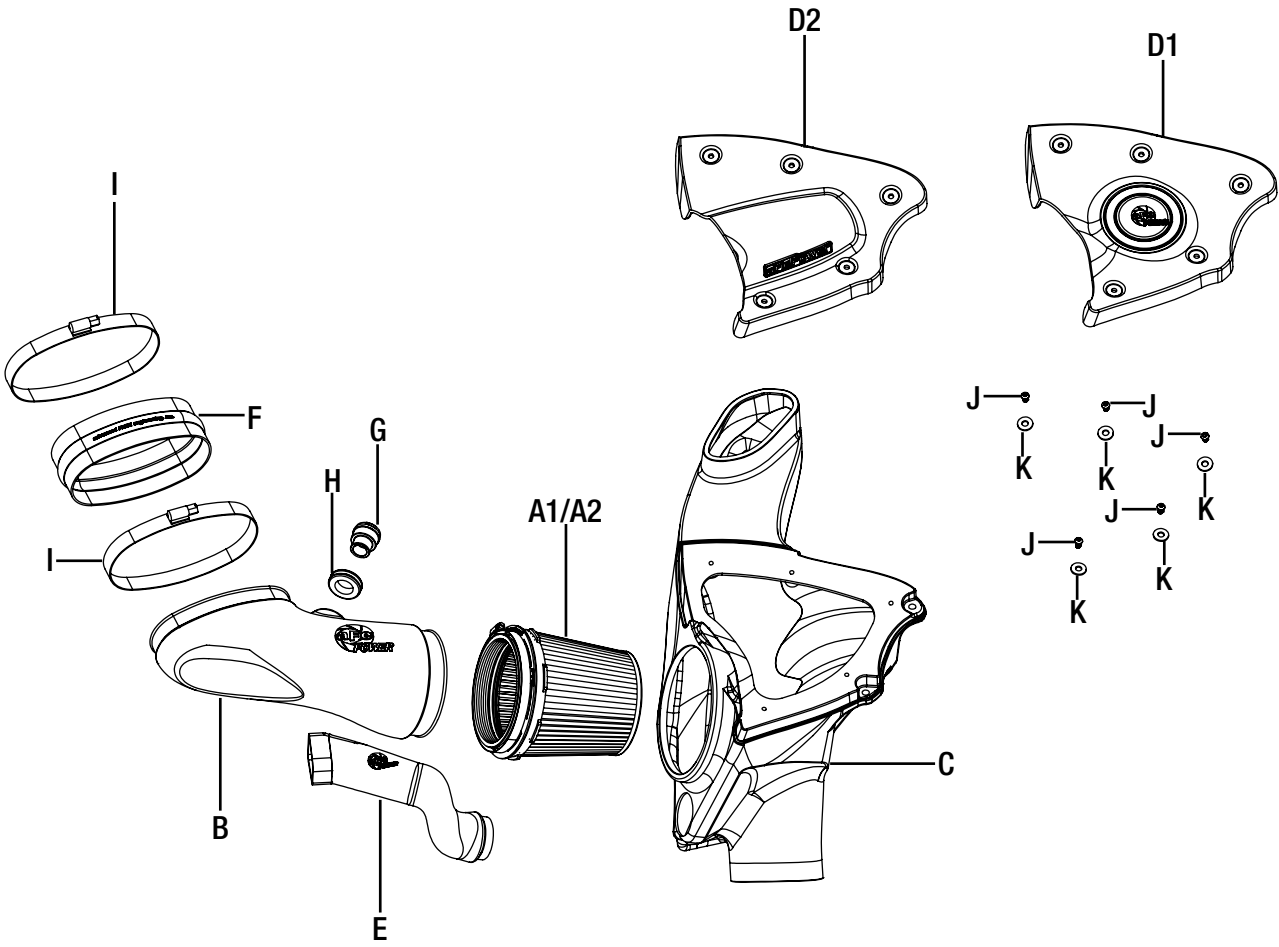
- Please read the entire instruction manual before proceeding.
- Ensure all components listed are present.
- Ensure you have all necessary tools before proceeding.
- Do not attempt to work on your vehicle when the engine is hot.
- Disconnect the negative battery terminal before proceeding.

Retain factory parts for future use.

Label	Qty.	Description	Part Number
A1	1	Air Filter (Pro DRY S)	21-91093
A2	1	Air Filter (Pro 5R)	24-91093
B	1	Tube	05-82952B1
C	1	Housing	05-82952B2
D1	1	Cover, Black	05-82952B3
D2	1	Cover, Carbon Fiber Finish	05-82952C3
E	1	Air Duct	05-82952B4
F	1	Coupling, Silicone Hump	05-01262
G	1	Fitting, Smog Pump	05-01096
H	1	Grommet	03-50139
I	2	Clamp, #104	03-50051
J	5	Screw, Btn Hd: M6	03-50102
K	5	Washer, Flat: M6	03-50070

Installation will require the following tools:

Flat head screwdriver, 8mm nut driver, 10mm nut driver, 4mm hex key.



**Figure A****Refer to Figure A for Steps 1-4.**

- Step 1: Loosen the clamp at the intake manifold. ①
- Step 2: Disconnect the smog pump hose from the OE intake tube. ②
- Step 3: Remove the two 10 mm bolts on the OE airbox, and keep the bolts for later use. ③
- Step 4: Carefully, remove the OE intake tube, airbox, and scoop from the vehicle.



Figure B

Refer to Figure B for Steps 5-7.

Step 5: Install the supplied rubber grommet and smog adaptor into the aFe intake tube. ④

Step 6: Install the tube into the aFe air filter and tighten the clamp. ⑤

Step 7: Slip the supplied coupler over the aFe tube. ⑥

NOTE: For an easier install, slide the coupler as far over the tube as possible.



Figure C

Refer to Figure C for Step 8.

Step 8: Insert the aFe filter and tube assembly into the aFe airbox.



Refer to Figure D for Step 9.

Step 9: Carefully, guide the intake assembly into the engine bay.

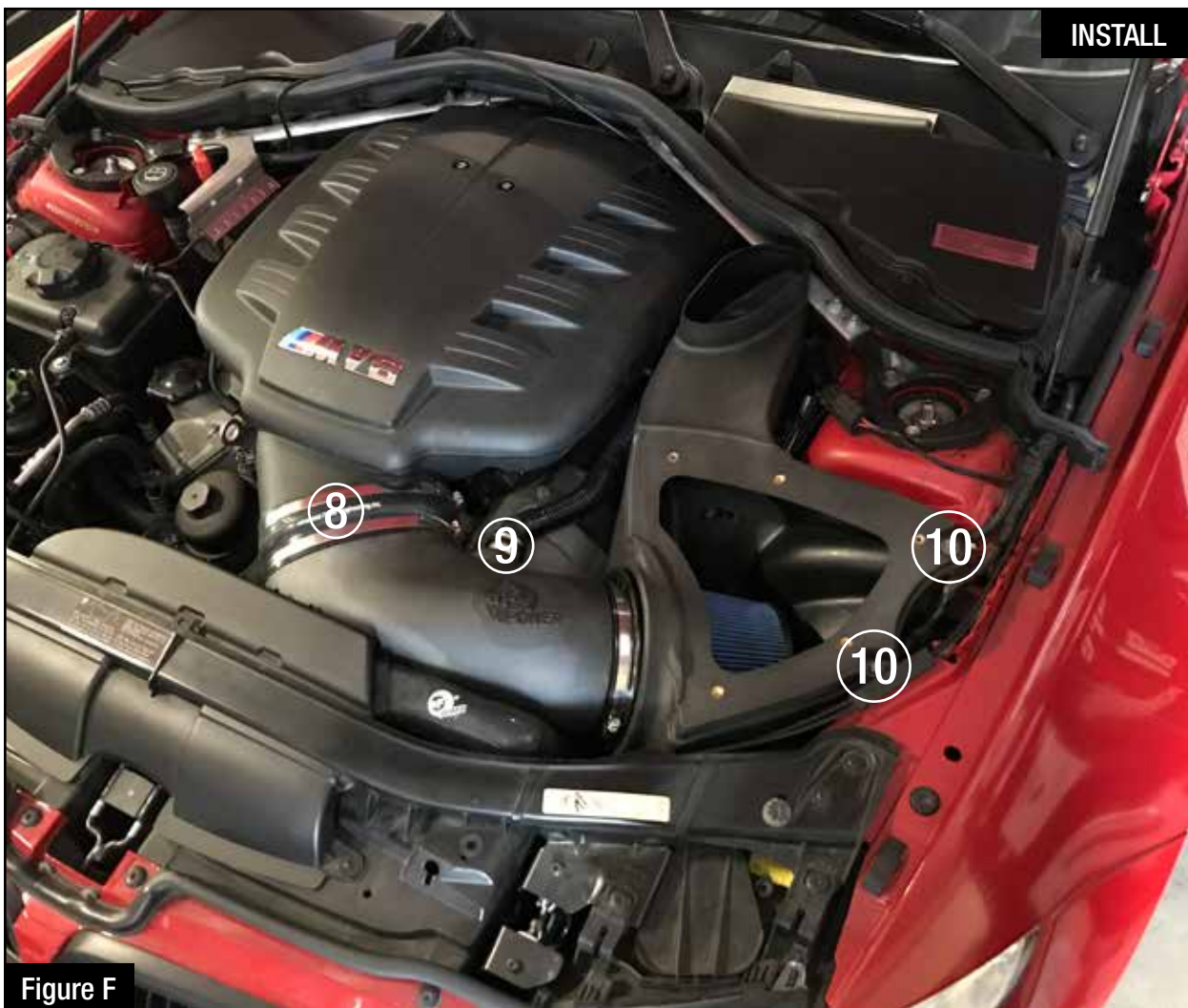
NOTE: It may help to install the coupling and tube over the intake manifold without the supplied clamps first.



Figure E

Refer to Figure E for Step 10.

Step 10: Install the supplied aFe air duct. Slip the square end into the OE air duct first, then slip the round end of the air duct into the aFe airbox. ⑦

**Figure F****Refer to Figure F for Steps 11-13.**

Step 11: Adjust the aFe intake tube and airbox to sit comfortably, then install the two clamps at the intake manifold. ⑧

Step 12: Connect the smog pump hose to the aFe tube. ⑨

Step 13: Install the two 10 mm OE bolts from Step 3, to secure the aFe airbox in place. ⑩



INSTALL



Figure G

Refer to Figure G for Step 14.

Step 14: Install the aFe cover using the supplied M6 screws and washers. Your installation is now complete. Thank you for choosing aFe POWER!

NOTE: Place enclosed CARB EO sticker on a clean/smooth surface on or near the intake system. EO identification label is required in passing the smog check inspection.

NOTE: Check all bolts, clamps, and connectors after 100-200 miles.

Rely on premium performance air intake systems by aFe if you're looking for quality and efficiency.