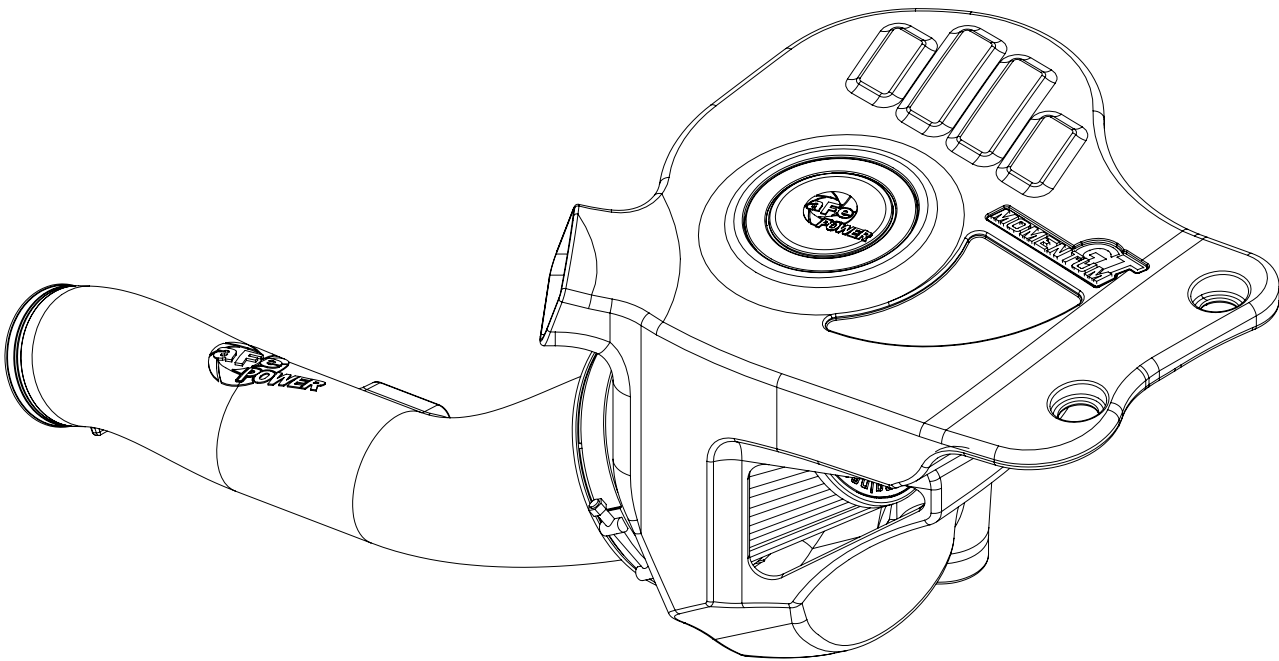


GT
MOMENTUM™



advanced FLOW engineering Momentum GT Intake System

Instruction Manual P/N: 51-76315 / 54-76315

Make: **BMW** Model: **Z4 28i/xi (E89)** Year: **2012-2016** Engine: **L4-2.0L (t) N20**



- Please read the entire instruction manual before proceeding.
- Ensure all components listed are present.
- Ensure you have all necessary tools before proceeding.
- Do not attempt to work on your vehicle when the engine is hot.
- Disconnect the negative battery terminal before proceeding.

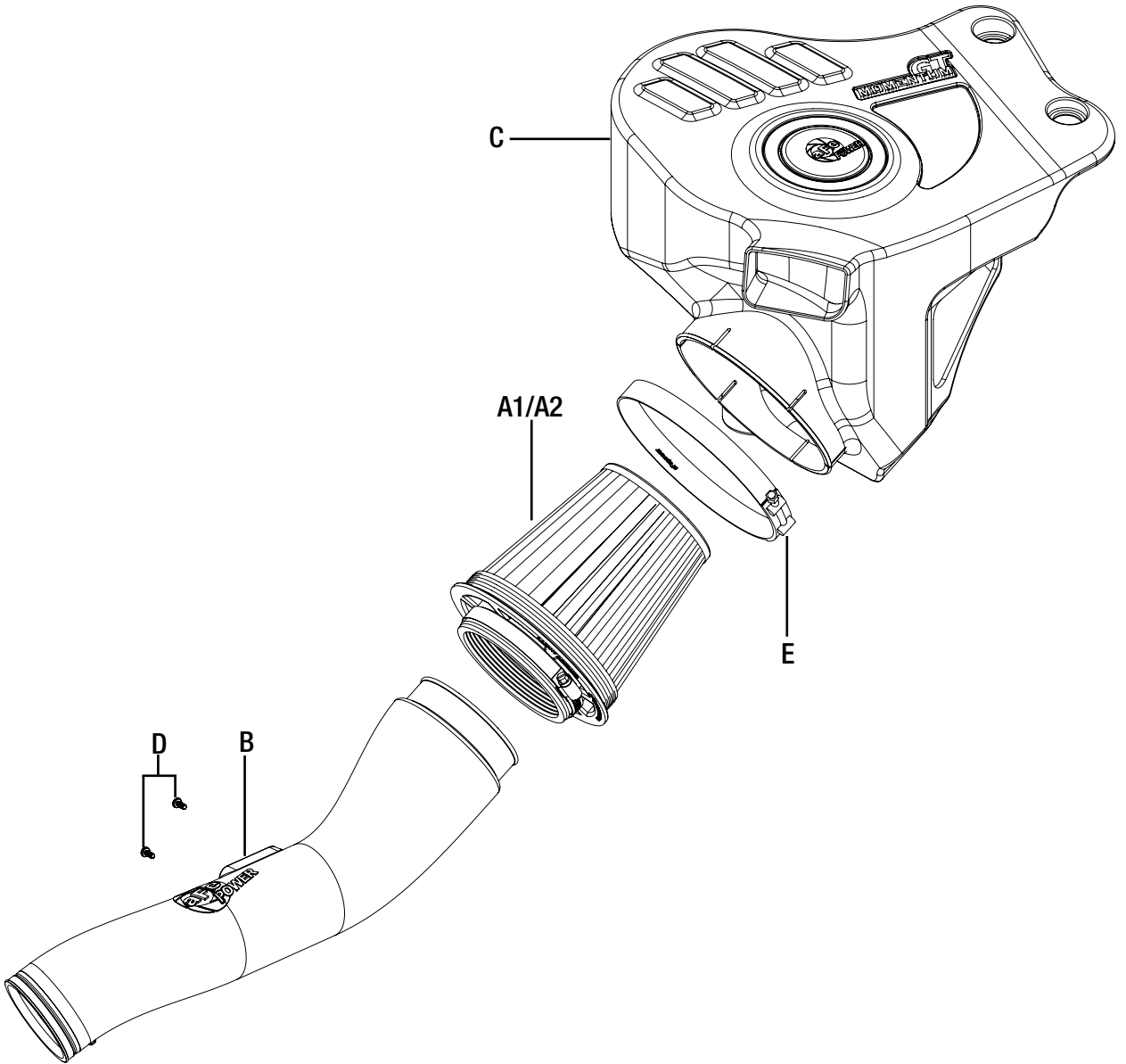
Retain factory parts for future use.

Label	Qty.	Description	Part Number
A1	1	Air Filter (Pro DRY S)	21-91073
A2	1	Air Filter (Pro 5R)	24-91073
B	1	Tube	05-76315B1
C	1	Housing	05-76315B2
D	2	Screw, Torx: M4	03-50489
E	1	Clamp, T-bolt	03-50266

Installation will require the following tools:

Flat head screwdriver, 8mm nut driver, 10mm nut driver, 11mm socket, socket wrench and T20 torx driver.

Note: Legal in California for use on race vehicles only. The use of this device on vehicles used on public streets or highways is strictly prohibited in California and others states that have adopted California emission regulations.





Refer to Figure A for Steps 1-5.

Step 1: Remove the two OE 10mm bolts attaching the OE airbox to the vehicle (1). Keep the bolts for later use.

Step 2: Loosen the clamp joining both intake tubes (2). Keep the clamp for later use.

Step 3: Disconnect MAF sensor from the OE intake. (3)

Step 4: Detach the four clips around the OE airbox. (4)

Step 5: Carefully, remove the front half of the OE airbox, and remove the OE filter. It may help to remove the OE air duct (5).

REMOVAL



Figure B

Refer to Figure B for Step 6.

Step 6: Remove the back half of the OE airbox and the intake tube from the engine bay.



Figure C

Refer to Figure C for Steps 7-8.

Step 7: Insert the aFe filter and supplied clamps into the aFe airbox. Position the clamps as shown, and tighten only the clamp joining the air filter and airbox (6).

Step 8: Transfer the two OE grommets from the OE airbox to the aFe airbox. (7)

**Figure D****Refer to Figure D for Step 9.**

Step 9: Transfer the MAF sensor from the OE intake housing to the aFe intake tube using the supplied M4 screws. ⑧

**Figure E****Refer to Figure E for Steps 10-12.**

Step 10: Carefully guide the aFe tube into the engine bay.

Step 11: Insert the aFe tube into the OE intake tube. Do NOT tighten the OE clamp at this time.

Step 12: Connect the MAF harness to the MAF sensor.

Note: We suggest routing the MAF harness below the oil cooler.

**Figure F****Refer to Figure F for Steps 13-16.**

Step 13: Align the aFe airbox to sit comfortably in the engine bay. If you removed the OE air duct in Step 5, make sure to re-install at this time.

Step 14: Insert, and align the aFe tube into the air filter. Tighten the clamp joining the aFe tube and air filter. Tighten the clamp joining the aFe tube to the OE tube.

Step 15: Install the two OE 10mm bolts from Step 1 to fix the aFe airbox to the vehicle.

Step 16: Verify all connections are secure. Your installation is now complete! Thank you for choosing aFe POWER.