

advanced FLOW engineering

Instruction Manual P/N: 54-76105-S

Make: **Nissan** Model: **Titan XD** Year: **2016-2019** Engine: **V8-5.0L (td) Cummins**



- Please read the entire instruction manual before proceeding.
- Ensure all components listed are present.
- Ensure you have all necessary tools before proceeding.
- Do not attempt to work on your vehicle when the engine is hot.



Retain factory parts for future use.

Label	Qty.	Description	Part Number
A	1	Scoop, Rotomold	05-76105B3
B	1	Retainer Clip	03-50525
C	1	Retainer Clip, 8mm	03-01407

Note: Legal in California for use on race vehicles only. The use of this device on vehicles used on public streets or highways is strictly prohibited in California and others states that have adopted California emission regulations.

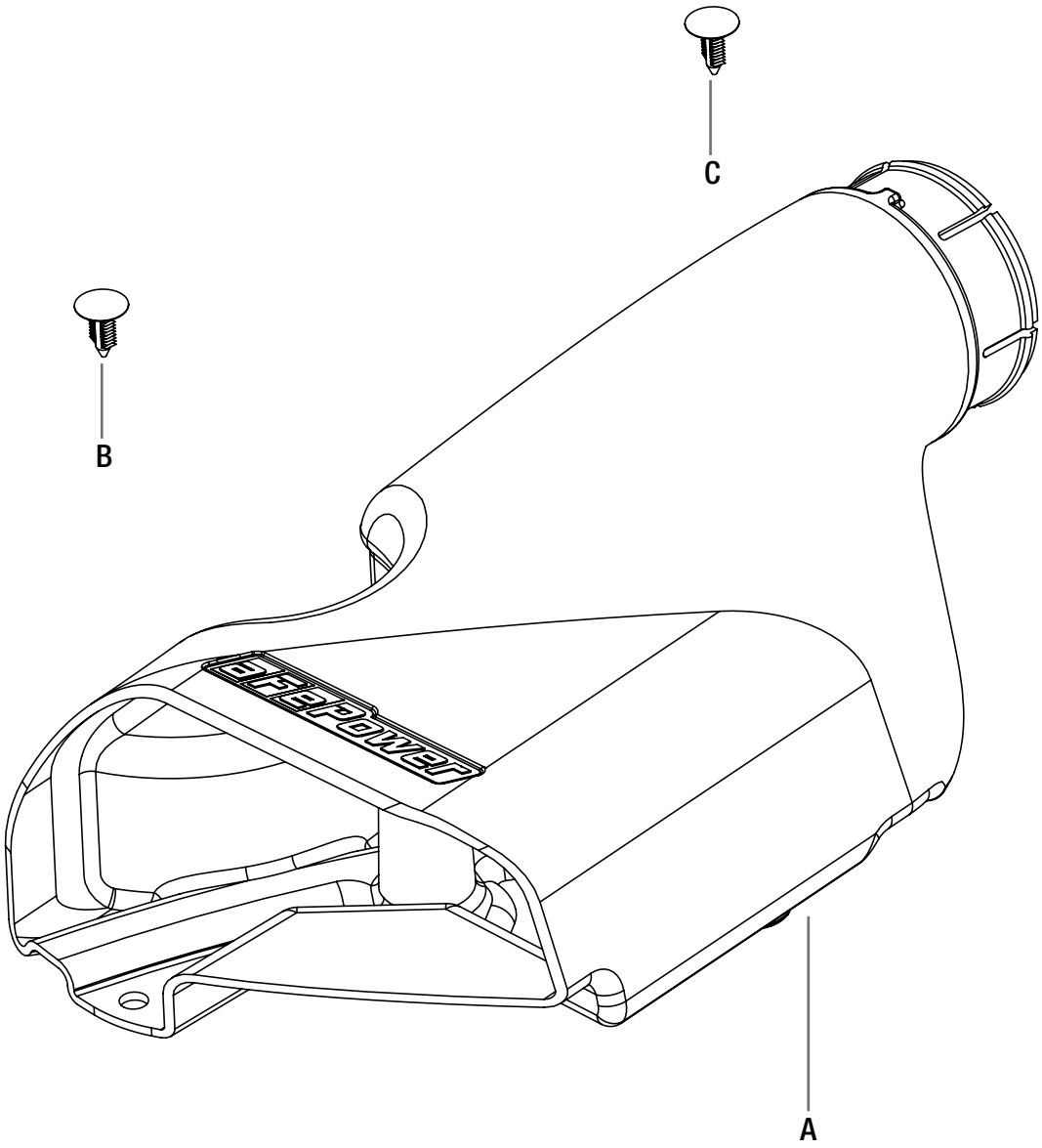




Figure A

Refer to Figure A for Steps 1-3

Step 1: Remove the plug on the housing if installed.

Step 2: Push the aFe scoop into the round opening of the housing.

Step 3: Secure the scoop with the push plastic rivet and the Christmas tree plastic rivet, inside the scoop.

INSTALL



Figure B

Refer to Figure B for Step 4

Step 4: Verify the scoop is secured correctly. The installation is now completed.

Feel the difference with aFe.

Learn more about performance air intake systems we have.