

**advanced FLOW engineering**

**Instruction Manual** P/N: 54-76005-S

---

Make: **Toyota** Model: **Tacoma** Year: **2016-2019** Engine: **V6-3.5L**



- Please read the entire instruction manual before proceeding.
- Ensure all components listed are present.
- If you are missing any of the components, call customer support.
- Ensure you have all necessary tools before proceeding.
- Do not attempt to work on your vehicle when the engine is hot.



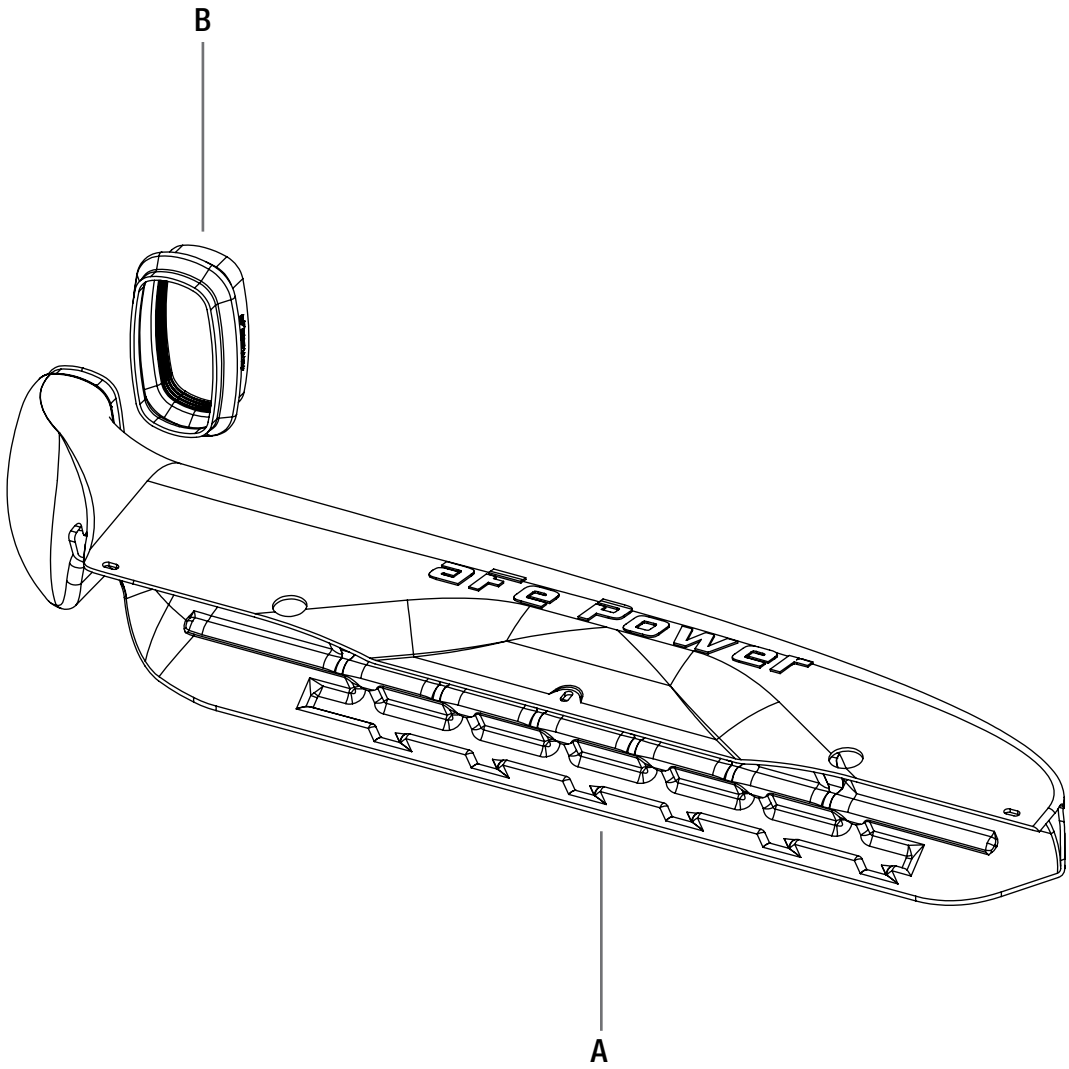
## Retain factory parts for future use.

Label	Qty.	Description	Part Number
A	1	Scoop, Rotomold	05-76005B3
B	1	Coupling, Silicone Hump	05-01401

### Installation will require the following tool(s):

Flathead screwdriver, Needle nose pliers.

Note: Legal in California for use on race vehicles only. The use of this device on vehicles used on public streets or highways is strictly prohibited in California and others states that have adopted California emission regulations.



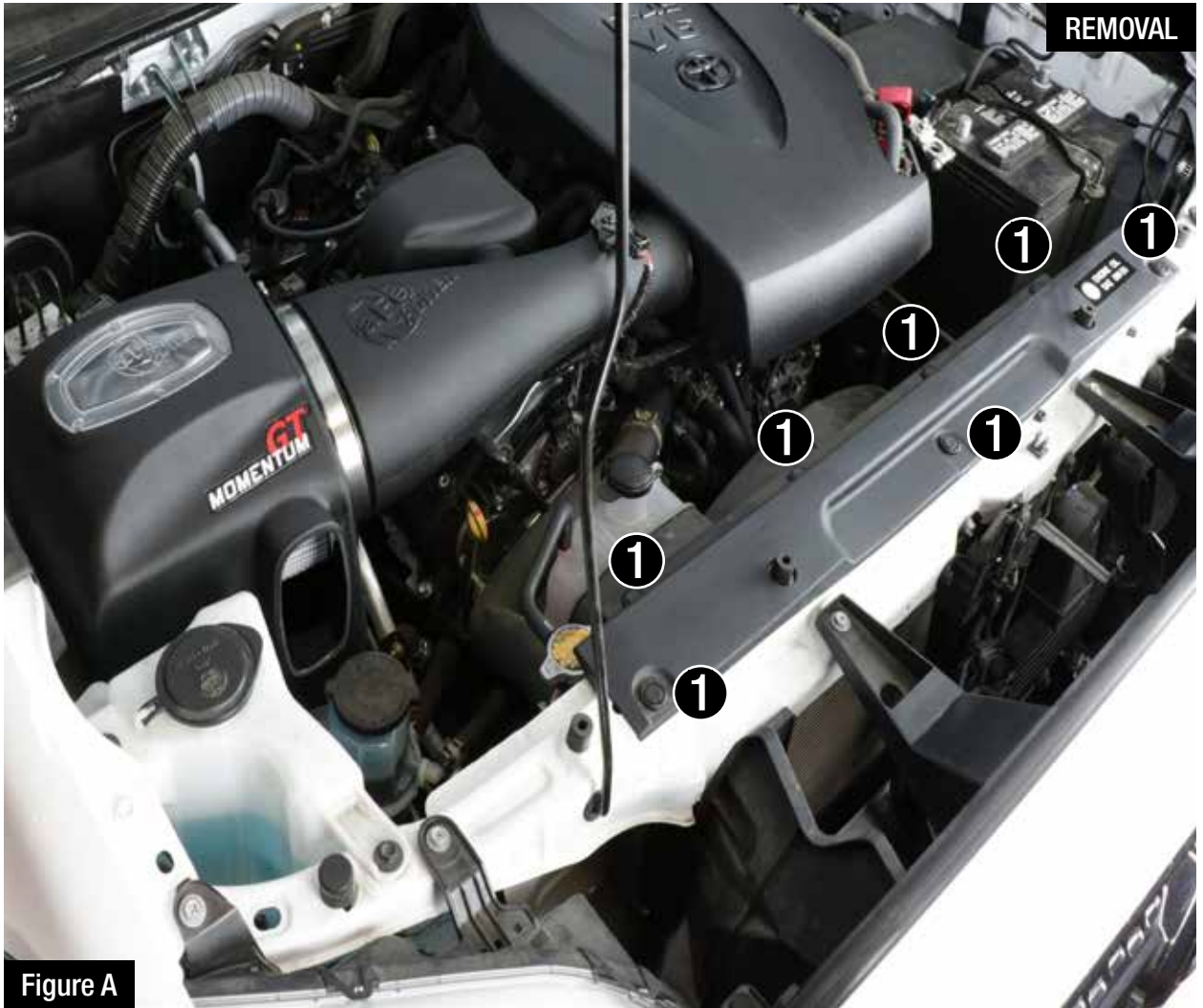


Figure A

**Refer to Figure A for Step 1**

Step 1: Gently remove the push clips ① from the OE plastic radiator support panel. Do this by popping the center pin up first, then pull the entire clip out. Repeat for each of the 7 clips.

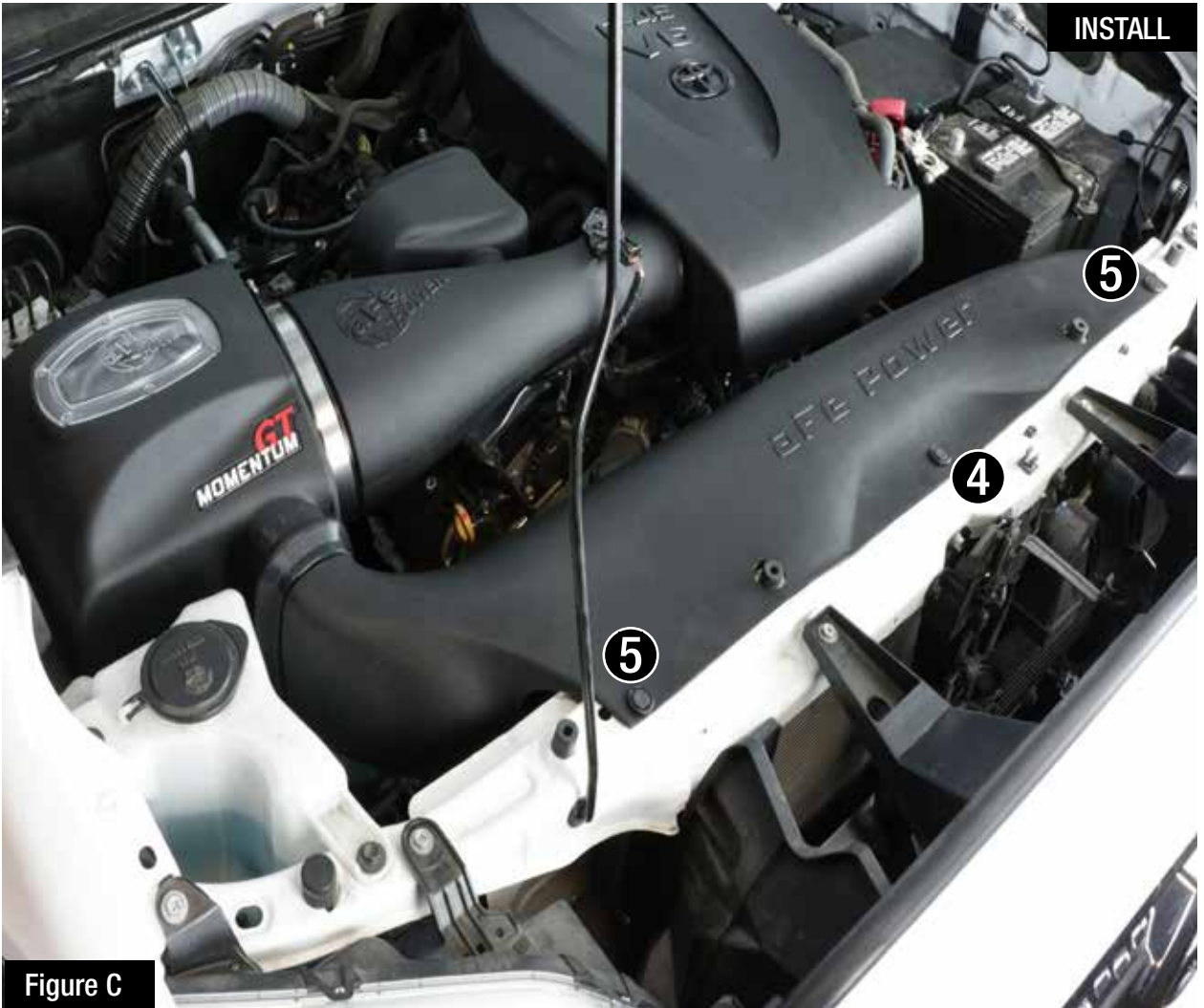
**NOTE: Be careful not to damage the clips as 3 will be reused.**

**Figure B****Refer to Figure B for Steps 2-4**

Step 2: First, lift and remove the OE plastic radiator support panel.

Step 3: With your flathead screwdriver, carefully press in on the side tabs then push the black plastic clip (2) through the metal support.

Step 4: Slide the provided silicone coupling (3) over the aFe air box as shown. The side with the internal ribs should go over the air box.

**Figure C****Refer to Figure C for Steps 5-9**

Step 5: Lower the scoop (passenger side first) into place over the OE plastic clip locations.

Step 6: While lowering the scoop in place, slip the scoop into the open side of the coupling.

Step 7: Locate the centermost slotted hole on the scoop and insert a push clip (4) at this time.

Step 8: Align the scoop with the remaining two slotted holes and insert a push clip in each (5).

Step 9: Double check that the coupling is seated all the way around both the air box and the scoop.

Your installation is now complete.

**NOTE: Check all bolts, clamps, and connectors after 200 miles.**



Momentum GT Intake



P/N: 54-76005 (P5R)  
51-76005 (PDS)  
75-76005 (PG7)

Sway-A-Way Rear Shocks



P/N: 102-0052-01 (Rear)

Sway-A-Way Coilovers



P/N: 101-5200-03 (Front)

Front Coilovers w/ Remote



P/N: 101-5600-15 (Front)

Throttle Body Spacer



P/N: 46-38010

Cat-Back Exhaust System



P/N: 49-46026-B (Blk Tip)  
49-46026-P (Pol Tip)

Side-Exit Exhaust System



P/N: 49-46032-B (Blk Tips)  
49-46032-P (Pol Tips)

aFe T-Shirt



P/N: 40-30441-B (S)  
40-30442-B (M)  
40-30443-B (L)  
40-30444-B (XL)  
40-30445-B (2XL)  
40-30446-B (3XL)

Sway-A-Way T-Shirt



P/N: 40-30471-B (S)  
40-30472-B (M)  
40-30473-B (L)  
40-30474-B (XL)