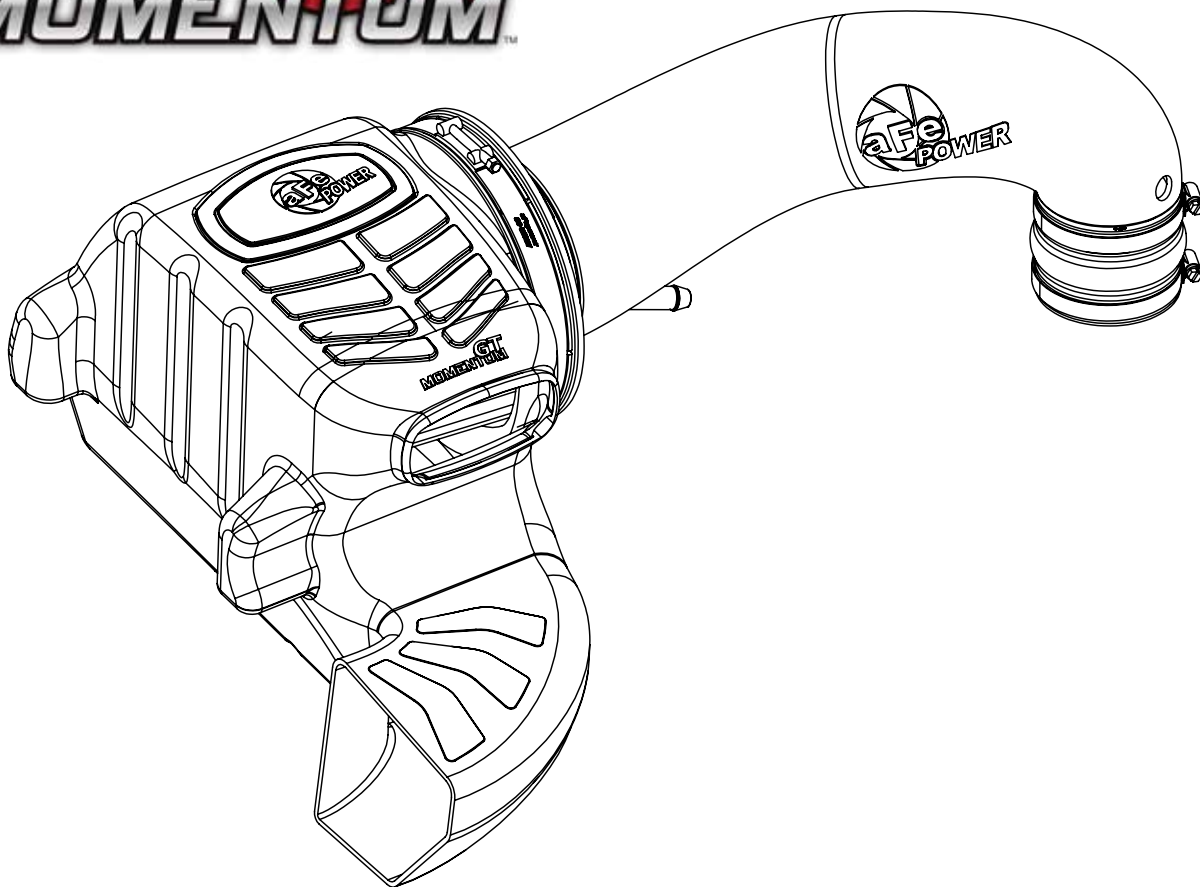


GT
MOMENTUM™



advanced FLOW engineering Momentum GT Cold Air Intake System

Instruction Manual P/N: 51-72102 / 54-72102

Make: **Dodge/RAM** Model: **1500/1500 Classic** Year: **2009-2019** Engine: **V8-5.7L HEMI**



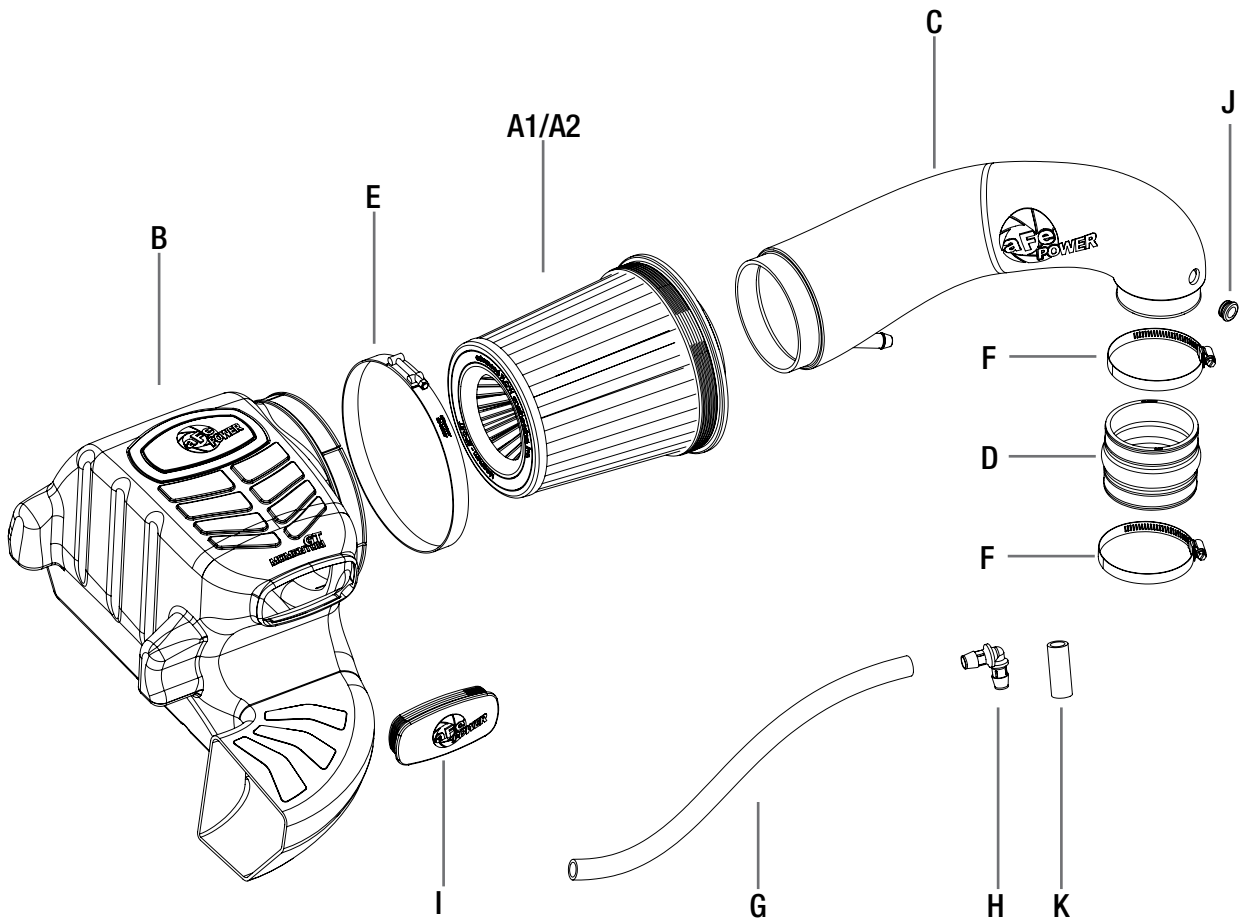
- Please read the entire instruction manual before proceeding.
- Ensure all components listed are present.
- If you are missing any of the components, call customer support.
- Ensure you have all necessary tools before proceeding.
- Do not attempt to work on your vehicle when the engine is hot.
- Disconnect the negative battery terminal before proceeding.

Retain factory parts for future use.

Label	Qty.	Description	Part Number
A1	1	Pro DRY S Air Filter	21-91072 (Gray Media)
A2	1	Pro 5R Air Filter	24-91072 (Blue Media)
B	1	Housing	05-72102B2
C	1	Tube	05-72102B1
D	1	Coupling Silicone Hump	05-01264
E	1	Clamp, T-bolt	03-50267
F	2	Clamp, #056	03-50009
G	1	Hose, Fuel: 5/8"ID (2 inches)	05-00069
H	1	Fitting, Elbow: 5/8"	03-50165
I	1	Plug	05-01202
J	1	Grommet	03-50033
K	1	Hose, Fuel: 5/8"ID (24 inches)	05-00069

Installation will require the following tools:

1/4" ratchet, 10mm deep socket, 8mm or 5/16" driver.



**Figure A****Refer to Figure A for steps 1-3**

Step 1: Disconnect temperature sensor harness ①.

Step 2: Remove and save temperature sensor using a ¼ turn counter-clockwise twist. Do not damage.

Step 3: Loosen the inlet tube clamps and remove tube.



Figure B

Refer to Figure B for steps 4-6

Step 4: Remove Engine cover.

Step 5: Remove vent tube from air box and engine vent (2).

Step 6: Lift air box up and rotate towards the front for the scoop to clear the air condition lines (3).



Figure C

Refer to Figure C for step 7

Step 7: Transfer 3 of the rubber mounting grommets from the OE air box to the aFe filter housing as shown (4).



Figure D

Refer to Figure D for steps 8-10

Step 8: Start housing installation as shown in the left picture.

Step 9: Lower the aFe filter housing into position with the scoop pointed downward and rotate to clear the air condition lines.

Step 10: Slip over the mounting pegs and firmly press down to seat housing.

**Figure E****Refer to Figure E for steps 11-13**

Step 11: Install large T-bolt clamp on aFe Momentum housing as shown (5).

Step 12: Install air filter into housing as shown and tighten large T-bolt clamp.

Step 13: Slide smaller T-bolt clamp over filter flange as shown but do not tighten at this time (6).

**Figure G****Refer to Figure G for step 14**

Step 14: Install the provided sensor grommet into the aFe inlet tube and carefully push in the sensor ⑦.

Note: It may help to apply a small amount of lubricant to the inside of the rubber grommet.


Figure H

Refer to Figure H for step 15

Step 15: Install the provided 5/8 x 2 1/4 hose (8), 5/8 elbow (9), and 5/8 x 24" hose (10) onto the engine vent fitting.

Note: Use a lubricant on both ends of elbow.



Figure I

Refer to Figure I for steps 16-17

Step 16: Reinstall engine cover.

Step 17: Place hump coupler and (2) #056 clamps onto throttle body, do not tighten at this time (11)



Refer to Figure J for steps 19-21

Step 19: Install aFe intake tube in filter first then insert smaller tube end into 3-1/2" coupling.

Step 20: Connect vent hose by reaching under engine cover and pushing onto tube vent (12).

Step 21: Tighten all clamps.

Note: Use a lubricant on outside of tube vent.



Figure K

Refer to Figure K for step 22

Step 22: Reconnect temperature sensor harness ⑬.

NOTE: Place the included CARB EO sticker on or near the device on a smooth, clean surface. EO identification label is required to pass the smog inspection.



PRO DRY S Air Filter



P/N: 21-91072

PRO 5R Air Filter



P/N: 24-91072

Pro DRY S Restore Kit



P/N: 90-50001

Blue Squeeze Restore Kit



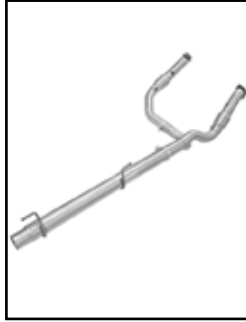
P/N: 90-50501

Shorty Headers



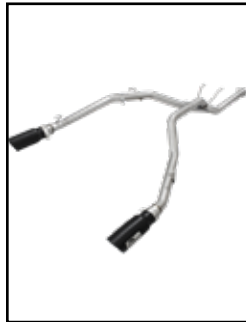
P/N: 48-42001

Y-Pipe Exhaust



P/N: 49-02003 (Street)
49-42004 (Race)

Cat-Back Exhaust



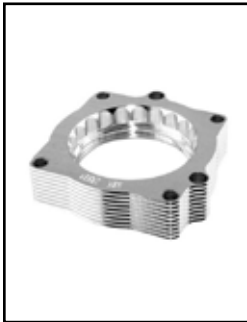
P/N: 49-42041-B (Black)
49-42041-P (Polish)

Rear Differential Cover



P/N: 46-70272 (Black)
46-70270 (Raw)

Throttle Body Spacer



P/N: 46-32005