

advanced FLOW engineering Stage-2 Air Intake System

Instruction Manual P/N: 54-13025D / 54-13025R

Make: **Ford** Model: **Explorer Sport** Year: **2012-2017** Engine: **V6-3.5L (tt) EcoBoost**
Make: **Ford** Model: **Taurus SHO** Year: **2010-2018** Engine: **V6-3.5L (tt) EcoBoost**
Make: **Lincoln** Model: **MKS** Year: **2009-2016** Engine: **V6-3.5L (tt) EcoBoost**



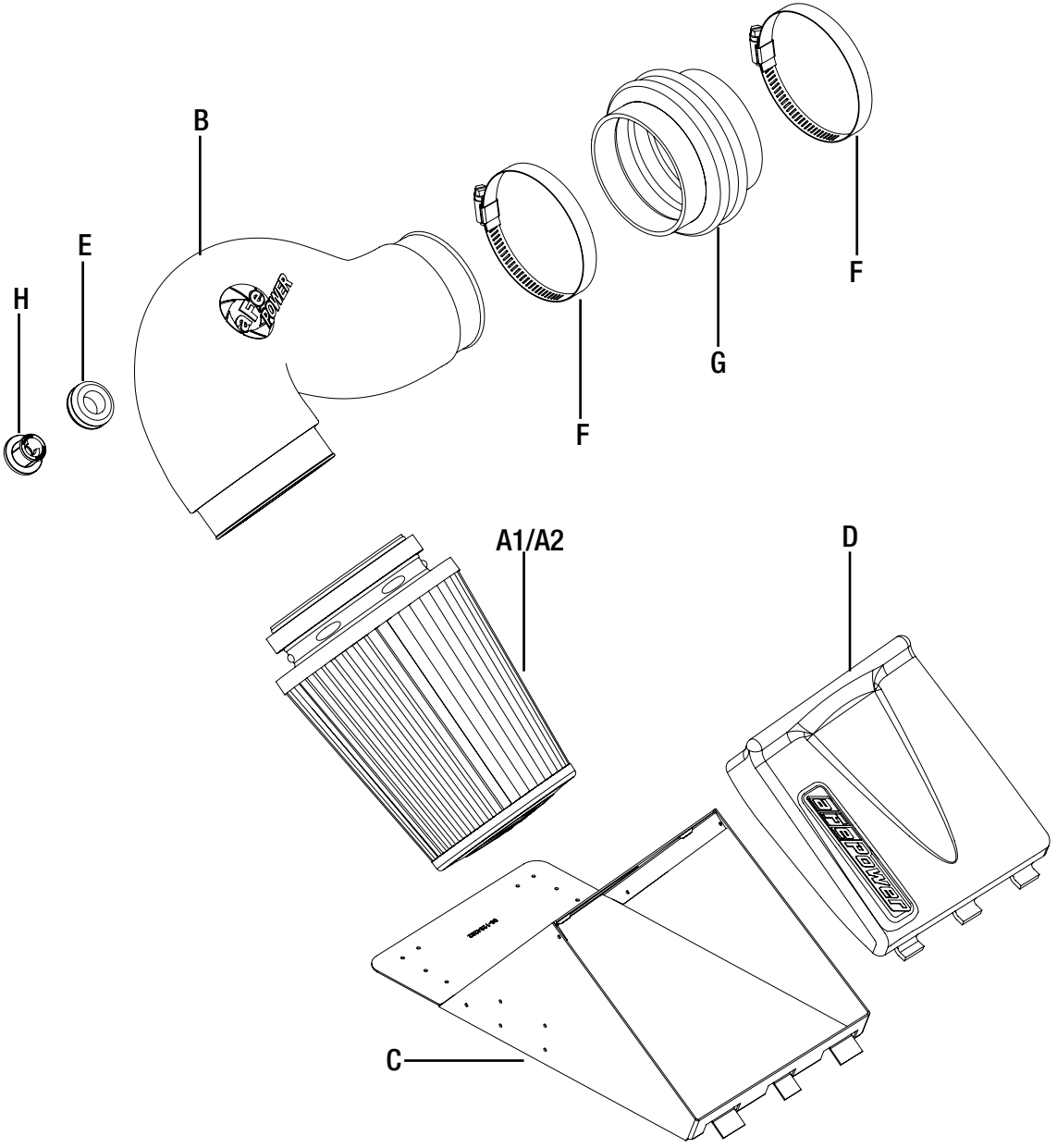
- Please read the entire instruction manual before proceeding.
- Ensure all components listed are present.
- Ensure you have all necessary tools before proceeding.
- Do not attempt to work on your vehicle when the engine is hot.
- Disconnect the negative battery terminal before proceeding.
- Retain factory parts for future use.

Label	Qty.	Description	Part Number
A1	1	Air Filter (Pro DRY S)	21-90095
A2	1	Air Filter (Pro 5R)	24-90095
B	1	Tube	05-12622B3
C	1	Housing	05-12622B2
D	1	Cover	05-12842B3
E	1	Grommet	03-50050
F	2	Clamp, #056	03-50009
G	1	Coupling, Silicone Bellow	05-01389
H	1	Fitting, Air Temp Sensor	05-01454

Installation will require the following tools:

8mm Nut Driver, 10mm wrench or deep socket.

Note: Legal in California for use on race vehicles only. The use of this device on vehicles used on public streets or highways is strictly prohibited in California and others states that have adopted California emission regulations.





Refer to Figure A for Steps 1-4

- Step 1: Disconnect wire harness from temperature sensor.
- Step 2: Remove plastic harness tie from corner of airbox lid.
- Step 3: Loosen rear clamp on rubber intake tube.
- Step 4: Undo the 2 latches and remove airbox cover, tube and filter.



Figure B

Refer to Figure B for Step 5

Step 5: Remove temp sensor from factory tube by turning $\frac{1}{4}$ turn counter-clockwise. Be careful not to damage the sensor.



Refer to Figure C for Steps 6-7

Step 6: Insert rubber grommet into hole on the aFe intake tube.

Step 7: Insert temp sensor into grommet.



Figure D

Refer to Figure D for Step 8.

Step 8: Install the filter into the housing.



Figure E

Refer to Figure E for Step 9

Step 9: Install housing and filter assembly and fasten clips, it may be necessary to loosen the 2 battery hold-down nuts and slide the battery rearward for extra room.



Figure F

Refer to Figure F for Steps 10-12

Step 10: Install coupler onto inlet tube with the supplied clamps, but do not fully tighten.

Step 11: Install the aFe intake tube and tighten all clamps. Re-connect the temp sensor harness.
Check all the components are tight and secure. Your installation is now complete.

NOTE: Check all bolts, clamps, and connectors after 100-200 miles.



Pro DRY S Air Filter



P/N: 21-90095

Pro 5R Air Filter



P/N: 24-90095

Pro DRY S Restore Kit



P/N: 90-59999

Blue Squeeze Restore Kit



P/N: 90-50501

Throttle Body Spacer



P/N: 46-33018 (Explorer Only!)

Oil Filter



P/N: 44-LF025

Sprint Booster V3



P/N: 77-13001

Carbon Fiber Look
Housing Cover



P/N: 54-12848-C

Check out the collection of performance air intake systems we offer.