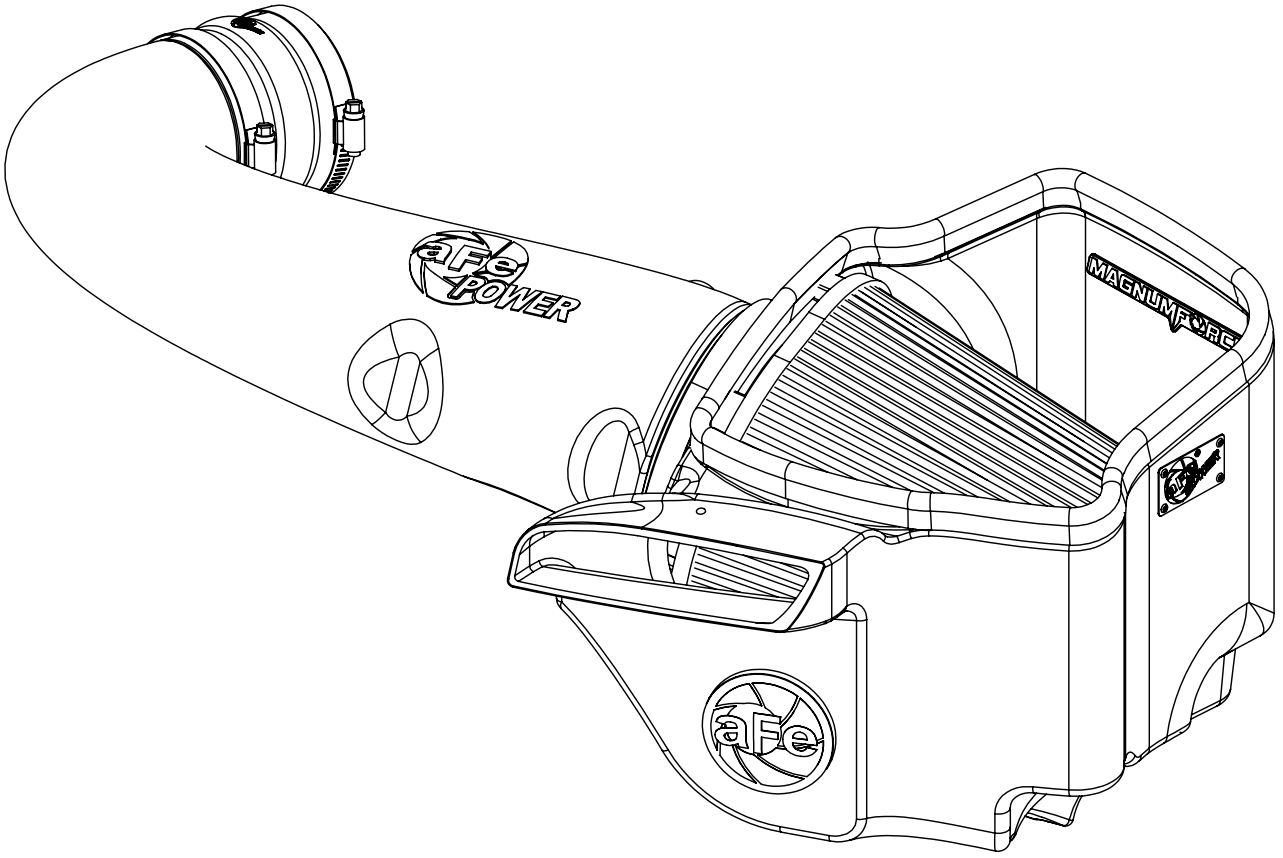


MAGNUM FORCE



advanced FLOW engineering Magnum FORCE Stage-2 Cold Air Intake System

Instruction Manual P/N: 54-13023D / 54-13023R

Make: **Jeep** Model: **Grand Cherokee (WK2)** Year: **2011-2019**
Make: **Dodge** Model: **Durango** Year: **2011-2019**

Engine: **V8-5.7L HEMI**
Engine: **V8-5.7L HEMI**



- Please read the entire instruction manual before proceeding.
- Ensure all components listed are present.
- If you are missing any of the components.
- Ensure you have all necessary tools before proceeding.
- Do not attempt to work on your vehicle when the engine is hot.
- Disconnect the negative battery terminal before proceeding.

Retain factory parts for future use.

Label	Qty.	Description	Part Number
A1	1	Air Filter (Pro DRY S)	21-91146
A2	1	Air Filter (Pro 5R)	24-91146
B	1	Housing	05-5413023B2
C	1	Tube	05-5413023B1
D	1	Coupling, Silicone Hump	05-01264
E	2	Clamp, #056	03-50009
F	1	Grommet, Rubber	03-50167
G	1	Fitting, Air Temp Sensor	05-01454
H	1	Plug, Air Box	05-01482
I	1	Seal, Trim (34" inches)	05-00072

Tools Required: 8mm nut driver.

Recommended: panel popper and flat head screwdriver.

Emissions Disclaimer: This product is not currently CARB exempt and is not available for purchase in California or for use on any vehicle registered with the California Department of Motor Vehicles.

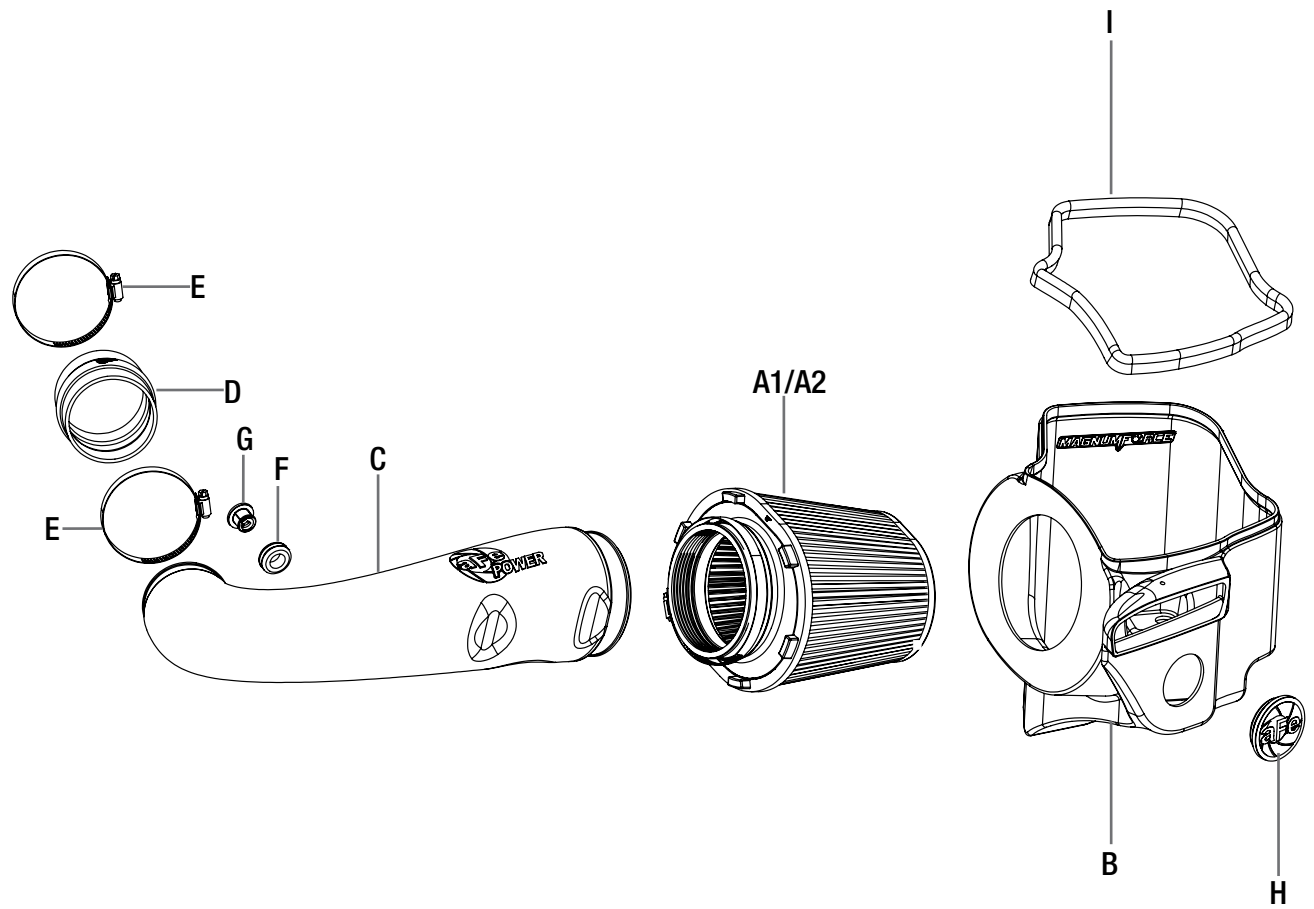




Figure A

Refer to Figure A for Step 1

Step 1: Remove the engine cover by pulling straight up.



Figure B

Refer to Figure B for Steps 2-6

Step 2: Using an 8mm nut driver, remove the support screw. ①

Step 3: Disconnect the temperature sensor harness from the temperature sensor by pinching and firmly pulling away. ②

Step 4: Remove the crank-case vent (CCV) hose from the factory airbox and tuck out of the way. ③

Step 5: With the 8mm nut driver, loosen the band clamp at the throttle body. ④

Step 6: If equipped, unclip the vent hose on the backside of the factory airbox.

**Figure C****Refer to Figure C for Steps 7-8**

Step 7: Carefully pull up and remove the trim seal on top of the factory intake scoop, along with 1-2 clips on either side. This helps with removing the factory airbox and installation of the aFe POWER housing. ⑤

Note: It may help to use a panel popper when pulling the clips.

Step 8: Pull the factory intake tube off the throttle body and pull up to remove the entire factory intake.



Figure D

FIGURE 1

Refer to Figure D for Steps 9-12

Step 9: Transfer the three factory rubber grommets from the factory airbox to the aFe POWER housing as shown in Figure 1. (6)

Step 10: Pre-assemble the aFe POWER housing by inserting the aFe POWER filter. (7)

Step 11: Install the supplied trim seal on the aFe POWER housing. (8)

Step 12: If desired, install the supplied aFe POWER plug. (9)

NOTE: Without the plug installed, the aFe POWER intake will capture the maximum air available. More airflow offers more power. Some of this air is picked up from inside the engine compartment and could be warmer air. Warmer air will affect the performance of the vehicle.



Figure E

Refer to Figure E for Step 13

Step 13: Install the housing assembly into the vehicle.



Figure F

Refer to Figure F for Step 14

Step 14: Pre-assemble the aFe POWER intake tube by inserting the supplied rubber grommet and temp sensor fitting. Transfer the temp sensor (10) from the factory tube to the fitting on the aFe POWER tube. Turn it clockwise until it locks in place.

**Figure G****Refer to Figure G for Steps 15-16**

Step 15: Install the supplied coupling over the throttle body. Slide one clamp over the throttle body.

Tighten clamp using 8mm nut driver. ⑪

Step 16: Slip the other supplied clamp over the other end of the coupler, but do not tighten at this time.



Figure H

Refer to Figure H for Steps 17-22

Step 17: Insert tube into filter first. Then, rotate tube down and insert the other end into the hump coupler. Align the tube to the filter and coupler, then tighten all clamps.

Step 18: Reconnect temp. sensor harness. ⑫

Step 19: Reconnect CCV hose to aFe POWER tube. ⑬

Step 20: Re-install rubber trim seal into factory locations and onto the aFe POWER housing. ⑭

Step 21: Re-install engine cover.

Step 22: Check all the components are tight and secure. Your installation is now complete. Thank you for choosing aFe POWER.

NOTE: Check all bolts, clamps, and connectors after 100-200 miles.