

advanced FLOW engineering Magnum FORCE Stage-2 Air Intake System

Instruction Manual P/N: 54-13019D/R

Make: **Ford** Model: **F-150** Year: **2018-2019** Engine: **V6-3.3L**

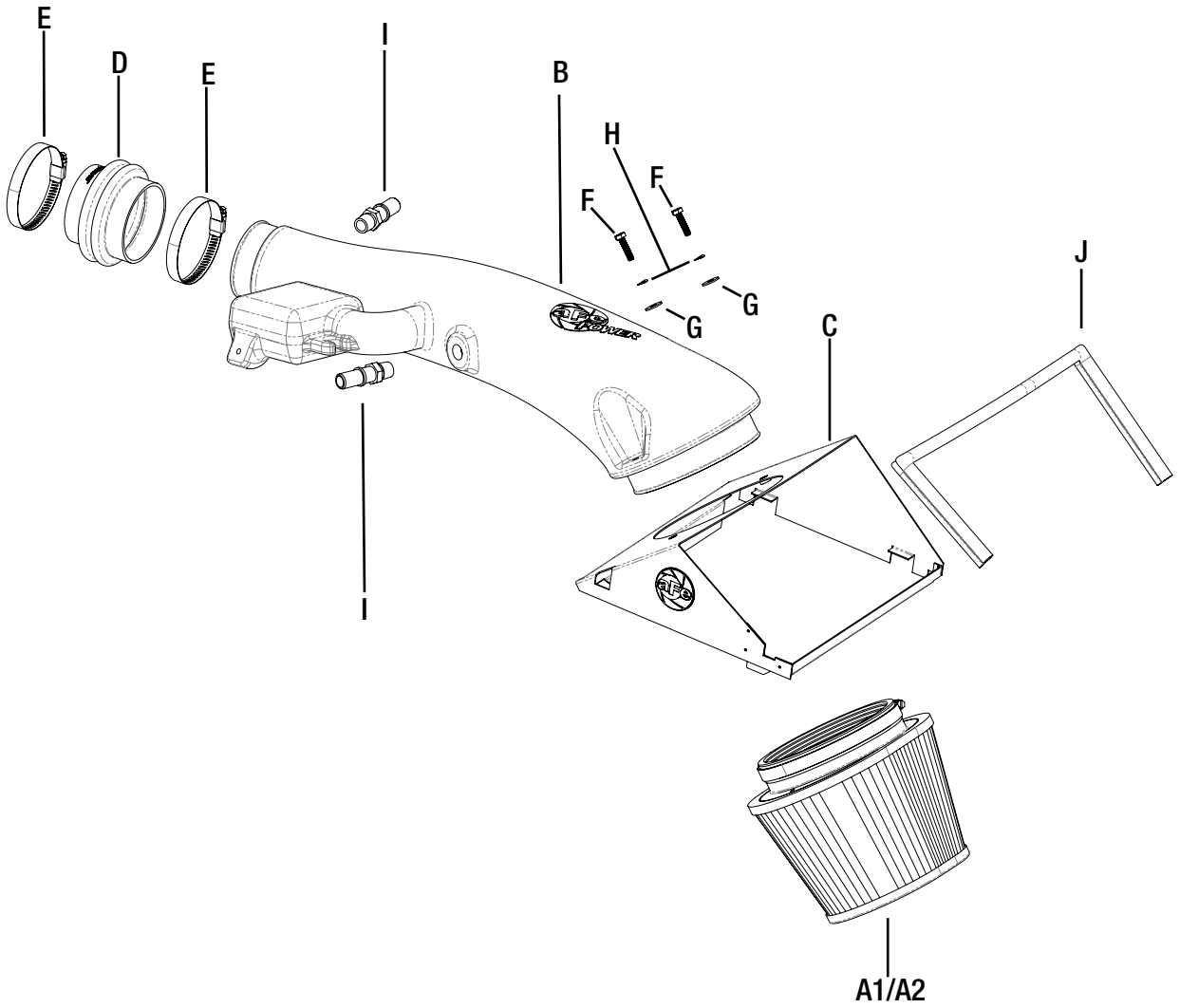


- Please read the entire instruction manual before proceeding.
- Ensure all components listed are present.
- Ensure you have all necessary tools before proceeding.
- Do not attempt to work on your vehicle when the engine is hot.
- Disconnect the negative battery terminal before proceeding.
- Retain factory parts for future use.

Label	Qty.	Description	Part Number
A1	1	Air Filter (Pro DRY S)	21-91040
A2	1	Air Filter (Pro 5R)	24-91040
B	1	Tube	05-5413019B1
C	1	Housing	05-32642B2
D	1	Coupler, Silicone: 3-1/4"ID x 3"L	05-01480
E	2	Clamp, 2-5/16" - 3-1/4"	03-50019
F	2	Screw: M6	03-50114
G	2	Washer, Flat: M6	03-50070
H	2	Lock Washer: M6	03-50071
I	2	Fitting, Vent Tube (large)	05-01339
J	1	Seal, Trim (23")	05-00072

Tools needed: 7mm nut driver, 8mm nut driver, 10mm nut driver or deep socket, and adjustable wrench.

Note: Legal in California for use on race vehicles only. The use of this device on vehicles used on public streets or highways is strictly prohibited in California and others states that have adopted California emission regulations.





REMOVAL

Figure A

Refer to Figure A for Steps 1-2

Step 1: Loosen the clamp at the throttle body with a 7mm nut driver.

Step 2: Unclip the two latches on the air box.

**Figure B****Refer to Figure B for Steps 3-5**

Step 3: Disconnect the two hose connectors on the intake tube. ①

One hose connector can be removed by lifting the yellow tabs up, pushing the retainer clip out, and then pulling back on the hose. The other hose connector has a spiral tab which must be lifted up and then twisted slightly while removing the connector.

Step 4: Carefully remove the hose-clip from the front of the intake tube. ②

Step 5: Pull the coolant hose out of the clip on the front of the intake tube.



Refer to Figure C for Steps 6-7

Step 6: Remove the intake tube from the vehicle and store it in a safe place.

Step 7: Remove the paper air filter from the airbox and store it in a safe place.

**Figure D****Refer to Figure D for Steps 8-9**

Step 8: Wrap the threads of the billet aluminum fittings with Teflon tape prior to install.

Step 9: Use an adjustable wrench to tighten the two fittings, but do not over tighten.

There will be a gap between the hex and the intake tube even after the fitting is fully tightened.



Figure E

Refer to Figure E for Steps 10-11

Step 10: Place the tube into the housing as shown.

Step 11: Use a flat washer, lock washer, and bolt in each of the two holes to secure the tube to the housing. Tighten the screws with a 10mm nut driver or a socket.

**Figure F****Refer to Figure F for Steps 12-13**

Step 12: Install the trim seal onto the housing as shown. It may help to notch the lower half of the trim seal to route it around the 90-degree corners. This can be easily done with a pair of tin snips or wire cutters.

Step 13: Install the aFe air filter onto the end of the tube and align it so that the flat part of the filter is parallel to the thin bar on the front of the aFe housing. Tighten the clamp on the filter with an 8mm nut driver.



Figure G

Refer to Figure G for Steps 14-15

Step 14: Place the two clamps over the ends of the new aFe coupler and install it onto the end of the intake tube.

Step 15: Install the intake into the vehicle by placing the coupler over the throttle body as shown and then aligning the aFe housing with the lower half of the stock air box.

**Figure H****Refer to Figure H for Steps 16-17**

Step 16: After the housing is aligned with the air box, fasten the two latches on the front of the intake housing.

Step 17: It may be necessary to lift the trim seal up to fasten the latch closest to the fender, so after the latch is in place, reinstall the trim seal.

**Figure I****Refer to Figure I for Steps 18-20**

- Step 18: Reconnect the two hose connectors to the new billet aluminum fittings. The grey connector will push straight on and secure itself in place. The yellow connector will need to be pressed on to the fitting and then press in the yellow connector to lock it into place.
- Step 19: The plastic clip can be pushed into the hole on the front of the intake tube similar to the stock configuration.
- Step 20: Push the coolant hose into the clip on the front of the intake tube to secure it in place.

INSTALL



Figure J

Refer to Figure J for Step 21

Step 21: Tighten all hose clamps at this time and double check all of the connectors on the intake tube.

Your installation is now complete!

NOTE: Retighten all connections after approximately 100-200 miles

Rely on premium performance air intake systems by [aFe](#) if you're looking for quality and efficiency.