

advanced FLOW engineering

Instruction Manual P/N: 54-12162 / 51-12162

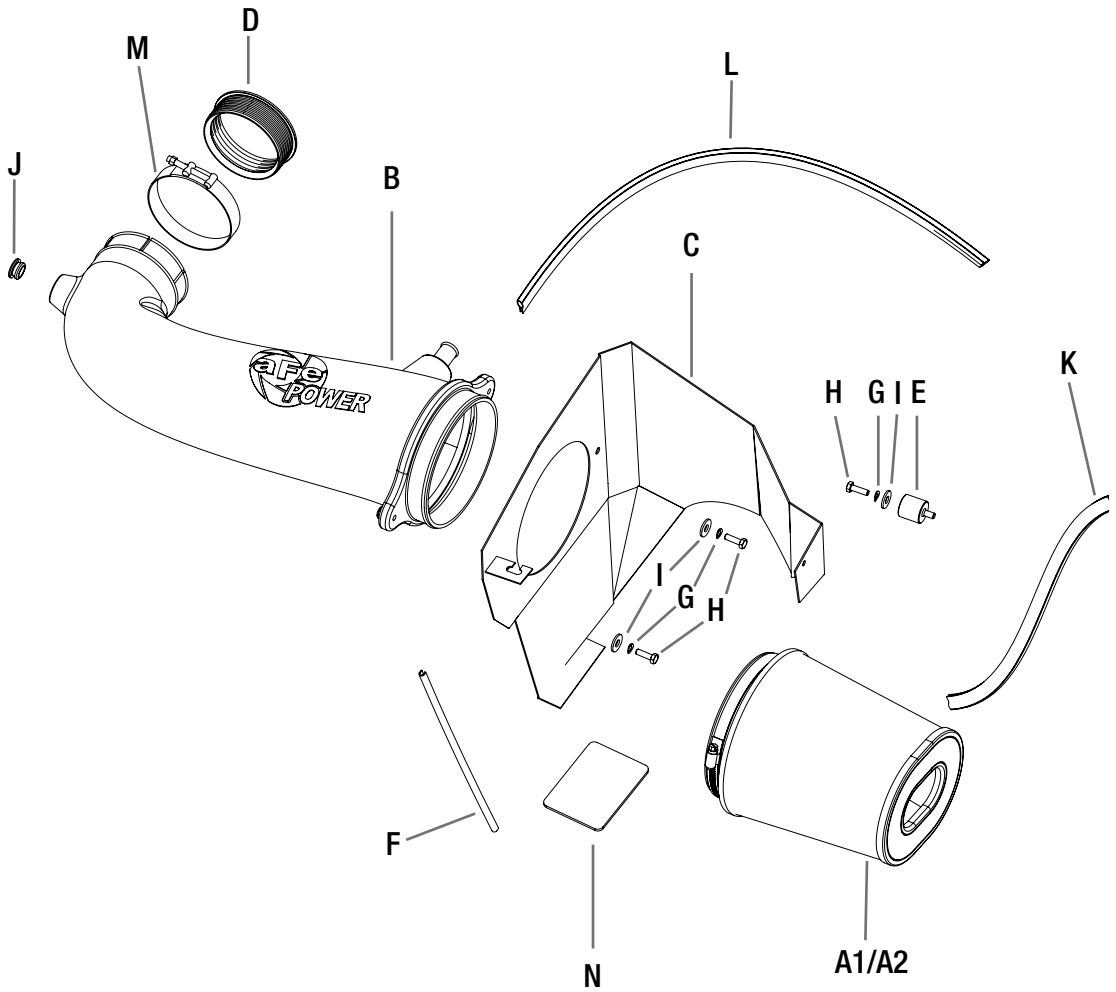
Make: **Dodge/Chrysler** Model: **Challenger/Charger/300C** Year: **11-17** Engine: **V8-5.7L HEMI**



- Please read the entire instruction manual before proceeding.
- Ensure all components listed are present.
- If you are missing any of the components, call customer support.
- Ensure you have all necessary tools before proceeding.
- Do not attempt to work on your vehicle when the engine is hot.
- Disconnect the negative battery terminal before proceeding.
- Retain factory parts for future use.

| Label | Qty. | Description | Part Number |
|-------|------|-------------------------|--------------------------------|
| A1 | 1 | Pro 5R (Blue Media) | 24-91053 (Blue Media) 54-12162 |
| A2 | 1 | Pro DRY S (White Media) | 21-91053 (Grey Media) 51-12162 |
| B | 1 | Tube | 05-12162B1 |
| C | 1 | Housing | 05-12172B2 |
| D | 1 | Silicone Coupling | 05-01193 |
| E | 1 | Isolation Mount M6 | 03-50206 |
| F | 1 | Trim Seal (12.5 Inches) | 05-00149 |
| G | 3 | Lock Washer M6 | 03-50071 |
| H | 3 | Screw Hex M6 | 03-50052 |
| I | 3 | Flat Washer M6 | 03-50070 |
| J | 1 | Grommet | 03-50033 |
| K | 1 | Seal Trim (16.5 Inches) | 05-00072 |
| L | 1 | Seal Trim (25 Inches) | 05-00072 |
| M | 1 | T-bolt Clamp | 03-50265 |
| N | 1 | Isolation Pad | 03-50196 |
| | | | |

Installation will require the following tools:
 8mm Nut Driver (Or Flat Head Screw Driver) 10mm Socket, 10mm Wrench



**Refer to Figure A for step 1-5**

Step 1: Remove the engine cover ① and disconnect the crank case hose ②

Step 2: Remove the 8mm bolt off the OE air box ③.

Step 3: Loosen the clamp off the OE intake tube ④.

Step 4: Unplug the temp sensor ⑤.

Step 5: Remove the OE airbox out of the vehicle.



Figure B

Refer to Figure B for steps 6-7

Step 6: Remove the 10mm bolt from the fender side ⑥.

Step 7: Install the furnished isolation mount into the hole from step 6.



Refer to Figure C for steps 8-11

Step 8: Remove the OE grommet and metal insert from the OE housing (7).

Step 9: Install the OE grommet and metal insert onto the aFe housing (8).

Step 10: Install the furnished seal trim onto the outer edge of the aFe housing (9) and isolation pad.

Step 11: Install the aFe housing into the vehicle.



Refer to Figure D for steps 12-15

Step 12: Install the furnished silicone coupling onto the throttle body (10).

Step 13: Install the furnished grommet onto the aFe intake tube and place the T-bolt clamp onto the throttle body side of the aFe intake tube.

Step 14: Remove temp sensor from the OE intake tube and install it into the aFe tube (11) with provided grommet installed in step 13.

Step 15: Install the aFe intake tube into the vehicle (12) and secure it to the housing using the furnished hardware.

**Figure E****Refer to Figure E for steps 16-19**

Step 16: Install the OE crank case hose onto the aFe intake tube (13) and reconnect the temp sensor (Note: The crank case hole in the tube is 1/8").

Step 17: Install the air filter onto the aFe intake tube with the furnished clamp.

Step 18: Tighten all connections and reinstall the engine cover removed in step 4.

Step 19. Your installation is now complete!

NOTE: Retighten all connections after approximately 100-200 miles.

Place enclosed CARB EO sticker on or near the device on a smooth, clean surface.

EO identification label is required to pass the smog inspection.



Pro DRY S Air Filter



P/N: 21-91053

Pro 5R Air Filter



P/N: 24-91053

Pro DRY S Restore Kit



P/N: 90-59999

Blue Squeeze Restore Kit



P/N: 90-50501

Blue Aerosol Restore Kit



P/N: 90-50001

Direct Fit Air Filter



P/N: 30-10220

Throttle Body Spacer



P/N: 46-32007

Pre-Filter



P/N: 28-10043

Module



P/N: 77-12002

Exhaust System



P/N: 49-42017

Warranty

General Terms:

- aFe warrants their products to be free from manufacturer's defects due to workmanship and material.
- This warranty applies only to the original purchaser of the product and is non-transferrable.
- Proof of purchase of the aFe product is required for all warranty claims.
- Warranty is valid provided aFe instructions for installation and/or cleaning were properly followed.
- Proper maintenance with regular inspections of product is required to insure warranty coverage.
- Damage due to improper installation, abuse, unauthorized repair or alteration is not warranted.
- Incidental or consequential damages or cost, including installation and removal of part, incurred due to failure of aFe product is not covered under this warranty.
- All warranty is limited to the repair and/or replacement of the aFe part. To request Return Goods Authorization ("RGA"). Upon receipt of the RGA, you must return the product to the address provided in the RGA, freight prepaid and accompanied with a dated proof of purchase and the RGA. Upon receipt of the defective product and upon verification of proof of purchase, aFe will either repair or replace the defective product within a reasonable time, not to exceed thirty days.

| Product Category | P/N Prefix | Warranty duration |
|----------------------------------|--------------------------------|--------------------------|
| Direct OE Replacement Filters | 10, 11, 30, 31, 71, 73 | Life of the vehicle |
| Racing Filters | 18 | 1 year |
| Universal | 21, 24, 72, TF | 2 years |
| Air Intake Systems | 50, 51, 54, 55, 75, TR, TA, TL | 2 years |
| Exhaust Systems | 49 | 2 years |
| Intercoolers & Intercooler Tubes | 46-2 | 2 years |
| Intake Manifolds | 46-1 | 2 years |
| Differential Cover | 46-7 | Life of the vehicle |
| Exhaust Manifolds | 46 | 2 years |
| Throttle Body Spacers | 46-3 | 2 years |
| Turbochargers | 46-6 | 2 years* |
| Fluid Filters | 44 | 90 days |
| Pre-Filters | 28 | 2 years |
| Heavy Duty OE Replacement | 70 | 2 years |
| PowerSports OE Replacement | 81, 87 | 2 years |
| PowerSports Intake Systems | 85 | 2 years |

No other warranty expressed or implied applies nor is any person or advanced FLOW engineering authorized to assume any other warranty. Some States do not allow the exclusion or limitation of incidental or consequential damages or do not allow limitations on how long an implied warranty lasts, so the above limitations or exclusions may not apply to you. This warranty gives you specific legal rights, and you may also have other rights which vary from State to State.

*See turbocharger warranty for more info