

advanced FLOW engineering

Stage 2-Si

Instruction Manual P/N: 51-11772 & 54-11772

Make: **Volkswagen** Model: **R32 MKV** Year: **2008** Engine: **V6-3.2L**



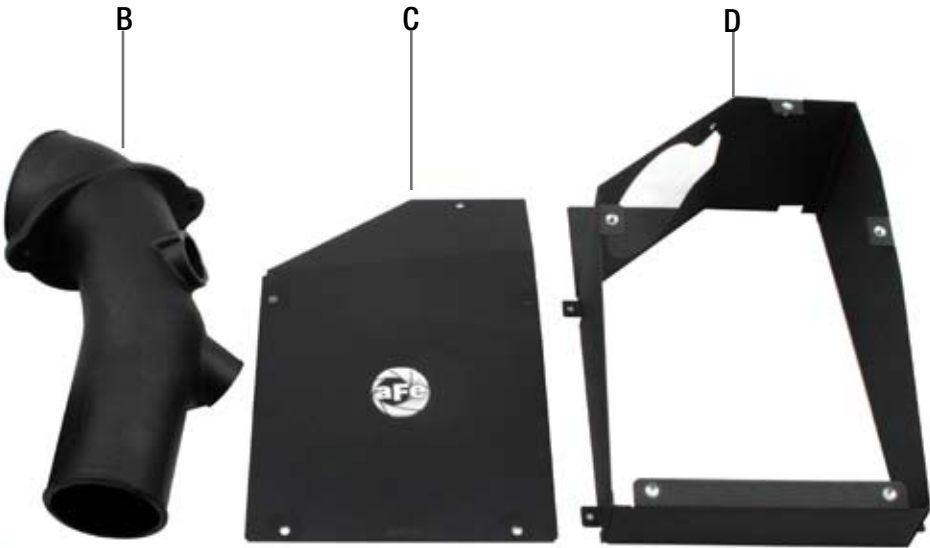
- Please read the entire instruction manual before proceeding.
- Ensure all components listed are present.
- If you are missing any of the components, call customer support.
- Ensure you have all necessary tools before proceeding.
- Do not attempt to work on your vehicle when the engine is hot.
- Disconnect the negative battery terminal before proceeding.
- Retain factory parts for future use.

Label	Qty.	Description	Part Number
A1	1	Pro Dry S Air Filter	21-45507 Grey Media (Included in 51-11772)
A2	1	Pro 5R Air Filter	24-45507 Blue Media (Included in 54-11772)
B	1	Air Intake Tube	05-01076
C	1	Cover	05C01074
D	1	Housing	05-01074
E	1	Straight Coupling	05-00419
F	1	Elbow Coupling	05-01075
G	2	Clamp 32	03-50016
H	2	Clamp 52	03-50008
I	1	MAF Gasket	05-00118
J	2	Flat Washers	03-50070
K	2	Wavy Washers	03-50058
L	5	Button Head Screws	03-50102
M	2	M4 Screws	03-50030
N	2	M6 Bolts	03-50057
O	1	Plug	59-10008

Installation will require the following tools:

4mm Hex Key, Needle-Nose Pliers, 7/16" Socket, 5/16" Socket or Nut Driver, T25 Torx Bit, 5 Star Security Torx Bit (If available), Ratchet, Extension, Phillips & Flat-Head Screw Driver

Note: Legal in California for use on race vehicles only. The use of this device on vehicles used on public streets or highways is strictly prohibited in California and others states that have adopted California emission regulations.



E



F



G



H



I



J



K



L



M



N



A1

OR



A2



O



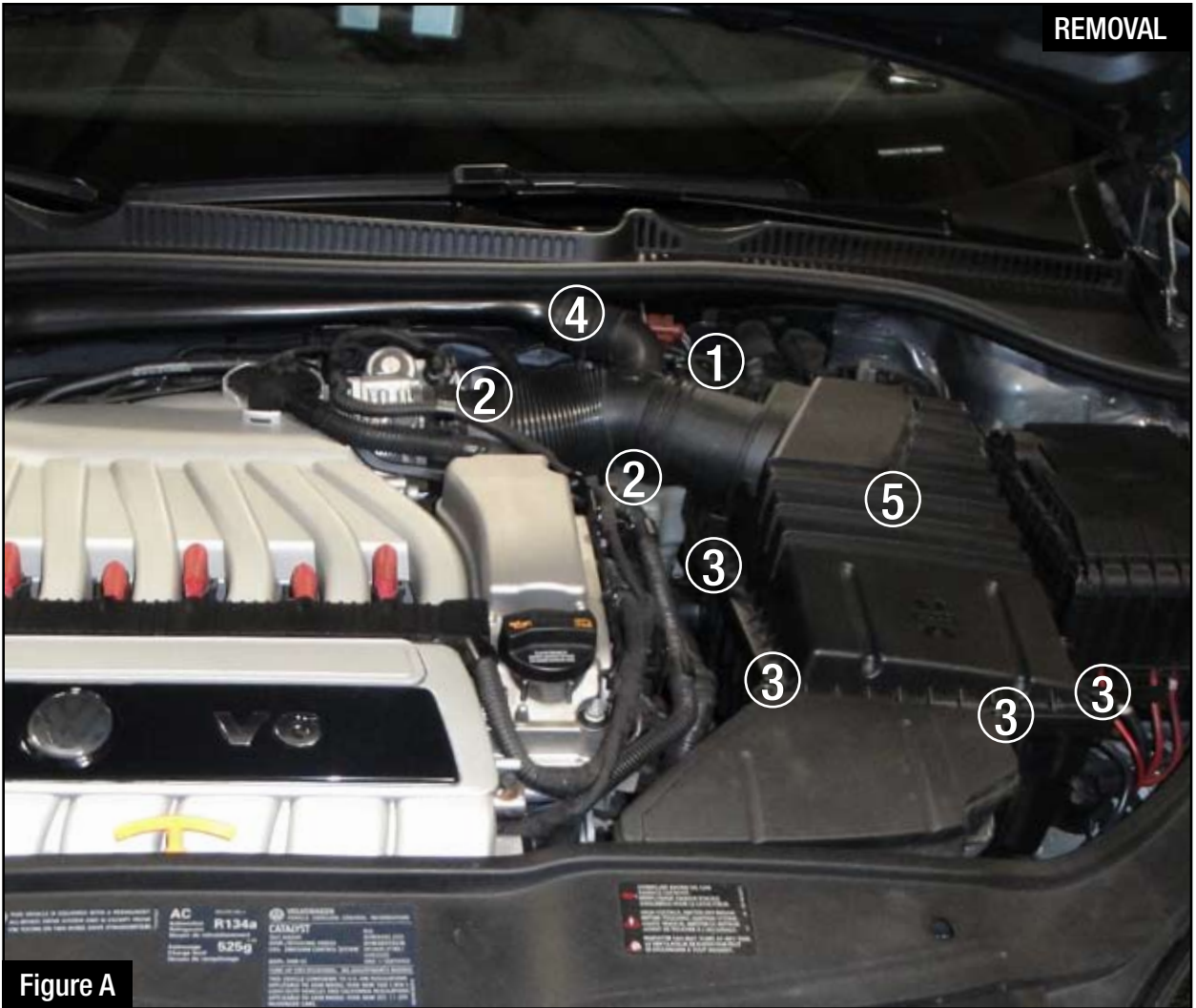
J

K

L

M

N



Refer to Figure A for steps 1-5

- Step 1: Unplug harness from MAF sensor ①
- Step 2: Using needle-nose pliers, loosen both clamps on stock intake tube ②
- Step 3: Using Phillips screw driver, remove all four screws ③
- Step 4: Using needle-nose pliers, loosen clamp on cabin sound chamber duct ④
- Step 5: Remove upper portion of stock intake box and tube ⑤

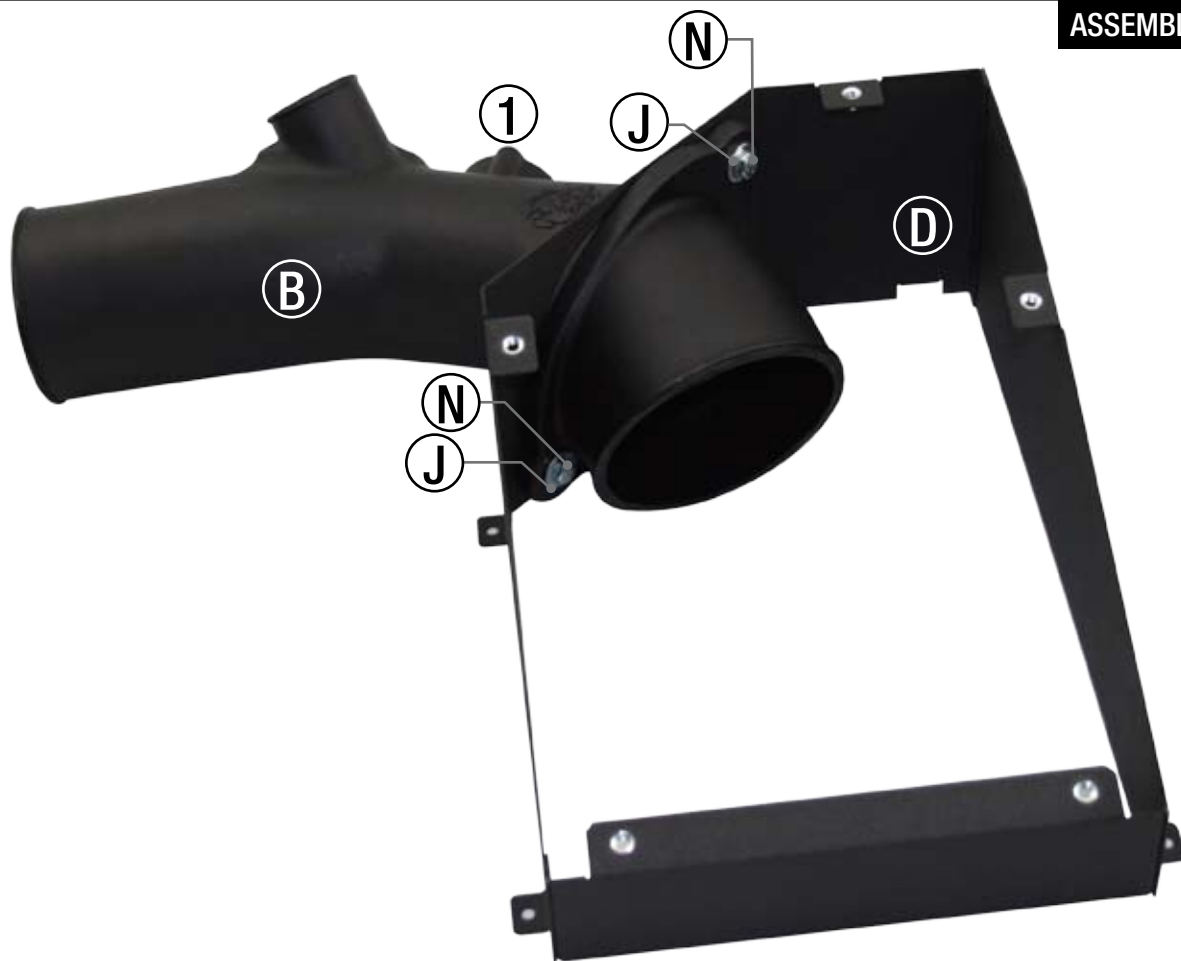


Figure B

Refer to Figure B for steps 6-9

Step 6: Using 7/16" socket, attach intake tube (B) to housing (D) using two M6 bolts (N) and washers (J)

Step 7: Using a 5 star security Torx bit (use needle-nose pliers if unavailable) remove stock MAF sensor from stock intake tube

Step 8: Using supplied gasket (I), install MAF sensor (1) into tube (B)

Step 9: Using flat-head screw driver, tighten MAF sensor using two M4 screws (M)

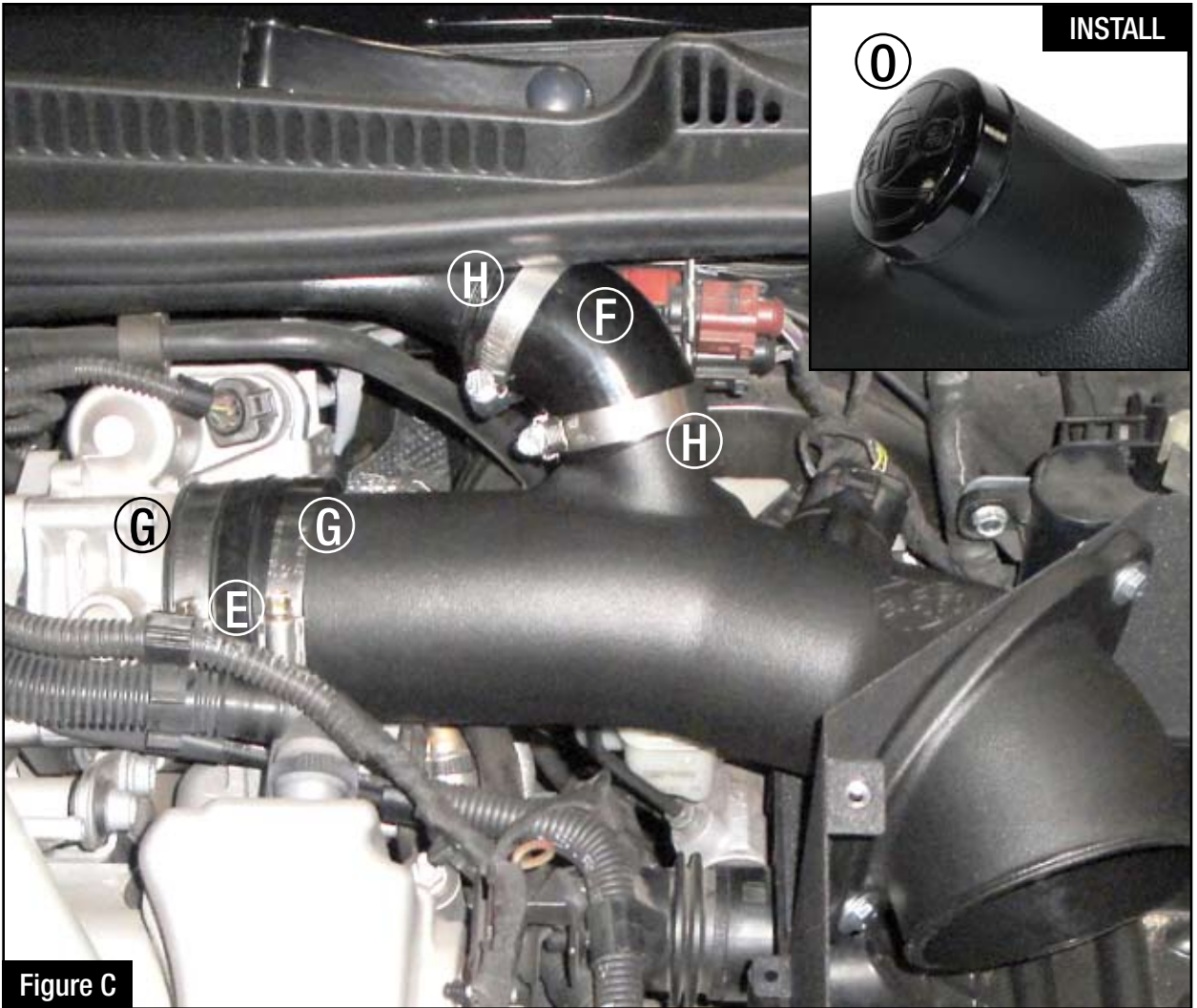


Figure C

Refer to Figure C for steps 10-12

Step 10: Place two clamps (G) on straight coupling (E) and attach to throttle body (Do not tighten)

Step 11: Place two clamps (H) on elbow coupling (F) and attach to cabin sound chamber (Do not tighten) If your vehicle is not equipped with the sound chamber or you choose to bypass, use provided plug (O)

Step 12: Place housing and tube assembly into factory location



Figure D

Refer to Figure C & D for steps 13-15

Step 13: Using Phillips screw driver, screw housing into stock location using four factory screws (3)

Step 14: Using nut driver, tighten clamps on couplings (E) and (F) shown in Figure C

Step 15: Attach filter (A) to tube and tighten clamp with nut driver



Refer to Figure E for steps 16-18

Step 16: Using T25 Torx bit, attach cover (C) to housing using five button head screws (L)

Step 17: Plug in MAF harness into MAF sensor (1)

Step 18: Reconnect negative battery terminal and be sure everything is secure and tightened.

Installation is now complete



Pro DRY S Air Filter



P/N: 21-45507

Pro 5R Air Filter



P/N: 24-45507

Pre-Filters



P/N: 28-10081 Yellow
P/N: 28-10082 Red
P/N: 28-10083 Black
P/N: 28-10084 Blue

Pro DRY S Restore Kit



P/N: 90-59999

Blue Aerosol Restore Kit



P/N: 90-50001

Blue Squeeze Restore Kit



P/N: 90-50501

aFe Power Hat



P/N: 40-10083

aFe Key Chain



P/N: 40-10103

Warranty

aFe warrants their intake systems to be free of defects from workmanship and materials for a period of two (2) years, provided the intake system was: A) installed in an aFe recommended application according to aFe installation instructions; and B) the air filter has been properly cleaned utilizing an aFe cleaning solution and oil (not applicable on Pro DRY S filters). Damage from abuse, improper cleaning, improper oil and improper installation or from open flame is not covered by this limited warranty. In the event of a defect of an aFe product within the period covered by this limited warranty, the purchaser can return the product to the dealer where it was purchased or send the product to aFe at the address listed on the back after obtaining a Return Good Authorization (RGA) number from aFe. The original register receipt will be required as proof of purchase. Purchaser will be entitled to a refund of the entire purchase price or a replacement of the product at aFe's discretion. Purchaser shall be responsible for the cost of shipping the defective product to aFe. An RGA number can be obtained by calling aFe customer service. Products shipped without an RGA number will be refused. A refund or replacement of the product shall be the sole remedy available under this limited warranty and aFe shall not be responsible for consequential or incidental damages. (Some states do not allow this exclusion or limitation of incidental or consequential damages, so the above limitation or exclusion may not apply). This warranty gives you specific legal rights, and you may have other rights, which vary from state to state.