



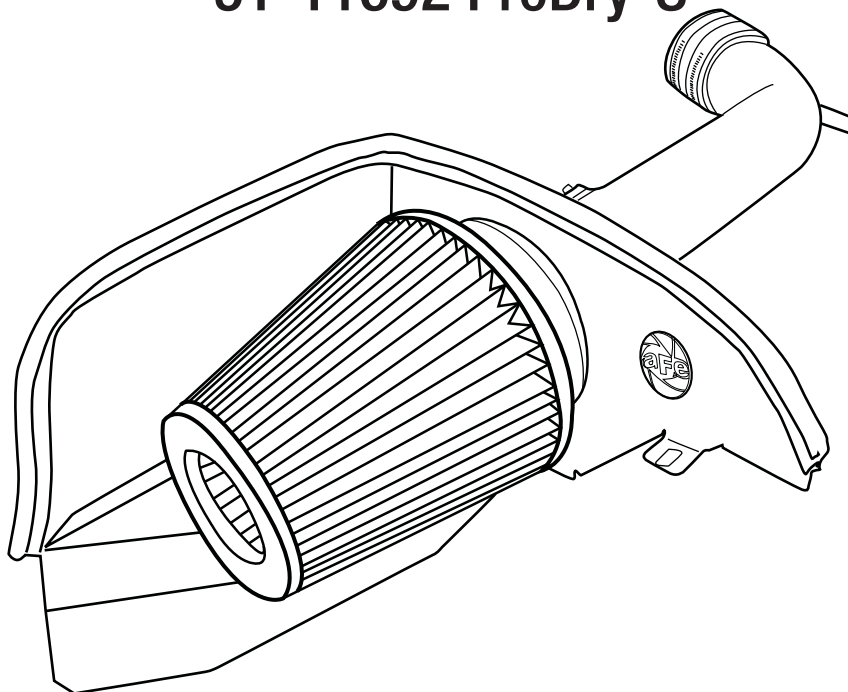
advanced FLOW engineering

INSTALLATION INSTRUCTIONS

& Owner's Manual

aFe Magnum Force Air Intake System-Stage 2

54-11692 Pro 5R
51-11692 ProDry-S



Application:

Make:

Model:

Crown Victoria

Mercury Grand Marquis

Ford

Year

Engine

05-11

V8-4.6L

05-10

V8-4.6L

General Guidelines Before Starting Your Installation

1. To make the installation process as easy as possible, please read the installation manual completely before starting your work. Insure you have all the tools necessary to install this system.

2. Before you start, please verify that the box contains all necessary components indicated on the next page. If you are missing any component, please contact our Customer Service.

3. We recommend placing a protective cover over the fender to prevent scratches to the paint. Wipe down hoses and wiring harnesses around the stock intake system before removal to prevent dirt from entering the engine.

4. Disconnect the ground cable from the battery or batteries before beginning your installation.

5. Retain your stock intake system in the event you wish to return the vehicle to its stock status later on.

6. Failure to follow these installation instructions and not using the provided hardware may damage the system and void your warranty.

Your aFe Filter - Oiled or Oil-Free?

1. The filters in this system do not need to be oiled before installation.

Pro5R - Oiled, Blue Media



Replacement PN:

24-91045

Restorer Kit PN

90-50500 Blue (Squeeze)

90-50501 Blue (Aerosal)

ProDryS- Oil Free, White Media



Replacement PN:

21-45003

Restorer Kit PN

90-59999 (Cleaner only)

ProGUARD 7- Oiled, Gold Media

Replacement PN:

72-

Not Available

Restorer Kit PN

90-50000 Gold (Squeeze)

90-50001 Gold (Aerosal)

2. Follow the filter maintenance instructions at the end of this booklet. Using any other oil for oiled filters may void the warranty on your filter. Oiling an oil-free filter may void the warranty on your filter.

aFe Air Intake System Warranty Policy

aFe warrants that its intake systems will last for the life of the vehicle. This warranty applies only to the original purchaser of product and is non-transferrable. Proof of purchase of the aFe intake system and the vehicle are required for any warranty claims. aFe will not honor this warranty due to improper installation or fitment, damage for misuse, accidents or flying debris. This warranty is limited to the repair and/or replacement of the aFe part. Under no circumstance will this warranty exceed the original purchase price of the aFe part nor will aFe be responsible for special, incidental or consequential damages or cost incurred due to the failure of this product. Improper use or installation, abuse, unauthorized repair or alteration will void this warranty. Warranty claims to aFe must be freight prepaid and accompanied with a dated proof of purchase.

Note: Legal in California for use on race vehicles only. The use of this intake system on vehicles used on public streets or highways strictly prohibited in California and other states that have adopted California emission regulations.

SYSTEM COMPONENTS



PARTS LIST:

Description	Qty	Part #
A Air Filter	1	24-91045 or 21-45003
B Housing	1	05-01119
C Tube	1	05-01118
D Adapter	1	05-01037
E Reducer Coupling	1	05-00636
F Straight Coupling	1	05-00664
G Clamp 48	3	03-50007
H Clamp 52	1	03-50008
I Seal Trim	29"	05-00072
J Screw Button head	3	03-50113
K Wavy Washer	3	03-50058
L Screw	2	03-50034

Required Tools:

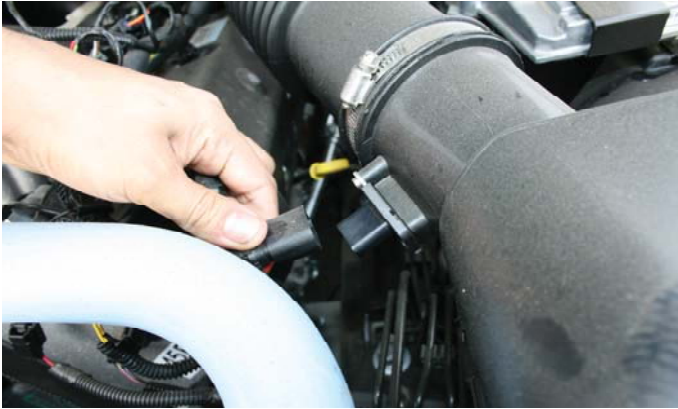
4mm Hex Key
 7/16" socket
 5/16" nut driver
 T25 torx bit
 Ratchet & extension



1- View of stock intake system.



5- Disconnect the crank case line from the intake tube.



2- Disconnect the MAF sensor by pulling out the red safety lock and squeezing.



6- Remove the top intake box and intake tube from vehicle and put it aside.



3- Loosen the clamp at the throttle body



7- Using a ratchet with extension, Remove the lower intake boxes three mounting bolts.



4- Disconnect the two pressure clips on the intake box housing.



8- Remove the lower intake box from vehicle.



9- Firmly place the supplied seal trim on the housings top edge.



10- Using a 4mm allen key, install the adapter using the three supplied screws and washers.



11- Place housing into vehicle and re-use the existing nuts and mounting locations.



12- Unscrew the MAF sensor from the stock air intake box and remove.



13- Install the MAF sensor into your aFe intake tube using the supplied bolts.



14- Place the straight coupling onto the throttle body with the clamps in position.



15- Place the coupling with clamps onto the adapter and slip the intake tube into position like shown.



16- When the tube is in position, tighten all four clamps on the couplings securing it to the vehicle.



17- Plug the crank case vent line onto your new aFe intake tube.



18- Reconnect the MAF sensor onto the intake tube and lock the plug by pushing in on the red safety lock.



19- Connect your aFe air filter onto your housings adapter.

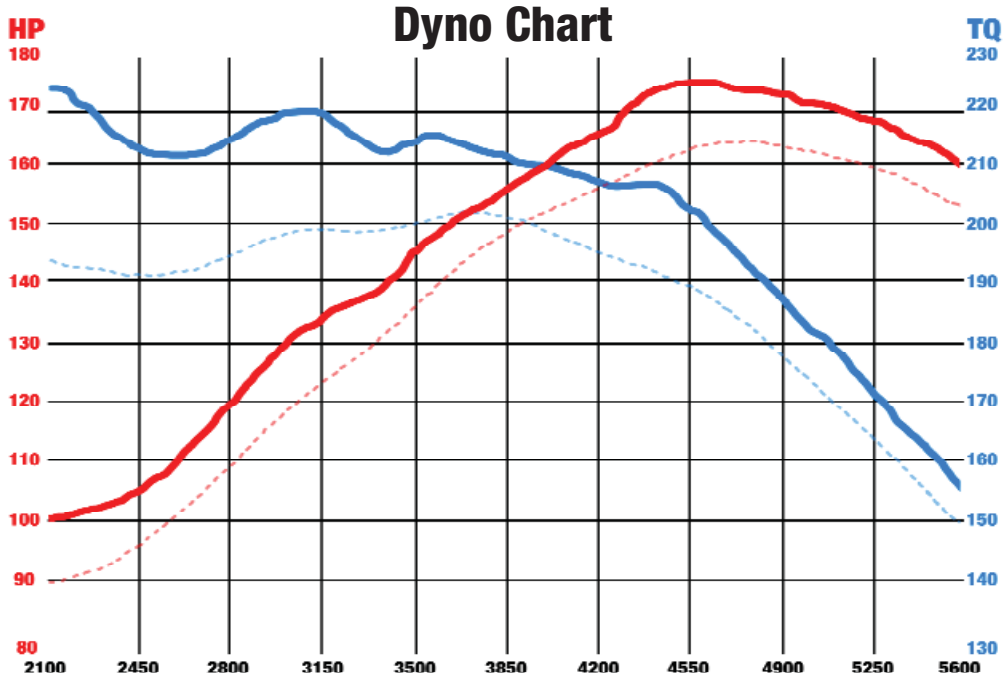


20- Your installation is now complete. Please check all components and retighten if necessary. Thank you for choosing aFe Power!

PERFORMANCE DATA



**54-11692 Ford Crown Victoria/Mercury
Grand Marquis 03-10 V8-4.6L**



Air Flow Data Chart

