

# advanced FLOW engineering

## Instruction Manual P/N: 51/54-82082-1

Make: **BMW** Model: **535i (F10)** Year: **2011-2016** Engine: **L6-3.0L (t) N55**



- Please read the entire instruction manual before proceeding.
- Ensure all components listed are present.
- If you are missing any of the components, call customer support.
- Ensure you have all necessary tools before proceeding.
- Do not attempt to work on your vehicle when the engine is hot.
- Disconnect the negative battery terminal before proceeding.

## Retain factory parts for future use.

Label	Qty.	Description	Part Number
A1	1	Pro DRY S Air Filter	21-90073 (Gray Media)
A2	1	Pro 5R Air Filter	24-90073 (Blue Media)
B	1	Housing	05-82082B2
C	1	Tube	05-82082B1
D	1	Plug, Urethane	05-01225
E	2	M6 Button Head Screws	03-50102

Installation will require the following tools:  
T20 Torx, T25 Torx, 7mm nut driver, 8mm nut driver, 4mm allen wrench.

Note: Legal in California for use on race vehicles only. The use of this device on vehicles used on public streets or highways is strictly prohibited in California and others states that have adopted California emission regulations.

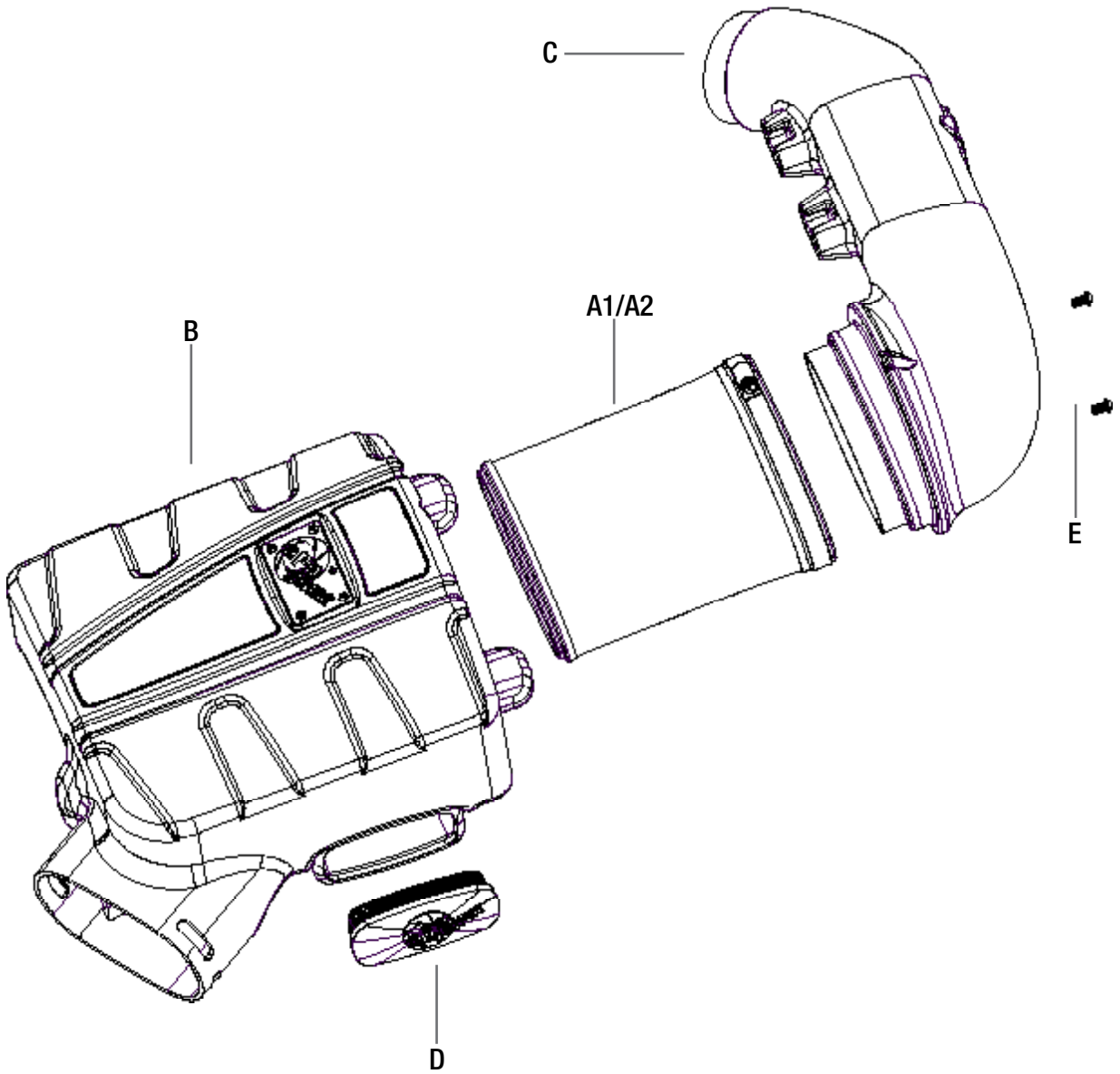




Figure A

**Refer to Figure A for steps 1-2**

Step 1: Remove engine cover.

Step 2: Unplug Mass Air Flow (MAF) sensor ①.



Figure B

**Refer to Figure B for steps 3-6**

Step 3: Loosen the clamp on the intake tube with a 7mm nut driver (2).

Step 4: Loosen the (6) T25 Torx screws on the top of the airbox (3).

Step 5: Remove the intake tube and top of the airbox as one unit.

Step 6: Remove the OE air filter.

**Figure C****Refer to Figure C for steps 7-9**

Step 7: Remove the three wire harnesses from the bracket located on the back of the airbox near the firewall (4).

Step 8: Remove the housing by pulling it straight up

Step 9: Carefully remove the factory snorkel from the front of the airbox (5).



Figure D

**Refer to Figure D for steps 10-11**

Step 10: Remove the MAF sensor from the OE intake tube using a T20 Torx (6).

Step 11: Remove the 3 grommets from the bottom of the OE airbox (7).



Figure E

**Refer to Figure E for step 12**

Step 12: Install the 3 rubber grommets into the 3 holes on the bottom of the new housing.



**Figure F****Refer to Figure F for steps 13-15**

- Step 13: Place the filter onto the large end of the new intake tube but do not tighten the clamp just yet.
- Step 14: Slide the filter and tube into the back side of the intake housing and line up the clamp with the cutout in the back of the housing as shown.
- Step 15: Tighten the clamp in place so that the clamp may pass through the back wall of the housing.

**Figure G****Refer to Figure G for steps 16-17**

Step 16: Fasten the tube to the back of the housing using the new M6 stainless steel button head screws.

Step 17: Install the MAF Sensor into the new tube as shown and secure to the tube using the factory screws. **DO NOT OVER TIGHTEN!**

**Figure H****Refer to Figure H for steps 18-20**

Step 18: You are ready to install the intake into the vehicle.

Step 19: Line up the factory snorkel first and then drop the intake into position. Make sure to place the intake tube into the factory tube prior to pushing the housing onto the grommets.

Step 20: Once the snorkel and intake tube are lined up, push the housing down firmly onto the mounts.

**Figure I****Refer to Figure I for step 21-23**

Step 21: Tighten the clamp using a 7mm nut driver or socket.

Step 22: Reconnect the MAF sensor.

Step 23: Reinstall the engine cover.



Pro DRY S Air Filter



P/N: 21-90073

Pro 5R Air Filter



P/N: 24-90073

Pro DRY S Restore Kit



P/N: 90-59999

Blue Squeeze Restore Kit



P/N: 90-50501

Exhaust System



P/N: 49-36308

Module



P/N: 77-46301 (Sensor 1)  
P/N: 77-46304 (Sensor 2)

Sprint Booster



P/N: 77-16304 (A/T)

aFe Power T-Shirt



P/N: 40-30382 (M)  
40-30383 (L)  
40-30384 (XL)  
40-30385 (2XL)

# Warranty

## General Terms:

- aFe warrants their products to be free from manufacturer's defects due to workmanship and material.
- This warranty applies only to the original purchaser of the product and is non-transferrable.
- Proof of purchase of the aFe product is required for all warranty claims.
- Warranty is valid provided aFe instructions for installation and/or cleaning were properly followed.
- Proper maintenance with regular inspections of product is required to insure warranty coverage.
- Damage due to improper installation, abuse, unauthorized repair or alteration is not warranted.
- Incidental or consequential damages or cost, including installation and removal of part, incurred due to failure of aFe product is not covered under this warranty.
- All warranty is limited to the repair and/or replacement of the aFe part. To request Return Goods Authorization ("RGA"). Upon receipt of the RGA, you must return the product to the address provided in the RGA, freight prepaid and accompanied with a dated proof of purchase and the RGA. Upon receipt of the defective product and upon verification of proof of purchase, aFe will either repair or replace the defective product within a reasonable time, not to exceed thirty days.

<b>Product Category</b>	<b>P/N Prefix</b>	<b>Warranty duration</b>
Direct OE Replacement Filters	10, 11, 30, 31, 71, 73	Life of the vehicle
Racing Filters	18	1 year
Universal	21, 24, 72	2 years
Air Intake Systems	50, 51, 54, 55, 75	2 years
Exhaust Systems	49	2 years
Intercoolers & Intercooler Tubes	46-2	2 years
Intake Manifolds	46-1	2 years
Differential Cover	46-7	Life of the vehicle
Exhaust Manifolds	46	2 years
Throttle Body Spacers	46-3	2 years
Fluid Filters	44	90 days
Pre-Filters	28	2 years
Heavy Duty OE Replacement	70	2 years
PowerSports OE Replacement	81, 87	2 years
PowerSports Intake Systems	85	2 years

No other warranty expressed or implied applies nor is any person or advanced FLOW engineering authorized to assume any other warranty. Some States do not allow the exclusion or limitation of incidental or consequential damages or do not allow limitations on how long an implied warranty lasts, so the above limitations or exclusions may not apply to you. This warranty gives you specific legal rights, and you may also have other rights which vary from State to State.

Feel the difference with aFe.

Buy quality performance air intake systems in our online store.