

advanced FLOW engineering

Instruction Manual P/N: 51-76307 / 54-76307

Make: **BMW** Model: **328d/dx (F30/F31)** Year: **2014-2016** Engine: **L4-2.0L (td) N47**



- Please read the entire instruction manual before proceeding.
- Ensure all components listed are present.
- If you are missing any of the components, call technical support.
- Ensure you have all necessary tools before proceeding.
- Do not attempt to work on your vehicle when the engine is hot.
- Disconnect both the negative battery terminal before proceeding.

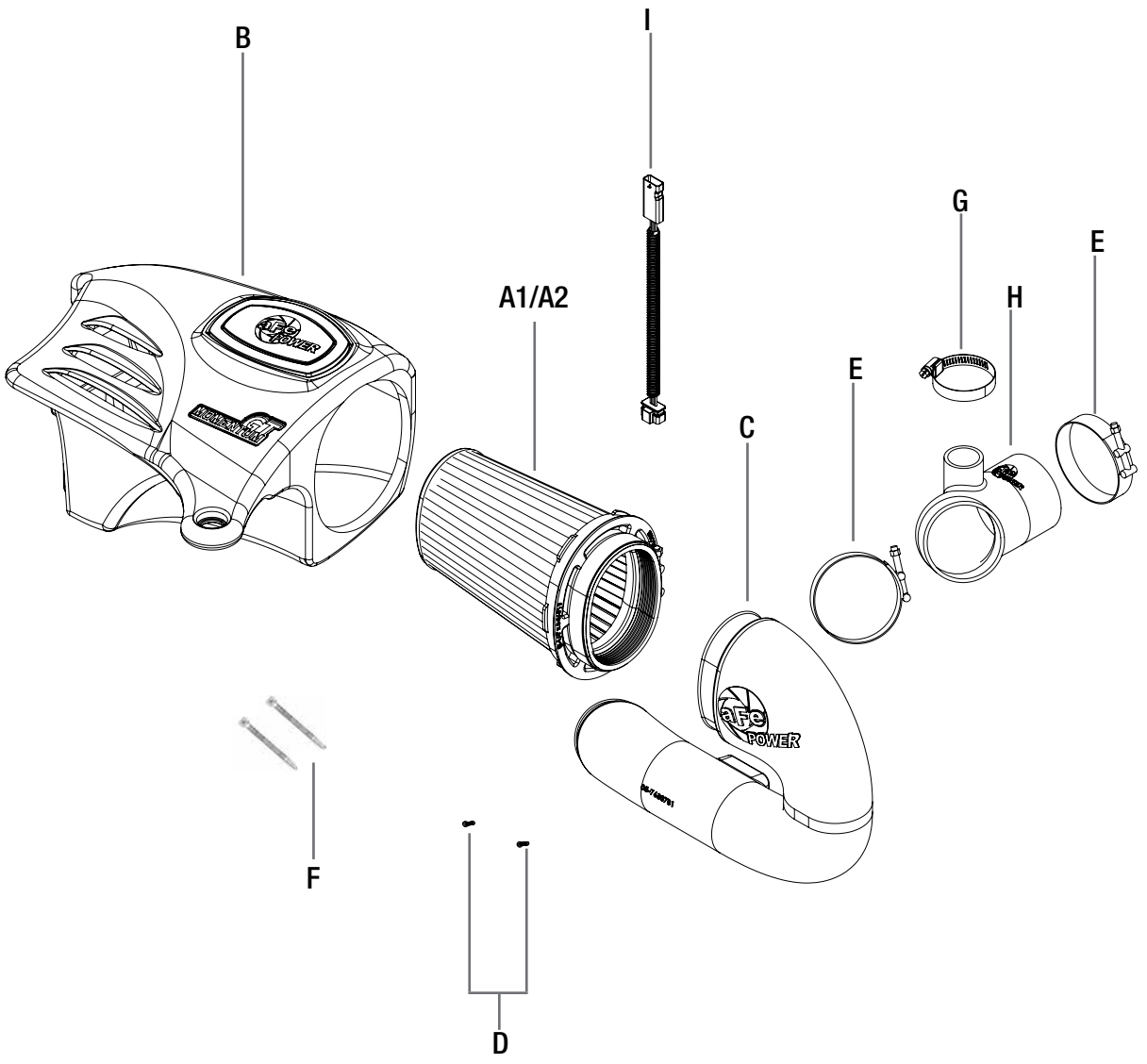
Retain factory parts for future use.

Label	Qty.	Description	Part Number
A1	1	Air Filter (Pro 5R)	24-91106
A2	1	Air Filter (Pro DRY S)	21-91106
B	1	Housing	05-76307B2
C	1	Tube	05-76307B1
D	2	Screw, M4x.7x8	03-50489
E	2	Clamp, T-bolt (SS)	03-50292
F	2	Tie, Nylon Cable	05-60167
G	1	Clamp, #032	03-50016
H	1	Coupling, Elbow Silicone	05-01395
I	1	Extension, MAF Sensor	05-70003

Installation will require the following tools:

Phillips screwdriver & 8mm nut driver, flat head screwdriver, 11mm socket, socket wrench, T20 torx driver.

Note: Not legal for use in California. The use of this device in any on-road or off-road vehicles registered with the California Dept of Motor Vehicles (DMV) is strictly prohibited.





Refer to Figure A for Steps 1-4

Step 1: Disconnect the MAF sensor harness (1).

Step 2: Loosen the clamp between the OE air box and tube (2).

Step 3: Pull the complete OE housing up to disconnect the auxiliary hose (3).

Step 4: Remove the complete housing from the vehicle.

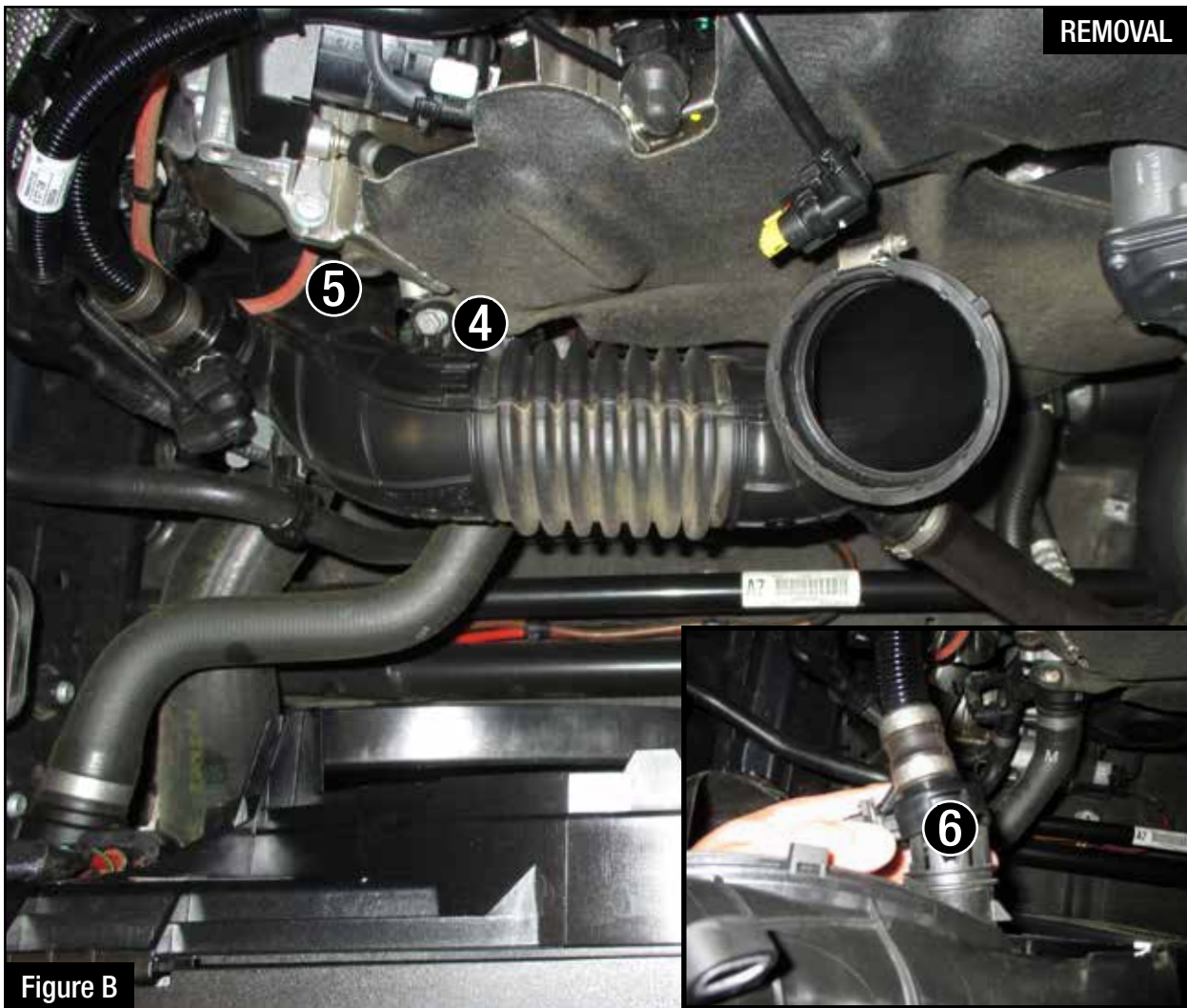


Figure B

Refer to Figure B for Step 5-7

Step 5: Remove the OE screw from the tube. (4)

Step 6: Unclip the tube from the turbo inlet. (5)

Step 7: Carefully, disconnect the OE breather hose from the OE tube. (6)



Figure C

Refer to Figure C for Steps 6-9

Step 6: Remove the MAF sensor from the OE housing.

Step 7: Install the MAF sensor into the aFe tube using the furnished M4 screws. (7)

Step 8: Install the three supplied clamps onto the aFe coupling. Do not tighten any clamps at this time.

Step 9: Connect the male end of the supplied MAF harness extension to the female OE sensor.

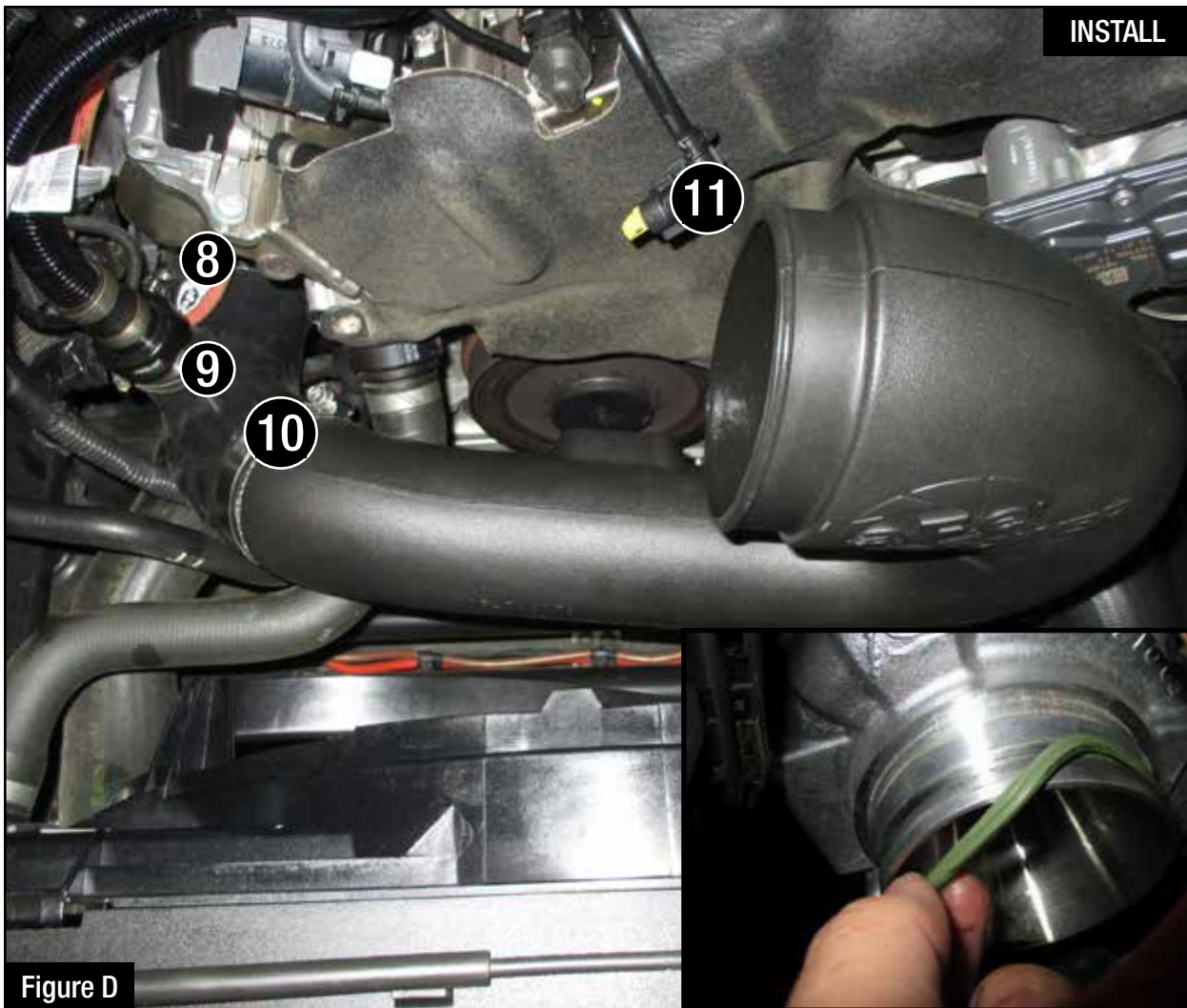


Figure D

Refer to Figure D for Steps 10-14

Step 10: Remove the OE O-ring from the turbo inlet.

Step 11: Install the aFe coupling. Place the T-bolt clamp flush to the turbo's wall. Then, rotate the coupling so it does not touch any nearby hoses. Tighten the T-bolt clamp. (8)

Step 12: Insert the OE breather hose into the aFe coupling. Tighten the clamp. (9)

Step 13: Insert the aFe tube. Tighten the T-bolt clamp. (10)

Step 14: Connect the female end of extension harness to the male end of the OE MAF sensor. (11)



Figure E

Refer to Figure E for Steps 15-16

Step 15: Install the aFe filter onto the aFe air box.

Step 16: Remove the OE grommet from the OE air box and install it onto the aFe air box. ⑫



Figure F

Refer to Figure F for Steps 17-20

Step 17: Install the aFe air box assembly into the vehicle.

Step 18: Connect the air filter to the intake tube using the furnished clamp. ⑬

Step 19: Secure the extension harness to the vehicle with the supplied zip ties.

Step 20: Your installation is now complete. Thank you for choosing aFe Power!

NOTE: Check all clamps, and connectors after 200 miles.



Pro DRY S Air Filter



P/N: 21-91072

Pro 5R Air Filter



P/N: 24-91072

Pro DRY S Restore Kit



P/N: 90-59999

Blue Squeeze Restore Kit



P/N: 90-50501

Dynamic Air Scoop



P/N: 54-12218 (Black)
54-12218-C (Carbon Fiber)
54-12218-L (Blue)
54-12218-R (Red)

aFe Motorsport T-Shirt



P/N: 40-30441-B (S)
40-30442-B (M)
40-30443-B (L)
40-30444-B (XL)

aFe BMW T-Shirt



P/N: 40-30261 (S)
40-30262 (M)
40-30263 (L)
40-30264 (XL)

Warranty

General Terms:

- aFe warrants their products to be free from manufacturer's defects due to workmanship and material.
- This warranty applies only to the original purchaser of the product and is non-transferrable.
- Proof of purchase of the aFe product is required for all warranty claims.
- Warranty is valid provided aFe instructions for installation and/or cleaning were properly followed.
- Proper maintenance with regular inspections of product is required to insure warranty coverage.
- Damage due to improper installation, abuse, unauthorized repair or alteration is not warranted.
- Incidental or consequential damages or cost, including installation and removal of part, incurred due to failure of aFe product is not covered under this warranty.
- All warranty is limited to the repair and/or replacement of the aFe part. To request Return Goods Authorization ("RGA"). Upon receipt of the RGA, you must return the product to the address provided in the RGA, freight prepaid and accompanied with a dated proof of purchase and the RGA. Upon receipt of the defective product and upon verification of proof of purchase, aFe will either repair or replace the defective product within a reasonable time, not to exceed thirty days.

Product Category	P/N Prefix	Warranty duration
Direct OE Replacement Filters	10, 11, 30, 31, 71, 73	Life of the vehicle
Racing Filters	18	1 year
Universal	21, 24, 72	2 years
Air Intake Systems	50, 51, 54, 55, 75	2 years
Exhaust Systems	49	2 years
Intercoolers & Intercooler Tubes	46-2	2 years
Intake Manifolds	46-1	2 years
Differential Cover	46-7	Life of the vehicle
Exhaust Manifolds	46	2 years
Throttle Body Spacers	46-3	2 years
Fluid Filters	44	90 days
Pre-Filters	28	2 years
Heavy Duty OE Replacement	70	2 years
PowerSports OE Replacement	81, 87	2 years
PowerSports Intake Systems	85	2 years

No other warranty expressed or implied applies nor is any person or advanced FLOW engineering authorized to assume any other warranty. Some States do not allow the exclusion or limitation of incidental or consequential damages or do not allow limitations on how long an implied warranty lasts, so the above limitations or exclusions may not apply to you. This warranty gives you specific legal rights, and you may also have other rights which vary from State to State.

Buy quality performance air intake systems in our online store.