

advanced FLOW engineering

Instruction Manual P/N: 54-76213 / 51-76213 / 75-76213

Make: **Jeep** Model: **Wrangler (JK)** Year: **2007-2011** Engine: **V6-3.8L w/ Mech. Fan**



- Please read the entire instruction manual before proceeding.
- Ensure all components listed are present.
- If you are missing any of the components, call customer support.
- Ensure you have all necessary tools before proceeding.
- Do not attempt to work on your vehicle when the engine is hot.
- Disconnect the negative battery terminal before proceeding.

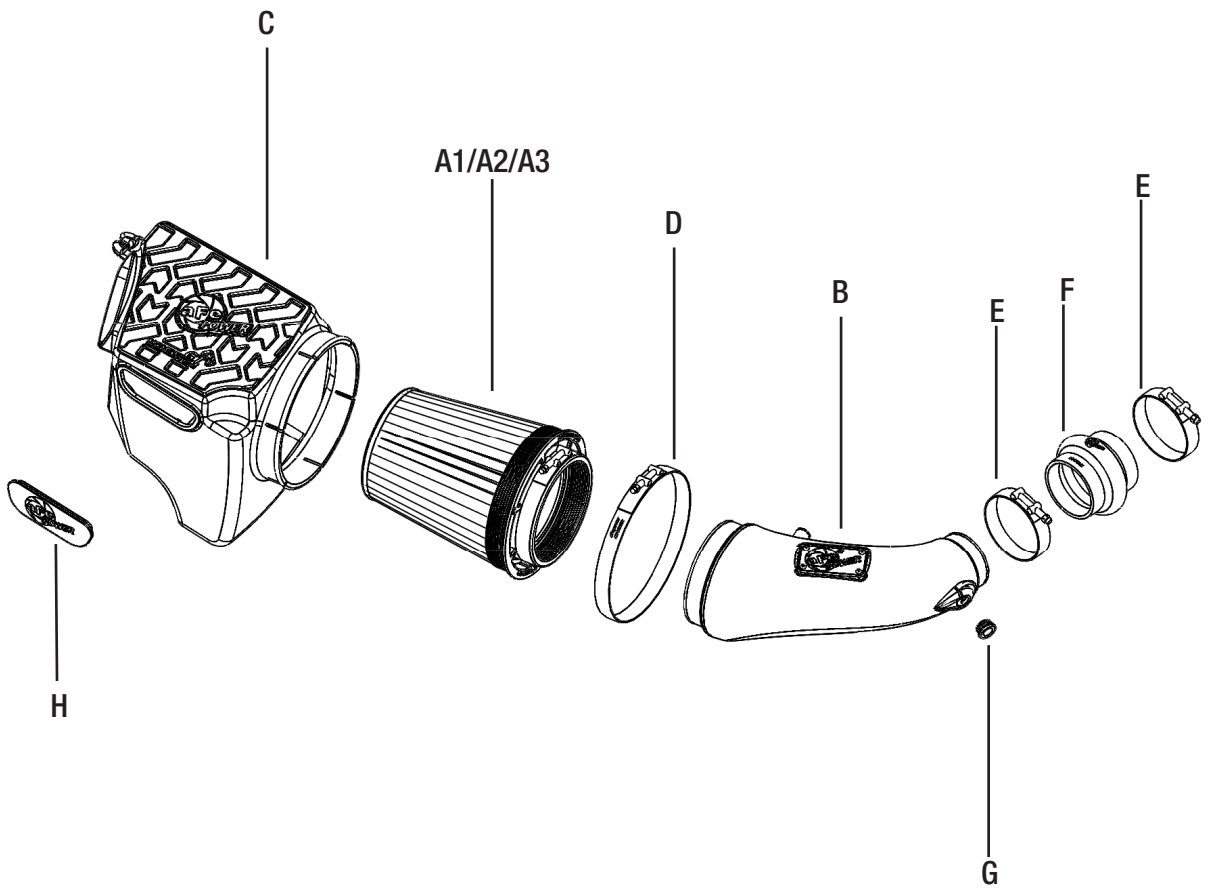
Retain factory parts for future use.

Label	Qty.	Description	Part Number
A1	1	Air Filter (Pro DRY S)	21-91062 (51-76213)
A2	1	Air Filter (Pro 5R)	24-91062 (54-76213)
A3	1	Air Filter (Pro-GUARD 7)	72-91062 (75-76213)
B	1	Tube	05-76213B1
C	1	Housing	05-76203B2
D	1	Clamp, T-bolt, (7"-7-3/8")	03-50290
E	2	Clamp, T-bolt, (3"-3-5/16")	03-50320
F	1	Coupler, Silicone Hump	05-01220
G	1	Grommet, Rubber	03-50033
H	1	Plug, Urethane	05-00937

Tools needed: 8mm, 10mm and 7/16" nut driver and 1/4" driver with 10mm deep socket.

Recommended: Acetone, Silicone, Lubricant

Note: Not legal for use in California. The use of this device in any on-road or off-road vehicles registered with the California Dept of Motor Vehicles (DMV) is strictly prohibited.



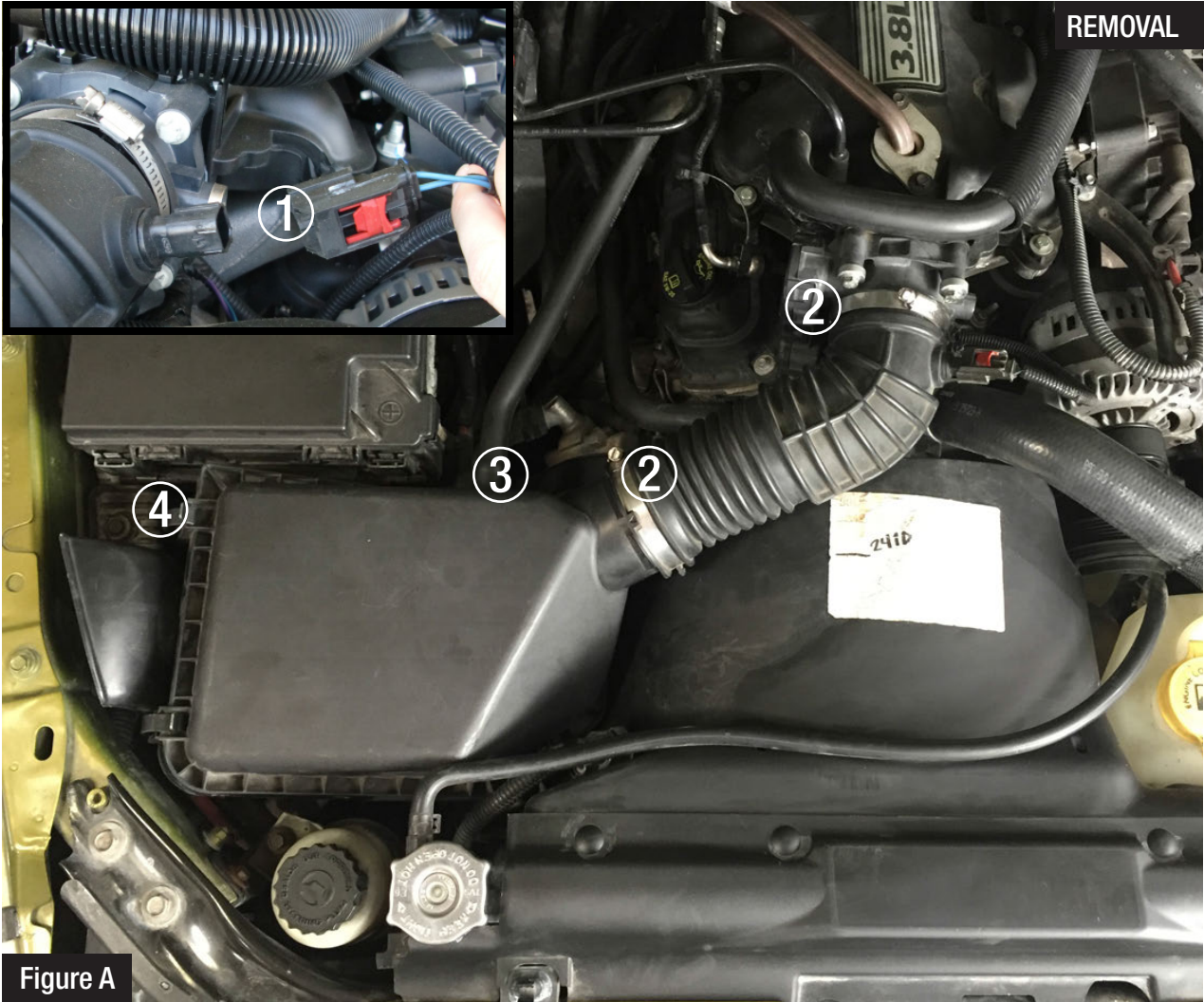


Figure A

Refer to Figure A for Steps 1-6

- Step 1: Disconnect the temp sensor wire. Slide the red tab back then push down on the release lever (Be careful not to break the connector) ① .
- Step 2: Loosen the clamp at the throttle body and air filter housing using an 8mm nut driver or socket. Remove the OE intake tube ② .
- Step 3: Disconnect the Crank Case Vent (CCV) hose at the back of the OE air box ③ .
- Step 4: To remove the OE air box, pull the box straight up. Leave OE rubber grommets in place.
- Step 5: Remove the M6 bolt that secures the intake housing mounting bracket to the inner fender well (Save the bolt as it will be reused) ④ .
- Step 6: Carefully, remove the temp sensor from the OE intake tube by pulling and twisting straight out (Do not bend from side to side while removing the sensor).



Refer to Figure B for Steps 7-9

Step 7: Slip the larger T-bolt clamp (03-50352) onto the aFe housing but do not tighten yet.

Step 8: Insert the Momentum filter into the housing and tighten T-Bolt clamp using your 10mm deep socket (5).

Step 9: Insert the housing assembly into the vehicle as shown and guide the lower housing pins into the OE rubber grommets.



Figure C

Refer to Figure C for Steps 10-11

Step 10: Slip both clamps over the coupling as shown and slip over throttle body (6).

Step 11: Tighten the clamp over the throttle body only at this time (7).



Figure D

Refer to Figure D for Steps 12-13

Step 12: Insert the provided rubber grommet into the new aFe intake tube.

Step 13: Holding the rubber grommet from the inside, twist and insert the temp sensor into the grommet.

Do not bend from side to side when installing the sensor. Using a little lubricant on the inside of the rubber grommet may be helpful when performing this.



Figure E

Refer to Figure E for Step 14

Step 14: Insert the aFe tube into the filter as shown. Next rotate the other end of the tube lining it up with the throttle body and insert into the coupling you have previously installed.

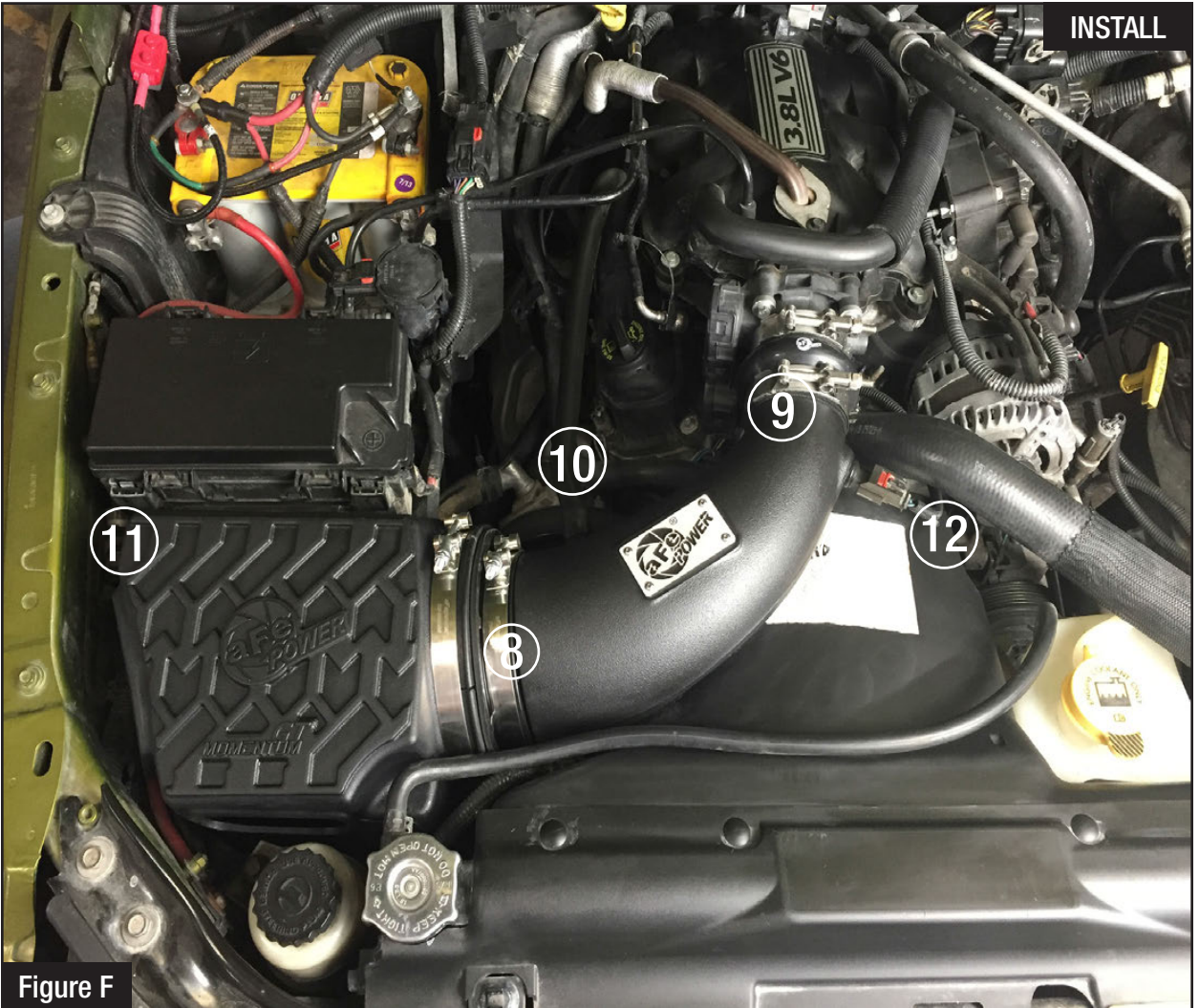


Figure F

Refer to Figure F for Steps 15-20

Step 15: Tighten medium T-Bolt clamp securing the tube to the filter (8).

Step 16: Tighten small T-bolt clamp over coupling (9).

Step 17: Reinstall CCV hose in location shown (10).

Step 18: Install the M6 bolt you removed in step 5 through the mounting tab on the housing at this time (11).

Step 19: Reconnect the temperature sensor wiring harness, then slide the red clip forward (12).

Step 20: Re-check all your work.

*Verify all connections are secure 100-200 miles after installation.



Pro DRY S Air Filter



P/N: 21-91062

Pro 5R Air Filter



P/N: 24-91062

Pro GUARD 7 Air Filter



P/N: 72-91062

Blue Squeeze Restore Kit



P/N: 90-50501

Gold Squeeze Restore Kit



P/N: 90-50500

Pro DRY S Restore Kit



P/N: 90-59999

Oil Filter



P/N: 44-LF014

Twisted Steel Headers



P/N: 48-46203

Cat-Back Exhaust System



P/N: 49-46226

Cat-Back Exhaust System



P/N: 49-48054-B

Differential Cover



P/N: 46-70162

Glide Guard



P/N: 46-79001

Warranty

General Terms:

- aFe warrants their products to be free from manufacturer's defects due to workmanship and material.
- This warranty applies only to the original purchaser of the product and is nontransferable.
- Proof of purchase of the aFe product is required for all warranty claims.
- Warranty is valid provided aFe instructions for installation and/or cleaning were properly followed.
- Proper maintenance with regular inspections of product is required to insure warranty coverage.
- Damage due to improper installation, abuse, unauthorized repair or alteration is not warranted.
- Incidental or consequential damages or cost, including installation and removal of part, incurred due to failure of aFe product is not covered under this warranty.
- All warranty is limited to the repair and/or replacement of the aFe part. To request Return Goods Authorization ("RGA"). Upon receipt of the RGA, you must return the product to the address provided in the RGA, freight prepaid and accompanied with a dated proof of purchase and the RGA. Upon receipt of the defective product and upon verification of proof of purchase, aFe will either repair or replace the defective product within a reasonable time, not to exceed thirty days.

Product Category	P/N Prefix	Warranty duration
Direct OE Replacement Filters	10, 11, 30, 31, 71, 73	Life of the vehicle
Racing Filters	18	1 year
Universal	21, 24, 72	2 years
Air Intake Systems	50, 51, 54, 55, 75	2 years
Exhaust Systems	49	2 years
Intercoolers & Intercooler Tubes	46-2	2 years
Intake Manifolds	46-1	2 years
Differential Cover	46-7	Life of the vehicle
Exhaust Manifolds	46	2 years
Throttle Body Spacers	46-3	2 years
Fluid Filters	44	90 days
Pre-Filters	28	2 years
Heavy Duty OE Replacement	70	2 years
PowerSports OE Replacement	81, 87	2 years
PowerSports Intake Systems	85	2 years

No other warranty expressed or implied applies nor is any person or advanced FLOW engineering authorized to assume any other warranty. Some States do not allow the exclusion or limitation of incidental or consequential damages or do not allow limitations on how long an implied warranty lasts, so the above limitations or exclusions may not apply to you. This warranty gives you specific legal rights, and you may also have other rights which vary from State to State.

Shop for quality aFe products on our website.

Looking for performance air intake systems? Visit our website.